

SKINTOP®

Strain Relief Cable Glands

SKINTOP® Overview	502
SKINTOP® Non-Metallic Strain Relief Cable Glands	507
SKINTOP® Metallic Strain Relief Cable Glands	520
SKINTOP® EMC Strain Relief Cable Glands	528
SKINDICHT® Cable Glands	531
Accessories & Tools	544





STRAIN RELIEF CABLE GLANDS

SKINTOP® Overview	505
Non-Metallic Strain Relief Cable Glands	
SKINTOP® SLN/SLRN Strain Relief with NPT Thread	507
SKINTOP® SL/SLR Strain Relief with PG Thread	508
SKINTOP® SLM/SLRM Strain Relief with Metric Thread	509
SKINTOP® CLICK/CLICK-R Strain Relief with Quick "CLICK" Insertion System	510
SKINTOP® ST-HF-M Halogen-Free Strain Relief with Metric Thread	511
SKINTOP® SOLAR/SOLAR (plus) Strain Relief for Photovoltaic Applications with Metric Thread	512
SKINTOP® FLEX Spiral Strain Relief with NPT, PG & Metric Thread	513
SKINTOP® CLICK FLEX Spiral Strain Relief with Quick "CLICK" Insertion System	514
SKINTOP® BT/BT-M Bell-Shaped Strain Relief with PG & Metric Thread	515
SKINTOP® K-M/KR-M ATEX plus Strain Relief according to ATEX for Hazardous Areas with Metric Thread	516
SRW Right Angle Gland 90° Elbow Cable Gland with PG Thread	517
SKINTOP® CUBE Multi-Cable Bushing System	518
Metallic Strain Relief Cable Glands	
SKINTOP® MS-NPT/MSR-NPT Nickel-Plated Brass Strain Relief with NPT Thread	520
SKINTOP® MS/MSR Nickel-Plated Brass Strain Relief with PG Thread	521
SKINTOP® MS-XL/MSR-XL Nickel-Plated Brass Strain Relief with Extended PG Thread	522
SKINTOP® MS-M/MSR-M Nickel-Plated Brass Strain Relief with Metric Thread	523
SKINTOP® MS-M-XL/MSR-M-XL Nickel-Plated Brass Strain Relief with Extended Metric Thread	524
SKINTOP® MS-M ATEX/MSR-M ATEX Nickel-Plated Brass Strain Relief according to ATEX for Hazardous Areas with Metric Thread	525

SKINTOP® INOX/INOX-R
Stainless Steel Strain Relief with Metric Thread

526

SKINTOP® COLD/COLD-R
Nickel-Plated Brass Strain Relief For Extreme Sub-Zero Temperatures with Metric Thread

527

EMC Strain Relief Cable Glands

SKINTOP® MS-SC
Nickel-Plated Brass Strain Relief for EMC Applications with NPT, PG & Metric Thread

528

SKINTOP® MS-NPT BRUSH/MS-M BRUSH
Nickel-Plated Brass Strain Relief for EMC Applications with NPT & Metric Thread

530

SKINDICHT® Cable Glands

SKINDICHT® CN/CN-M
Chromium-Nickel Steel Strain Relief with PG & Metric Thread

531

SKINDICHT® SVRE/SVRE-M
Nickel-Plated Brass Cable Clamp with PG & Metric Thread

532

SKINDICHT® SH
Nickel-Plated Brass Cable Clamp with Single Saddle Clamp and PG Thread

533

SKINDICHT® SHZ/SHZ-M
Nickel-Plated Brass Cable Clamp with Single Saddle Clamp and Additional Sealing, PG & Metric Thread

534

SKINDICHT® SK
Nickel-Plated Brass Strain Relief with Double Saddle Clamp and PG Thread

535

SKINDICHT® SKZ/SKZ-M
Nickel-Plated Brass Strain Relief with Double Saddle Clamp with Additional Sealing, PG & Metric Thread

536

SKINDICHT® SHV
Nickel-Plated Brass Strain Relief with Sealing Capability up to 300ft (10 Bar), PG Thread

537

SKINDICHT® SHV-M
Nickel-Plated Brass Strain Relief with Sealing Capability up to 300ft (10 Bar), Metric Thread

538

SKINDICHT® SHVE/SHVE-M
Nickel-Plated Brass Strain Relief with Earthing Sleeve for EMI Protection, PG & Metric Thread

539

SKINDICHT® SR/SR-M
Nickel-Plated Brass Strain Relief with Single Saddle Clamp and Special Neoprene Bushing, PG & Metric Thread

541

SKINDICHT® RWV
Die-Cast Zinc 90° Elbow Strain Relief with PG Thread

543

Accessories & Tools

SKINTOP® GMP-GL/GMP-HF Locknuts
Hexagonal Locknuts for NPT, PG & Metric Strain Relief Cable Glands

544

SKINDICHT® SM Locknuts
Nickel-Plated Brass Locknuts for NPT, PG & Metric Strain Relief Cable Glands

545

SKINDICHT® SM-PE Locknuts
Nickel-Plated Brass Grounding Locknuts for PG & Metric Strain Relief Cable Glands

546

SKINTOP®

Strain Relief
Cable Glands





SKINTOP® BRUSH Add-on EMC Fitting for Polyamide Cable Glands with Metric Threads	547
SKINTOP® DIX Bushings Multiple Cable Sealing Bushing for PG & Polyamide NPT Strain Relief Cable Glands	548
SKINTOP® DIX-DV Inserts Inserts for SKINTOP® DIX NPT, PG & Metric	548
SKINTOP® DIX-M Bushings Multiple Cable Sealing Bushing for Metric & Metallic NPT Strain Relief Cable Glands	549
SKINTOP® SD/DV Dust- & Moisture-Proof Plugs for NPT, PG & Metric Strain Relief Cable Glands	550
SKINDICHT® BL/BL-M Hole Plugs Brass Plugs for use in PG and Metric Threaded Holes	551
SKINDICHT® BLK/BLK-M Hole Plugs Plastic Plugs for use in PG and Metric Threaded Holes	551
SKINTOP® CLICK BLK Polyamide Plugs for use in Metric Sized Mounting Holes	552
SKINDICHT® MR/MR-M Reducers Nickel-Plated Brass Reducers for PG and Metric SKINTOP® Cable Glands	552
SKINDICHT® KU/KUS Reducers Polyamide Reducers for PG SKINTOP® Cable Glands	553
SKINDICHT® ME/ME-M Enlargers Nickel-Plated Brass for PG & Metric SKINTOP® Cable Glands	553
PG/NPT Adapters Male PG to Female NPT Adapters	554
NPT/PG Adapters Male NPT to Female PG Adapters	554
SKINDICHT® MA-M/NPT Adapters Male Metric to Female NPT Adapters	554
SKINDICHT® MA-M/PG Adapters Male Metric to Female PG Adapters	554
SKINDICHT® ZS-M/PG Adapters Male Metric to Female PG Adapters	554
SKINDICHT® MA-PG/M Adapters Male PG to Female Metric Adapters	555
SKINDICHT® A-PG/M Adapters Male PG to Female Metric Adapters	555
SKINDICHT® E Sealing Rings Polychloroprene Incised Sealing Rings for PG & Metric Cable Glands	556
SKINDICHT® O-Rings: PG Perbunan®, PTFE & Viton®	557
SKINDICHT® O-Rings: Metric Perbunan®, PTFE & Viton®	558
SKINMATIC® RZ Wrench For SKINTOP® Strain Relief Cable Glands	559

SKINMATIC® MH-Set

Mounting Tools for SKINTOP® Brass Series

PTS4 Wire Stripper

Strips Single Conductors from 24 AWG to 12 AWG

BULLI Cable Shears

Cuts Fine Wire Cables up to 6 AWG

KS 15 Cable Shears

Cuts Copper and Aluminum Cables with Outer Diameters up to 15 mm (0.59 in)

SKINMATIC® KB-M

Multi-Purpose Tap

SKINDICHT® SB-M

Spiral Drill

SKINDICHT® GB-M

Tap for Cutting Metric Threads

Adjustable Torque Screwdriver

559

SKINTOP®

559

**Strain Relief
Cable Glands**

559

560

560

560

560

560



Strain Relief Cable Glands in Other Catalog Sections

SKINDICHT® SVF & SVFK

For Flat & Festoon Cable

143

Non-Metallic Strain Relief Cable Glands



Standard Dome
NPT, PG & Metric
page 507



SKINTOP® CLICK
Metric
page 510



SKINTOP® FLEX
NPT, PG & Metric
page 513



SKINTOP® CLICK FLEX
Metric
page 514



SKINTOP® BT
Metric
page 515



SKINTOP®
Halogen-Free
Metric
page 511



SKINTOP® SOLAR
Metric
page 512



SKINTOP® K-M ATEX plus
Metric
page 516



Right Angle Gland SRW
PG
page 517



Locknuts
NPT, PG & Metric
page 544

Metallic Strain Relief Cable Glands



Standard Dome
NPT, PG & Metric
page 520



SKINTOP® MS-M ATEX
Metric
page 525



SKINTOP® INOX
Stainless Steel
Metric
page 526



SKINTOP® COLD
Metric
page 527



Locknuts
NPT, PG & Metric
page 545

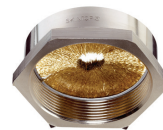
EMC Strain Relief Cable Glands



SKINTOP® MS-SC
NPT, PG & Metric
page 528

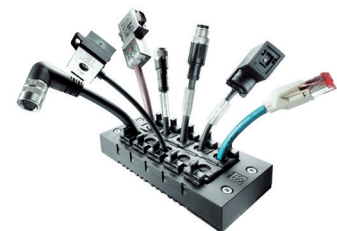


SKINTOP® BRUSH
NPT & Metric
page 530



SKINTOP® BRUSH
Add-on
Metric
page 547

Multi-Cable Bushing System



SKINTOP® CUBE
page 518

SKINDICHT® Strain Relief Cable Glands



SKINDICHT® CN
PG & Metric
page 531



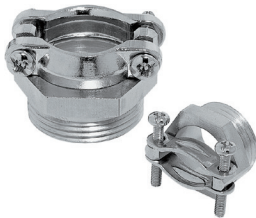
SKINDICHT® SVRE
PG & Metric
page 532



SKINDICHT® SH
PG
page 533



SKINDICHT® SHZ
PG & Metric
page 534



SKINDICHT® SK
PG
page 535



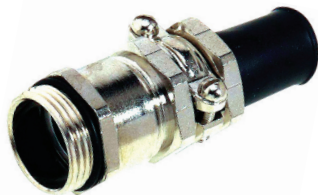
SKINDICHT® SKZ
PG & Metric
page 536



SKINDICHT® SHV
PG & Metric
page 537



SKINDICHT® SHVE
PG & Metric
page 539



SKINDICHT® SR
PG & Metric
page 541

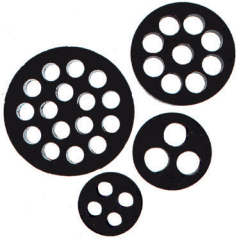


SKINDICHT® RWV
PG
page 543



Locknuts
PG & Metric
page 545

Accessories



SKINTOP® DIX Bushings
NPT, PG & Metric
page 548



Plugs
NPT, PG & Metric
page 550



Hole Plugs
PG & Metric
page 551



SKINTOP® CLICK BLK
Metric
page 552



Reducers & Enlargers
PG & Metric
page 552



Adapters
NPT, PG & Metric
page 554



Sealing Rings
PG & Metric
page 556



O-rings
PG & Metric
page 557

Tools



SKINMATIC® RZ Wrench
page 559



SKINMATIC® MH-Set
page 559



PTS4 Wire Stripper
page 559



BULLI Cable Shears
page 559



KS 15 Cable Shears
page 560

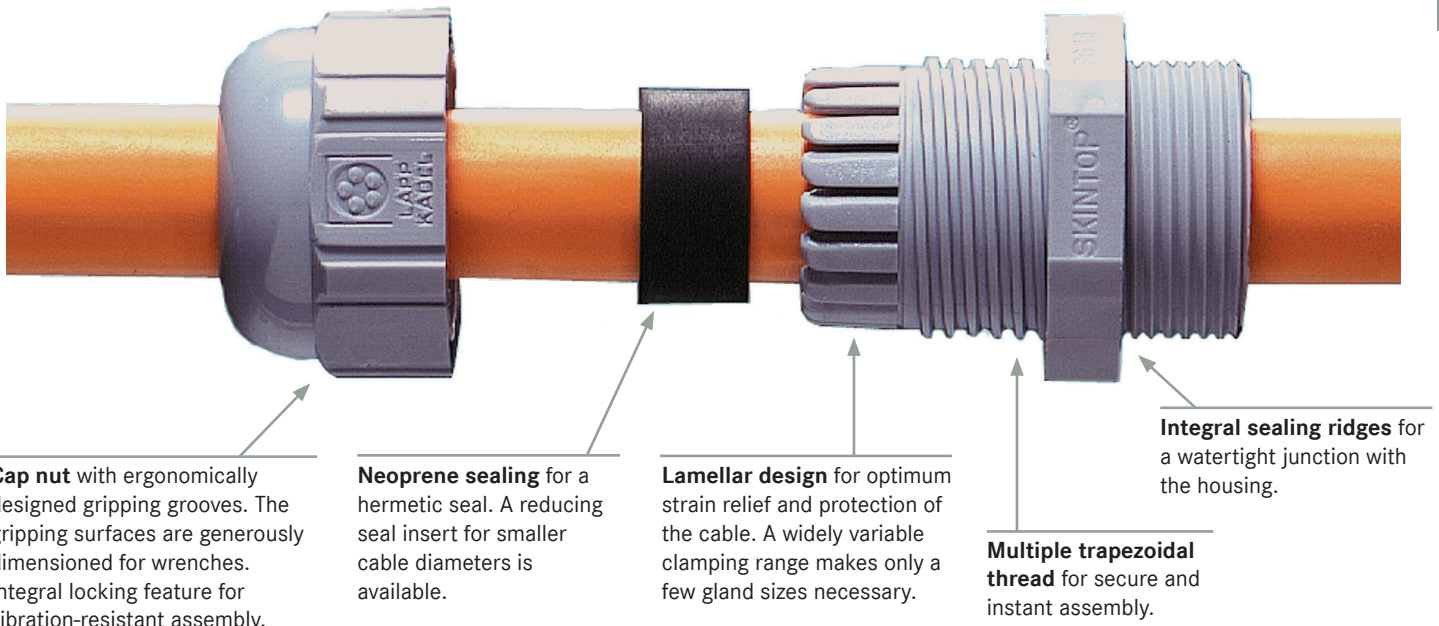


Cutting & Drilling Tools
page 560

**Adjustable Torque
Screwdriver**
page 560



SKINTOP® Overview



Shown here are the carefully matched components of the SKINTOP® screw-type cable glands. These parts guarantee maximum reliability.

With SKINTOP® you can install the cable in an instant: just feed the cable in and turn the nut until tight. Your cable is centered, hermetically sealed, and completely strain relieved with a turn of the hand. If you do not wish to use your hands, you can work with a spanner wrench or SKINMATIC® RZ tool. Either way, with SKINTOP® you can achieve maximum reliability. SKINTOP® quality is continuously monitored to ensure a level of reliability that has resulted in many international approvals.

Resistance Properties

Rated Temperature:

- SKINTOP® NPT & PG:	-20°C to +80°C
- SKINTOP® Metric:	
- static:	-40°C to +100°C
- dynamic:	-20°C to +100°C

Chemical Resistance:*

+	Alcohols
+	Aromatic hydrocarbons
+	Ethers
+	Benzene
o	Chlorinated hydrocarbons
+	Esters
+	Grease, animal/vegetable
+	Fluorinated hydrocarbons
+	Ketones
+	Motor fuels
+	Weak alkali solutions
-	Strong alkali solutions
+	Petroleum oils
+	Weak acids
-	Strong acids
+	Trichloroethylene

Testing:

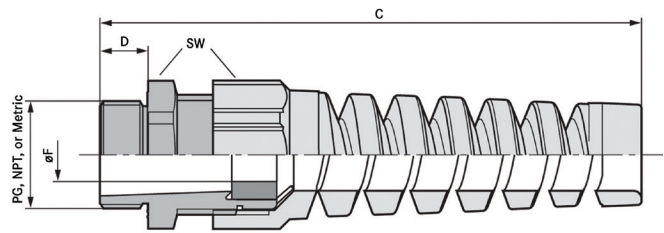
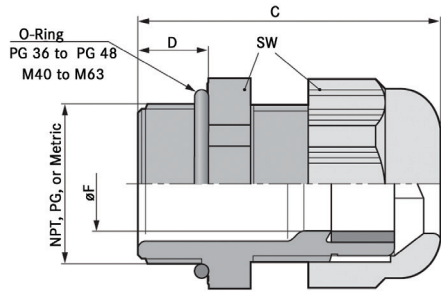
- Test temperature:	SKINTOP® Incandescent wire test to IEC 695, Part 2-1: 750°C
- Strain relief:	to DIN VDE 0619
- Protection class:	IP68*
	Tested to DIN 40050 & 40052

Approvals:

UL #E146370
CSA #LR50370-10
VDE #57986 (metric threads)
SEV #100989

* Additional and more detailed information on chemical resistance of plastics can be found in the Technical section on page 713.

SKINTOP® Overview

Patented Security:

Patent # P-2631996

International Approvals:





UL # E146370

CSA # LR50370-10

Metric: VDE # 57986

SEV # 100989

■ Technical Data

 Material:	Polyamide: flame retardant, self-extinguishing nylon with CR bushing
 Temperature Range:	
- NPT & PG:	-20°C to +80°C up to +100°C (short term)
- Metric:	-20°C to +100°C
 IP Protection:	up to 70 PSI IP68 (Ingress Protection), comparable to NEMA 6 classification Dust protection Water protection
- Seal*:	
- First digit (0 - 6):	Dust protection
- Second digit (0 - 9K):	Water protection
 Resistance:	Salt water, weak acids, weak alkalis, alcohol, ester, ketones, ether, benzene, gas, mineral oil, animal and vegetable oils, gasoline, oil, grease, and common solvents.

SKINTOP® meets the most stringent demands of safety and operational reliability. SKINTOP® products can be used in panels, switches, control boxes, submersible pumps, appliances, and many other machine tool applications.

SKINTOP® glands provide both strain relief and a liquid-tight seal – all in one connector.

■ Optimum Seal

Complete liquid-tightness is achieved with a uniquely designed molded sealing ring and flange nut combined with a neoprene bushing and domed sealing cap.

* All IP ratings are dependent on proper installation by the user.

■ Unique Design

SKINTOP® outperforms traditional connectors because the design consists of three parts, which do not require dismantling before use.

The internal ratchet mechanism allows the cap to be tightened without twisting the cord as it compresses. In tightening the cap, the lamellar fingers are pushed together to form a liquid-tight seal with the neoprene compression bushing.

■ Vibration-Proof Protection

An integrated locking mechanism includes an internal ratchet inside the sealing portion of the cord grip. This provides a self-locking and vibration-proof element that prevents the cap from loosening even when subjected to severe vibration.

■ Quick Installation

The multi-trapezoidal thread requires just one twist to tighten the dome cap, automatically adjusting to the size of the cable and providing optimum strain relief and a liquid-tight seal.

■ Durability

SKINTOP® incorporates a heavy duty design that provides greater pullout strength and very reliable strain relief.

■ Easier Handling

Larger ergonomic design and ridges in the dome cap provide easy gripping and mounting by hand or wrench.

■ Larger Variable Clamping Range

The uniquely designed lamellar fingers, combined with the optional reducer bushing, accommodates a broad range of cord and cable diameters. This results in a lower number of connectors required in inventory.

■ Resistant to Impact at Low Temperatures

SKINTOP® cable glands can withstand impact at low temperatures of -20°C.

SKINTOP® SLN/SLRN
Strain Relief with NPT Thread

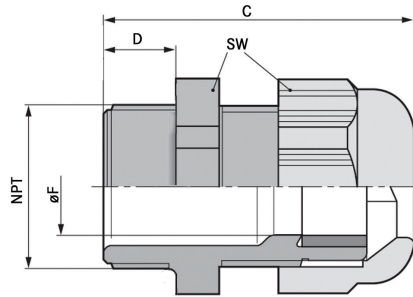
Similar Products

- SKINTOP® FLEX

Complete the Installation

SKINTOP® DIX
Bushing:
page 548

Plugs:
page 550



SKINTOP® SLN/SLRN is a durable, liquid-tight, easy-to-assemble strain relief cable gland with NPT thread that is universally suited for all types of machinery & equipment, including automation, motion control, process control, and robotics.

Approvals



Application Advantage

- The heavy duty SKINTOP® design provides great pullout strength and very reliable strain relief
- Superior integrated locking mechanism includes an internal ratchet for vibration-proof protection
- Multi-trapezoidal thread requires just one twist to tighten
- Generous high-quality neoprene bushing provides a liquid-tight and dust-proof hermetic seal

Technical Data

Material:	- Body: Polyamide - Bushing: CR	Color:	Black (RAL 9005), UV resistant Gray (RAL 7001)
Locknuts:	Add GMP Locknuts, page 544	Protection:	70 PSI - Seal: IP68, 5 bar (Exceeds NEMA 6/6P pressure rating)
Temperature Range:	- Static: -40°C to +80°C - Dynamic: -20°C to +80°C		

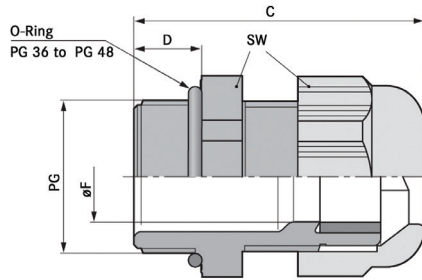
Part Number	Thread Type & Size	UL Status	øF Clamping Range		SW Wrenching Flats	C Overall Length	D Thread Length	Standard Pack Size
			(inches)	(mm)				
SKINTOP® SLN: Standard								
S2138	NPT 3/8"	Recognized	0.138 - 0.315	3.5 - 8.0	0.748	1.693	0.591	100
S2112	NPT 1/2"	Listed	0.197 - 0.472	5.0 - 12.0	0.945	1.772	0.591	100
S2134	NPT 3/4"	Listed	0.512 - 0.709	13.0 - 18.0	1.299	2.087	0.591	50
S2101	NPT 1"	Listed	0.748 - 1.000	19.0 - 25.4	1.654	2.362	0.591	25
SKINTOP® SLRN: Reducer Bushing								
S2238	NPT 3/8"	Recognized	0.079 - 0.236	2.0 - 6.0	0.748	1.693	0.591	100
S2212	NPT 1/2"	Listed	0.157 - 0.354	4.0 - 9.0	0.945	1.772	0.591	100
S2234	NPT 3/4"	Listed	0.354 - 0.630	9.0 - 16.0	1.299	2.087	0.591	50
S2201	NPT 1"	Listed	0.551 - 0.827	14.0 - 21.0	1.654	2.362	0.591	25

Orders of 2000 pieces or more per item will be bulk packaged unless otherwise requested.

Photographs are not to scale and are not true representations of the products in question.
For current information go to our website. If not otherwise specified, all values relating to the product are nominal values.

SKINTOP® SL/SLR

Strain Relief with PG Thread



Similar Products

- SKINTOP® FLEX

Complete the Installation

SKINTOP® DIX Bushing: page 548

Plugs: page 550

SKINTOP® SL/SLR is a durable, liquid-tight, easy-to-assemble strain relief cable gland with PG thread that is universally suited for all types of machinery & equipment, including automation, motion control, process control and robotics.

Approvals



Application Advantage

- The heavy duty SKINTOP® design provides great pullout strength and very reliable strain relief
- Superior integrated locking mechanism includes an internal ratchet for vibration-proof protection
- Multi-trapezoidal thread requires just one twist to tighten
- Generous high-quality neoprene bushing provides a liquid-tight and dust-proof hermetic seal

Technical Data

Material:		Color:	Black (RAL 9005), UV resistant Gray (RAL 7001)
- Body:	Polyamide		
- Bushing:	CR		
Locknuts:	Included	IP Protection:	70 PSI IP68, 5 bar (Exceeds NEMA 6/6P pressure rating)
		- Seal:	
Temperature Range:			
- Static:	-40°C to +80°C		
- Dynamic:	-20°C to +80°C		

Part Number	Thread Type & Size	UL Status	øF Clamping Range		SW Wrenching Flats (inches)	C Overall Length (inches)	D Thread Length (inches)	Standard Pack Size
			(inches)	(mm)				
SKINTOP® SL: Standard								
S2107	PG 7	Recognized	0.098 - 0.256	2.5 - 6.5	0.591	1.260	0.315	100
S2109	PG 9	Recognized	0.138 - 0.315	3.5 - 8.0	0.748	1.417	0.315	100
S2111	PG 11	Recognized	0.157 - 0.394	4.0 - 10.0	0.866	1.496	0.315	100
S2113	PG 13	Listed	0.236 - 0.472	6.0 - 12.0	0.945	1.614	0.354	100
S2116	PG 16	Listed	0.354 - 0.551	9.0 - 14.0	1.063	1.732	0.394	50
S2121	PG 21	Listed	0.512 - 0.709	13.0 - 18.0	1.299	1.929	0.433	50
S2129	PG 29	Recognized	0.551 - 0.984	14.0 - 25.0	1.654	2.205	0.433	25
S2136	PG 36	Listed	0.945 - 1.260	24.0 - 32.0	2.087	2.598	0.512	10
S2142	PG 42	Recognized	1.378 - 1.496	35.0 - 38.0	2.362	2.677	0.512	5
S2148	PG 48	Listed	1.535 - 1.732	39.0 - 44.0	2.559	2.717	0.551	5
SKINTOP® SLR: Reducer Bushing								
S2207	PG 7	Recognized	0.059 - 0.197	1.5 - 5.0	0.591	1.260	0.315	100
S2209	PG 9	Recognized	0.079 - 0.236	2.0 - 6.0	0.748	1.417	0.315	100
S2211	PG 11	Recognized	0.079 - 0.276	2.0 - 7.0	0.866	1.496	0.315	100
S2213	PG 13	Listed	0.157 - 0.354	4.0 - 9.0	0.945	1.614	0.354	100
S2216	PG 16	Listed	0.236 - 0.472	6.0 - 12.0	1.063	1.732	0.394	50
S2221	PG 21	Listed	0.354 - 0.630	9.0 - 16.0	1.299	1.929	0.433	50
S2229	PG 29	Recognized	0.433 - 0.787	11.0 - 20.0	1.654	2.205	0.433	25
S2236	PG 36	Listed	0.669 - 1.024	17.0 - 26.0	2.087	2.598	0.512	10
S2242	PG 42	Recognized	0.866 - 1.220	22.0 - 31.0	2.362	2.677	0.512	5
S2248	PG 48	Listed	1.024 - 1.378	26.0 - 35.0	2.559	2.717	0.551	5

Orders of 2000 pieces or more per item will be bulk packaged unless otherwise requested.

Photographs are not to scale and are not true representations of the products in question. For current information go to our website. If not otherwise specified, all values relating to the product are nominal values.

SKINTOP® SLM/SLRM
Strain Relief with Metric Thread

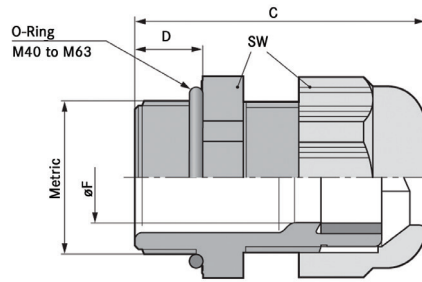
Similar Products

- SKINTOP® FLEX

Complete the Installation

SKINTOP®
BRUSH Add-on:
page 547

Plugs:
page 550



SKINTOP® SLM/SLRM is a durable, liquid-tight, easy-to-assemble strain relief cable gland with metric thread that is universally suited for all types of machinery & equipment, including automation, motion control, process control, and robotics.

Application Advantage

- The heavy duty SKINTOP® design provides great pullout strength and very reliable strain relief
- Superior integrated locking mechanism includes an internal ratchet for vibration-proof protection
- Multi-trapezoidal thread requires just one twist to tighten
- Generous high-quality neoprene bushing provides a liquid-tight and dust-proof hermetic seal

Approvals



Technical Data

Material:	- Body: Polyamide - Bushing: CR	Color:	Black (RAL 9005), UV resistant Gray (RAL 7001)
Locknuts:	Included	Protection:	70 PSI - Seal: IP69K IP68, 5 bar (Exceeds NEMA 6/6P pressure rating)
Temperature Range:	- Static: -40°C to +100°C - Dynamic: -20°C to +100°C		

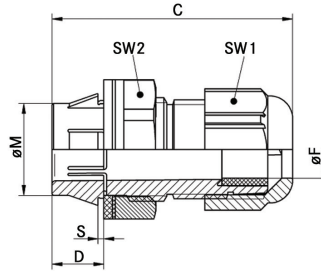
Part Number	Thread Type & Size	UL Status	øF Clamping Range (mm)	SW Wrenching Flats (inches)	C Overall Length (inches)	D Thread Length (inches)	Standard Pack Size		
Black	Gray		(inches)						
SKINTOP® SLM: Standard									
S2507	S1507	M12 x 1.5	Recognized	0.138 - 0.276	3.5 - 7.0	0.591	1.181	0.315	100
S2509	S1509	M16 x 1.5*	Recognized	0.177 - 0.394	4.5 - 10.0	0.748	1.339	0.315	100
S2513	S1513	M20 x 1.5*	Listed	0.276 - 0.512	7.0 - 13.0	0.984	1.457	0.354	100
S2516	S1516	M25 x 1.5*	Listed	0.354 - 0.669	9.0 - 17.0	1.181	1.575	0.394	50
S2521	S1521	M32 x 1.5	Listed	0.433 - 0.827	11.0 - 21.0	1.417	1.850	0.394	25
S2529	S1529	M40 x 1.5	Listed	0.748 - 1.102	19.0 - 28.0	1.811	2.047	0.394	10
S2536	S1536	M50 x 1.5	Listed	1.063 - 1.378	27.0 - 35.0	2.165	2.441	0.472	5
S2542	S1542	M63 x 1.5	Listed	1.339 - 1.772	34.0 - 45.0	2.598	2.795	0.472	5
SKINTOP® SLRM: Reducer Bushing									
S2607	S1607	M12 x 1.5	Recognized	0.039 - 0.197	1.0 - 5.0	0.591	1.181	0.315	100
S2609	S1609	M16 x 1.5*	Recognized	0.079 - 0.276	2.0 - 7.0	0.748	1.339	0.315	100
S2613	S1613	M20 x 1.5*	Listed	0.197 - 0.394	5.0 - 10.0	0.984	1.457	0.354	100
S2616	S1616	M25 x 1.5*	Listed	0.236 - 0.512	6.0 - 13.0	1.181	1.575	0.394	50
S2621	S1621	M32 x 1.5	Listed	0.276 - 0.591	7.0 - 15.0	1.417	1.850	0.394	25
S2629	S1629	M40 x 1.5	Listed	0.591 - 0.906	15.0 - 23.0	1.811	2.047	0.394	10
S2636	S1636	M50 x 1.5	Listed	0.866 - 1.142	22.0 - 29.0	2.165	2.441	0.472	5
S2642	S1642	M63 x 1.5	Listed	1.102 - 1.535	28.0 - 39.0	2.598	2.795	0.472	5

* Metric sizes M16, M20, and M25 also available in an extended thread version. To maintain UL rating, please use a locknut. Orders of 2000 pieces or more per item will be bulk packaged unless otherwise requested.

Photographs are not to scale and are not true representations of the products in question. For current information go to our website. If not otherwise specified, all values relating to the product are nominal values.

SKINTOP® CLICK/CLICK-R

Strain Relief with Quick "CLICK" Insertion System



Similar Products

- SKINTOP® CLICK FLEX

Complete the Installation

SKINTOP® DIX Bushing: page 548

Plugs: page 550

SKINTOP® CLICK is an innovative cable insertion system that provides fast, highly flexible assembly. Easy snap-in-place installation results in fixed, centered, strain relief with maximum protection in seconds. Mounting hole is based on metric thread.

Recommended Applications:

Applications where locknut installation is difficult to reach or to secure, such as dual wall enclosures and temperature controlled assemblies where insulation is used

Application Advantage

- Up to 70% installation time savings due to innovative CLICK system
- Ideal for hard-to-reach dual wall enclosures and limited access spaces
- Reduced inventory as no locknuts are required
- The heavy duty SKINTOP® design provides great pullout strength and very reliable strain relief
- Superior integrated locking mechanism includes an internal ratchet for vibration-proof protection

Approvals



Accessories



1 disassembly tool included per pack

Technical Data

Material:	- Body: Special polyamide - Seal: Special elastomer	Color:	Black (RAL 9005), UV resistant Gray (RAL 7001)
Temperature Range:	- Static: -40°C to +100°C - Dynamic: -20°C to +100°C	IP Protection:	- M12: IP68, 4 bar - M16 to M32: IP68, 5 bar (Exceeds NEMA 6/6P pressure rating)

Part Number*	Mounting Hole Size	UL Status	øF Clamping Range (inches)	øF Clamping Range (mm)	SW1/SW2 Wrenching Flats (inches)	C Overall Length (inches)	D Thread Length (inches)	øM Hole (inches)	Standard Pack Size
SKINTOP® CLICK: Standard									
53112923	M12	Recognized	0.138 - 0.276	3.5 - 7.0	0.591/0.709	1.576	0.315	0.484 (-.008)	50
53112882	M16	Recognized	0.197 - 0.354	5.0 - 9.0	0.748/0.866	1.654	0.315	0.642 (-.008)	50
53112883	M20	Listed	0.276 - 0.512	7.0 - 13.0	0.985/1.063	1.792	0.315	0.799 (-.008)	25
53112884	M25	Listed	0.354 - 0.669	9.0 - 17.0	1.182/1.339	1.910	0.315	0.996 (-.008)	25
53112924	M32	Listed	0.433 - 0.827	11.0 - 21.0	1.417/1.576	2.167	0.315	1.272 (-.008)	25
SKINTOP® CLICK-R: Reducer Bushing									
53112929	M12	Recognized	0.039 - 0.197	1.0 - 5.0	0.591/0.709	1.576	0.315	0.484 (-.008)	50
53112885	M16	Recognized	0.157 - 0.276	4.0 - 7.0	0.748/0.866	1.654	0.315	0.642 (-.008)	50
53112886	M20	Listed	0.197 - 0.394	5.0 - 10	0.985/1.063	1.792	0.315	0.799 (-.008)	25
53112887	M25	Listed	0.236 - 0.512	6.0 - 13	1.182/1.339	1.910	0.315	0.996 (-.008)	25
53112931	M32	Listed	0.276 - 0.591	7.0 - 15	1.417/1.576	2.167	0.315	1.272 (-.008)	25

*Suitable for wall thickness of 1 - 4 mm (0.039 - 0.157 inches)

Photographs are not to scale and are not true representations of the products in question. For current information go to our website. If not otherwise specified, all values relating to the product are nominal values.

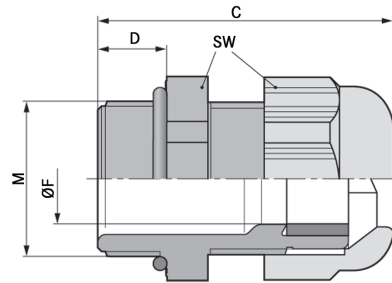
SKINTOP® ST-HF-M

Halogen-Free Strain Relief with Metric Thread

Complete the Installation



SKINTOP®
GMP-HF:
page 544



SKINTOP® ST-HF-M is an easy-to-assemble, halogen-free, metric cable gland for use when personal and property protection is a priority such as public buildings, underground railways, mass transportation systems, ventilation systems, and industrial plants.

Application Advantage

- Completely halogen-free providing safe LSZH performance
- Extremely flame-retardant and self-extinguishing with no dripping
- The heavy duty SKINTOP® design provides great pullout strength and very reliable strain relief
- Superior integrated locking mechanism includes an internal ratchet for vibration-proof protection
- Multi-trapezoidal thread requires just one twist to tighten

Approvals



Technical Data

Material:		Color:	Light gray (RAL 7035)
- Body:	Halogen-free polyamide, V-0 per UL 94	IP Protection:	IP68, 5 bar (Exceeds NEMA 6/6P pressure rating)
- Bushing:	Halogen-free		
- O-ring:	Halogen-free		
Temperature Range:	-20°C to +100°C		

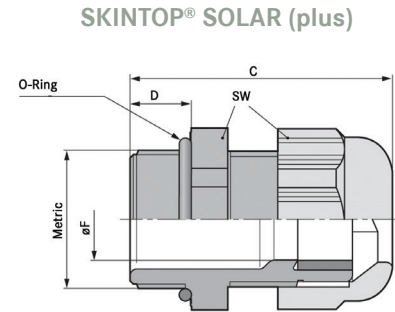
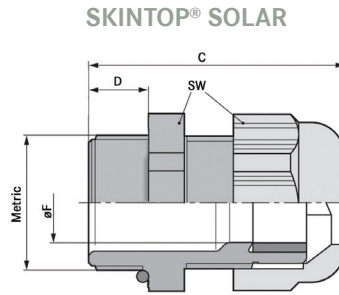
Part Number	Thread Type & Size	øF Clamping Range (inches) (mm)		SW Wrenching Flats (inches)	C Overall Length (inches)	D Thread Length (inches)	Standard Pack Size
SKINTOP® ST-HF-M: Standard							
53111407	M12 x 1.5	0.157 - 0.216	4.0 - 5.5	0.591	1.182	0.315	100
53111417	M16 x 1.5	0.177 - 0.354	4.5 - 9.0	0.748	1.339	0.315	100
53111427	M20 x 1.5	0.275 - 0.512	7.0 - 13.0	0.985	1.457	0.354	100
53111437	M25 x 1.5	0.354 - 0.669	9.0 - 17.0	1.182	1.576	0.394	50
53111447	M32 x 1.5	0.433 - 0.827	11.0 - 21.0	1.418	1.851	0.394	25
53111457	M40 x 1.5	0.748 - 1.103	19.0 - 28.0	1.812	2.048	0.394	10
53111467	M50 x 1.5	1.063 - 1.379	27.0 - 35.0	2.167	2.442	0.472	5
53111477	M63 x 1.5	1.339 - 1.773	34.0 - 45.0	2.600	2.797	0.472	5

Photographs are not to scale and are not true representations of the products in question.

For current information go to our website. If not otherwise specified, all values relating to the product are nominal values.

SKINTOP® SOLAR/SOLAR (plus)

Strain Relief for Photovoltaic Applications with Metric Thread



SKINTOP® SOLAR cable glands are designed to meet the increasingly strict requirements for solar equipment. The glands are made of a specially-developed polycarbonate compound, guaranteeing excellent weather resistance in hot conditions, rain, snow or ice. SKINTOP® glands can also save space whenever multiple cables are routed to the combiner box.

Application Advantage

- UV and weather resistant per UL F1 for outdoor use
- Passes cold impact test per UL 1703/UL 764C
- Excellent strain relief
- Permanent vibration protection
- Extremely flame-retardant: V-0 per UL 94/94-5VA

Approvals



Complete the Installation



SKINTOP® DIX
Bushing:
page 548

Technical Data

Material: - SKINTOP® SOLAR: - Body: Polycarbonate - Seal: CR - SKINTOP® SOLAR (plus): - Body: Polycarbonate - Seal: Silicone - O-ring: Silicone	Color:	Black (RAL 9005), UV resistant
	Protection:	IP68, 5 bar (Exceeds NEMA 6/6P pressure rating)
	Approvals:	Passes cold impact test per UL 1703/UL 764C
	Temperature Range: - SKINTOP® SOLAR: -40 °C to +100 °C - SKINTOP® SOLAR (plus): -40 °C to +125 °C	

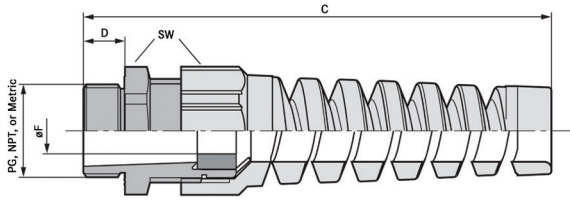
Part Number	Thread Type & Size	øF Clamping Range (inches) (mm)		SW Wrenching Flats (inches)	C Overall Length (inches)	D Thread Length (inches)	Standard Pack Size
SKINTOP® SOLAR							
53113300	M12 x 1.5	0.137 - 0.275	3.5 - 7.0	0.591	1.418	0.591	100
53113310*	M16 x 1.5	0.275 - 0.354	7.0 - 9.0	0.748	1.339	0.315	100
SKINTOP® SOLAR (plus)							
53113321	M12 x 1.5	0.137 - 0.275	3.5 - 7.0	0.591	1.418	0.591	100
53113331	M16 x 1.5	0.275 - 0.354	7.0 - 9.0	0.748	1.339	0.315	100

* UL recognized only when used with an O-ring.

Photographs are not to scale and are not true representations of the products in question. For current information go to our website. If not otherwise specified, all values relating to the product are nominal values.

SKINTOP® FLEX

Spiral Strain Relief with NPT, PG & Metric Thread



SKINTOP® FLEX is a liquid-tight, spiral strain relief that offers additional safety against overstress and conductor breakage. It is ideally suited for hand held equipment, moving machinery, and robotics.

Approvals: NPT & PG



Approvals: Metric



Application Advantage

- Superior bending protection for cable conservation and functional reliability
- The heavy duty SKINTOP® design provides great pullout strength and very reliable strain relief
- Superior integrated locking mechanism includes an internal ratchet for vibration-proof protection
- Multi-trapezoidal thread requires just one twist to tighten
- Generous high-quality neoprene bushing provides a liquid-tight and dust-proof hermetic seal

Technical Data

Material:		Color:	
- Body:	Polyamide		Black (RAL 9005), UV resistant
- Bushing:	CR		Gray (RAL 7001)
Locknuts:	Included with PG & metric sizes, NPT locknuts available, page 544	IP Protection:	70 PSI
		- Seal:	IP68, 5 bar (Exceeds NEMA 6/6P pressure rating)
Temperature Range:			
- NPT & PG:	-20°C to +80°C		
- Metric:	-20°C to +100°C		

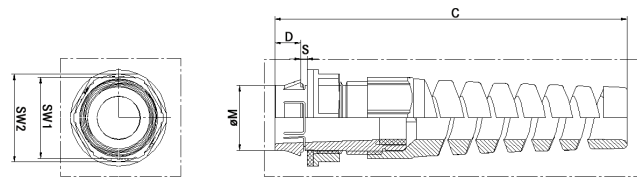
Part Number	Thread Type & Size	UL Status	øF Clamping Range		SW Wrenching Flats (inches)	C Overall Length (inches)	D Thread Length (inches)	Standard Pack Size
			(inches)	(mm)				
SKINTOP® SLN FLEX: Standard NPT								
S2338	NPT 3/8"	Recognized	0.137 - 0.315	3.5 - 8.0	0.748	3.230	0.591	100
S2312	NPT 1/2"	Listed	0.197 - 0.472	5.0 - 12.0	0.945	4.097	0.591	100
S2334	NPT 3/4"	Listed	0.512 - 0.709	13.0 - 18.0	1.300	5.240	0.591	50
SKINTOP® SLRN FLEX: Reducer NPT								
S2438	NPT 3/8"	Recognized	0.079 - 0.236	2.0 - 6.0	0.748	3.228	0.591	100
S2412	NPT 1/2"	Listed	0.157 - 0.354	4.0 - 9.0	0.945	4.094	0.591	50
S2434	NPT 3/4"	Listed	0.354 - 0.630	9.0 - 16.0	1.299	5.236	0.591	25
SKINTOP® SL FLEX: Standard PG								
S2307	PG 7	Recognized	0.098 - 0.256	2.5 - 6.5	0.591	2.442	0.315	100
S2309	PG 9	Recognized	0.137 - 0.315	3.5 - 8.0	0.748	2.895	0.315	100
S2311	PG 11	Recognized	0.157 - 0.394	4.0 - 10.0	0.866	3.388	0.315	100
S2313	PG 13	Listed	0.236 - 0.472	6.0 - 12.0	0.945	3.861	0.354	50
S2316	PG 16	Listed	0.354 - 0.551	9.0 - 14.0	1.063	4.393	0.394	25
S2321	PG 21	Listed	0.512 - 0.709	13.0 - 18.0	1.300	5.082	0.433	25
SKINTOP® SLR FLEX: Reducer PG								
S2407	PG 7	Recognized	0.059 - 0.197	1.5 - 5.0	0.591	2.441	0.315	100
S2409	PG 9	Recognized	0.079 - 0.236	2.0 - 6.0	0.748	2.894	0.315	100
S2411	PG 11	Recognized	0.079 - 0.276	2.0 - 7.0	0.866	3.386	0.315	100
S2413	PG 13	Listed	0.157 - 0.354	4.0 - 9.0	0.945	3.858	0.354	50
S2416	PG 16	Listed	0.236 - 0.472	6.0 - 12.0	1.063	4.399	0.394	25
S2421	PG 21	Listed	0.354 - 0.630	9.0 - 16.0	1.299	5.079	0.433	25
SKINTOP® SLM FLEX: Standard Metric								
S2707	M12 x 1.5	Recognized	0.137 - 0.275	3.5 - 7.0	0.591	2.521	0.315	100
S2709	M16 x 1.5	Recognized	0.177 - 0.394	4.5 - 10.0	0.748	3.388	0.315	100
S2713	M20 x 1.5	Listed	0.275 - 0.512	7.0 - 13.0	0.985	3.979	0.315	50
S2716	M25 x 1.5	Listed	0.354 - 0.669	9.0 - 17.0	1.182	4.925	0.354	25
S2721	M32 x 1.5	Listed	0.433 - 0.827	11.0 - 21.0	1.418	5.870	0.394	25

Orders of 2000 pieces or more per item will be bulk packaged unless otherwise requested.

Photographs are not to scale and are not true representations of the products in question. For current information go to our website. If not otherwise specified, all values relating to the product are nominal values.

SKINTOP® CLICK FLEX

Spiral Strain Relief with Quick "CLICK" Insertion System



SKINTOP® CLICK FLEX is an innovative cable insertion system that provides fast, highly flexible assembly. Easy snap-in-place installation results in fixed, centered, strain relief with maximum protection in seconds. Liquid-tight spiral strain relief offers additional safety against overstress and conductor breakage for applications such as hand-held equipment, moving machinery, and robotics. Mounting hole is based on metric thread.

Application Advantage

- Up to 70% installation time savings due to innovative CLICK system
- Ideal for hard-to-reach dual wall enclosures and limited access spaces
- Reduced inventory as no locknuts are required
- The heavy duty SKINTOP® design provides great pullout strength and very reliable strain relief
- Superior integrated locking mechanism includes an internal ratchet for vibration-proof protection

Approvals



Accessories



1 disassembly tool per pack included

Similar Products

- SKINTOP® FLEX

Technical Data

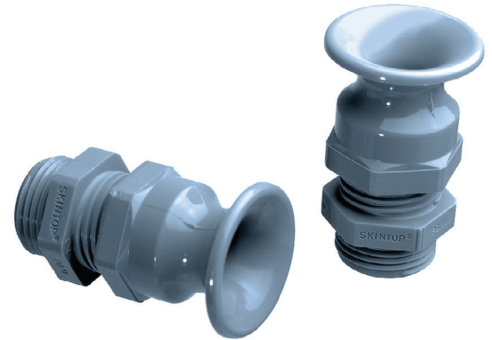
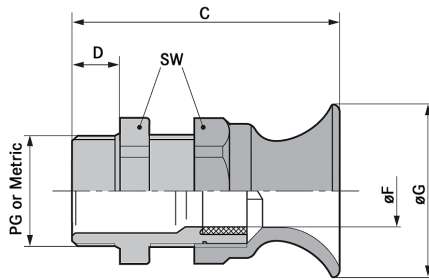
Material: - Body: Special polyamide - Seal: Special elastomer	Color: Black (RAL 9005), UV resistant Gray (RAL 7001)
Temperature Range: -20°C to +100°C	

Part Number	Mounting Hole Size	UL Status	øF Clamping Range		SW Wrenching Flats		C Overall Length (inches)	D Thread Length (inches)	øM Hole (inches)	Standard Pack Size
			(inches)	(mm)	SW1	SW2				
53112936	M12	Recognized	0.138 - 0.276	3.5 - 7.0	0.591	0.709	2.915	0.315	0.484 (-.008)	50
53112909	M16	Recognized	0.197 - 0.354	5.0 - 9.0	0.748	0.866	3.703	0.315	0.642 (-.008)	50
53112911	M20	Listed	0.276 - 0.512	7.0 - 13.0	0.985	1.063	4.255	0.315	0.799 (-.008)	25
53112912	M25	Listed	0.354 - 0.669	9.0 - 17.0	1.182	1.339	5.003	0.315	0.996 (-.008)	25
53112937	M32	Listed	0.433 - 0.827	11.0 - 21.0	1.418	1.576	6.107	0.315	1.272 (-.008)	25

Photographs are not to scale and are not true representations of the products in question. For current information go to our website. If not otherwise specified, all values relating to the product are nominal values.

SKINTOP® BT/BT-M

Bell-Shaped Strain Relief with PG & Metric Thread



The SKINTOP® BT/BT-M bell-shape provides protection against excessive bending of flexible cables and wires used on hand-held equipment, flexing machine parts, and apparatus engineering.

Approvals:



Application Advantage

- Excellent bending protection for cable protection and functional reliability
- The heavy duty SKINTOP® design provides great pullout strength and very reliable strain relief
- Superior integrated locking mechanism includes an internal ratchet for vibration-proof protection
- Multi-trapezoidal thread requires just one twist to tighten

Technical Data

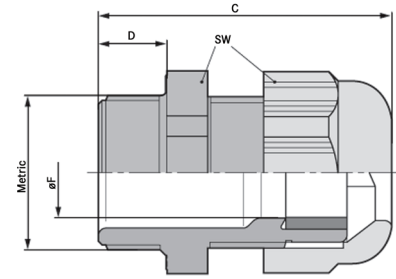
 Material:		 Color:	Gray (RAL 7001)
- Body:	Polyamide	 Protection:	IP68, 5 bar
- Bushing:	CR		(Exceeds NEMA 6/6P pressure rating)
 Temperature Range:			
- PG:	-20°C to +80°C		
- Metric:	-20°C to +100°C		

Part Number	Thread Type & Size	UL Status	øF Clamping Range		SW Wrenching Flats	C Overall Length	D Thread Length	Standard Pack Size
			(inches)	(mm)	(inches)	(inches)	(inches)	
SKINTOP® BT: PG								
53015410	PG 9	Listed	0.137 - 0.315	3.5 - 8.0	0.748	1.690	0.315	100
53015420	PG 11	Listed	0.157 - 0.394	4.0 - 10.0	0.866	1.879	0.315	100
53015430	PG 13	Listed	0.197 - 0.472	5.0 - 12.0	0.945	2.048	0.354	50
53015440	PG 16	Listed	0.354 - 0.551	9.0 - 14.0	1.063	2.202	0.394	50
53015450	PG 21	Listed	0.512 - 0.709	13.0 - 18.0	1.300	2.537	0.433	50
SKINTOP® BT-M: Metric								
53017420	M16 x 1.5	Recognized	0.137 - 0.315	3.5 - 8.0	0.748	1.773	0.472	100
53017430	M20 x 1.5	Listed	0.197 - 0.472	5.0 - 12.0	0.945	2.127	0.512	50
53017440	M25 x 1.5	Listed	0.354 - 0.551	9.0 - 14.0	0.106	2.245	0.512	50

Photographs are not to scale and are not true representations of the products in question.
For current information go to our website. If not otherwise specified, all values relating to the product are nominal values.

SKINTOP® K-M/KR-M ATEX plus

Strain Relief according to ATEX for Hazardous Areas with Metric Thread



SKINTOP® K-M/KR-M ATEX plus was developed for use in areas with risk of explosion and cables used with fail-safe circuits in housings and devices that require class "e" security. It is recommended for use in the chemical and petrochemical industry, mobile offshore, and marine applications.

Application Advantage

- Equipment Group II, Category 2G + 1D
- The heavy duty SKINTOP® design provides great pullout strength and very reliable strain relief
- Superior integrated locking mechanism includes an internal ratchet for vibration-proof protection
- Multi-trapezoidal thread requires just one twist to tighten

Approvals



Technical Data

Material:		Temperature Range:	-20°C to +80°C
- Body:	Special polyamide	Color:	Black (RAL 9005), UV resistant
- Seal:	Special elastomer		Blue (RAL 5015)
- O-ring:	CR		
Locknuts:	Not permitted	IP Protection:	IP68, 10 bar

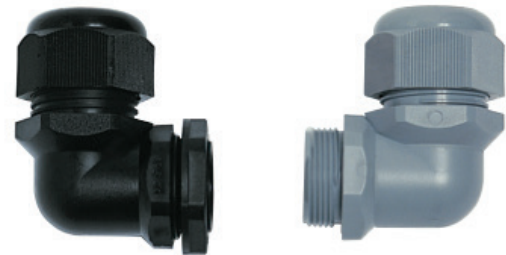
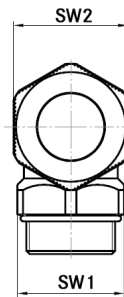
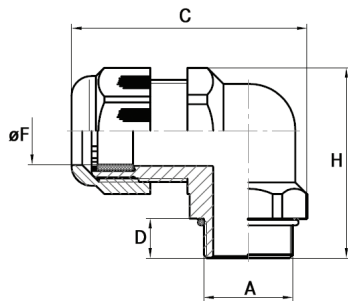
Part Number		Thread Type & Size	øF Clamping Range		SW Wrenching Flats (inches)	C Overall Length (in)		D Thread Length (inches)	Standard Pack Size
Black	Blue		(inches)	(mm)		Min.	Max.		
SKINTOP® K-M ATEX plus: Standard									
54115200	54115400	M12 x 1.5	0.118 - 0.216	3.0 - 5.5	0.591	1.044	1.182	0.315	50
54115210	54115410	M16 x 1.5	0.275 - 0.354	7.0 - 9.0	0.748	1.142	1.339	0.315	50
54115220	54115420	M20 x 1.5	0.275 - 0.512	7.0 - 13.0	0.985	1.339	1.457	0.354	50
54115230	54115430	M25 x 1.5	0.433 - 0.669	11.0 - 17.0	1.182	1.379	1.576	0.394	25
54115240	54115440	M32 x 1.5	0.472 - 0.827	12.0 - 21.0	1.418	1.536	1.851	0.394	25
54115250	54115450	M40 x 1.5	0.748 - 1.103	19.0 - 28.0	1.812	1.694	2.048	0.394	10
54115260	54115460	M50 x 1.5	1.063 - 1.379	27.0 - 35.0	2.167	2.127	2.442	0.472	5
54115270	54115470	M63 x 1.5	1.418 - 1.773	36.0 - 45.0	2.600	2.206	2.797	0.472	5
SKINTOP® KR-M ATEX plus: Reducer Bushing									
54115205	54115405	M12 x 1.5	0.078 - 0.157	2.0 - 4.0	0.591	1.044	1.182	0.315	50
54115215	54115415	M16 x 1.5	0.157 - 0.236	4.0 - 6.0	0.748	1.142	1.339	0.315	50
54115225	54115425	M20 x 1.5	0.197 - 0.394	5.0 - 10.0	0.984	1.339	1.457	0.354	50
54115235	54115435	M25 x 1.5	0.236 - 0.512	6.0 - 13.0	1.181	1.379	1.576	0.394	25
54115245	54115445	M32 x 1.5	0.354 - 0.591	9.0 - 15.0	1.417	1.536	1.851	0.394	25
54115255	54115455	M40 x 1.5	0.630 - 0.906	16.0 - 23.0	1.811	1.694	2.048	0.394	10
54115265	54115465	M50 x 1.5	0.866 - 1.142	22.0 - 29.0	2.165	2.127	2.442	0.472	5
54115275	54115475	M63 x 1.5	1.142 - 1.536	29.0 - 39.0	2.598	2.206	2.797	0.472	5

Photographs are not to scale and are not true representations of the products in question.

For current information go to our website. If not otherwise specified, all values relating to the product are nominal values.

SRW Right Angle Gland

90° Elbow Strain Relief with PG Thread



The SKINTOP® SRW right angle gland is a liquid-tight, easy-to-assemble, 90° strain relief cable gland with a PG thread.




Application Advantage

- The right angle gland is ideal wherever cables run parallel to the housing wall
- Oil- and chemical-resistant

Approvals



Technical Data

 Material:		 Color:	Black (RAL 9005), UV resistant Gray (RAL 7001)
- Body:	Polyamide		
- Bushing:	CR		
 Locknut:	Included	 Protection:	IP68, 5 bar (Exceeds NEMA 6/6P pressure rating)
 Temperature Range:	-20°C to +100°C		

Part Number	Thread Type & Size	øF Clamping Range		SW Wrenching Flats (inches)		C Overall Length (inches)	H Height (inches)	D Thread Length (inches)	Standard Pack Size	
		(inches)	(mm)	SW1	SW2					
SRW Right Angle Gland: Standard										
R2107	R1107	PG 7	0.157 - 0.315	4 - 8	0.591	0.748	1.457	1.339	0.315	100
R2109	R1109	PG 9	0.197 - 0.394	5 - 10	0.748	0.866	1.192	1.457	0.315	100
R2111	R1111	PG 11	0.236 - 0.472	6 - 12	0.866	0.945	1.930	1.548	0.315	50
R2113	R1113	PG 13	0.394 - 0.551	10 - 14	0.945	1.063	2.088	1.694	0.354	50
R2116	R1116	PG 16	0.433 - 0.669	11 - 17	1.063	1.142	2.265	1.899	0.394	50
R2121	R1121	PG 21	0.591 - 0.827	15 - 21	1.300	1.418	2.679	2.233	0.433	25
R2129	R1129	PG 29	0.827 - 1.103	21 - 28	1.654	1.812	3.408	2.679	0.433	10
SRW Right Angle Gland: Reducer Bushing										
R2207	R1207	PG 7	0.078 - 0.236	2 - 6	0.591	0.748	1.457	1.339	0.315	100
R2209	R1209	PG 9	0.118 - 0.275	3 - 7	0.748	0.866	1.192	1.457	0.315	100
R2211	R1211	PG 11	0.197 - 0.354	5 - 9	0.866	0.945	1.930	1.548	0.316	50
R2213	R1213	PG 13	0.275 - 0.472	7 - 12	0.945	1.063	2.088	1.694	0.354	50
R2216	R1216	PG 16	0.315 - 0.669	8 - 17	1.063	1.142	2.265	1.899	0.394	50
R2221	R1221	PG 21	0.472 - 0.827	12 - 21	1.300	1.418	2.679	2.233	0.433	25
R2229	R1229	PG 29	0.748 - 1.103	19 - 28	1.654	1.812	3.408	2.679	0.433	10

Photographs are not to scale and are not true representations of the products in question.
For current information go to our website. If not otherwise specified, all values relating to the product are nominal values.

SKINTOP® CUBE

Multi-Cable Bushing System

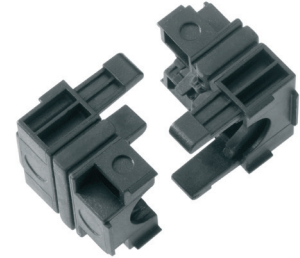
SKINTOP® CUBE



SKINTOP® CUBE Frame



SKINTOP® CUBE Modules



SKINTOP® CUBE provides an innovative approach to traditional multi-cable bushing systems, providing many great improvements and advancements including increased simplicity, ease of use, and safety.

The patented SKINTOP® CUBE flexible clip modules provide extremely quick and easy installation with far better sealing and clamping capabilities. Additionally, service to the cables is greatly simplified, as removing the frame from the enclosure is not necessary when replacing cables.

Approvals



Complete the Installation



Rectangular Hole Punch:
page 416

Application Advantage

- Faster and easier assembling and disassembling than other multi-cable bushing systems
- Cable diameters ranging from 4 - 16 mm are covered with just four SKINTOP® CUBE modules, greatly reducing inventory
- Securely fixed SKINTOP® CUBE modules can be assembled with the cable before installation in the frame
- Materials are oil, grease, UV, and ozone resistant; the perfect solution for industrial applications where harnessed cables need to be installed
- The SKINTOP® CUBE frame accommodates up to 10 cables and fits within standard 16- and 24-pole industrial connector entry holes

Technical Data

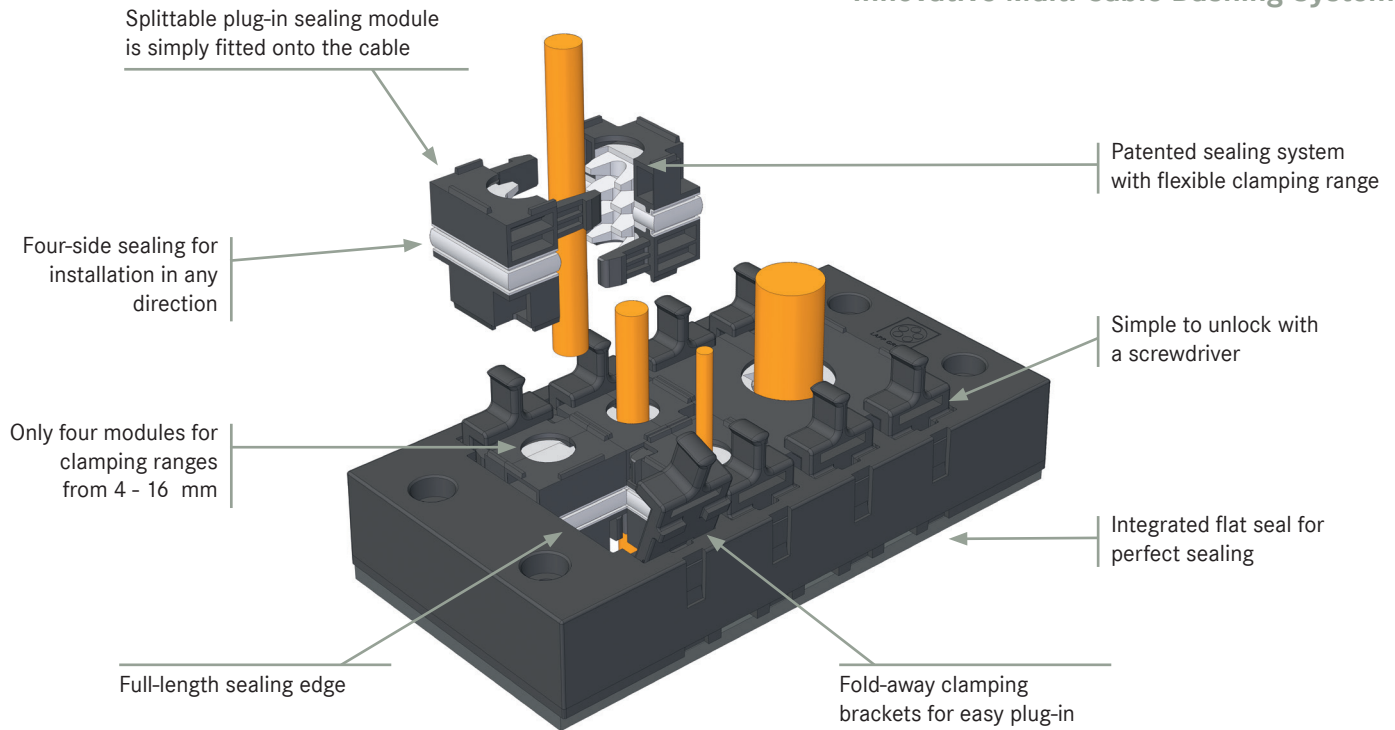
Material:	Glass fiber reinforced polyamide	Temperature Range:	-20°C to +80°C
- Frame:	CR	Color:	Black
- Frame seal:	Special polypropylene	Protection:	IP64
- Clip module:	LSE 2		

Part Number	Size	øF Clamping Range		Max. Number of Inserts	Standard Pack Size
		(inches)	(mm)		
Frame					
52220000	16 Panel Cut-out (36 x 86 mm)	—	—	8	1
52220001	24 Panel Cut-out (36 x 112 mm)	—	—	10	1
Module					
52220004	20x20 Blank Module	0.039 - 0.118	1 - 3	—	5
52220002	20x20 Small Module	0.157 - 0.236	4 - 6	—	5
52220003	20x20 Large Module	0.236 - 0.354	6 - 9	—	5
52220040	20x20 AS-i Module	ASi bus cable	ASi bus cable	—	5
52220005	40x40 Small Module	0.354 - 0.472	9 - 12	—	5
52220006	40x40 Large Module	0.472 - 0.630	12 - 16	—	5
52220007	40x40 Blank Module	—	—	—	5

Photographs are not to scale and are not true representations of the products in question. For current information go to our website. If not otherwise specified, all values relating to the product are nominal values.

SKINTOP® CUBE

Innovative Multi-Cable Bushing System

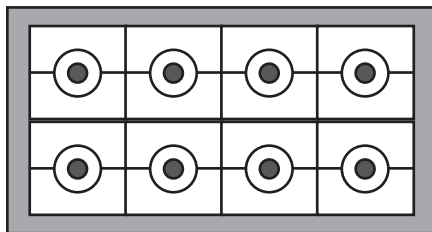


SKINTOP® CUBE Module Combinations

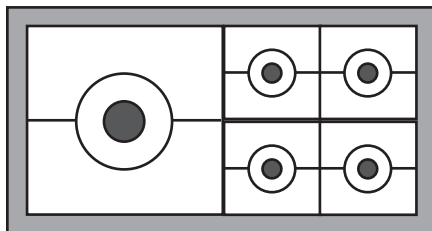
SKINTOP® CUBE 16 Frame Module

Possible Combinations:

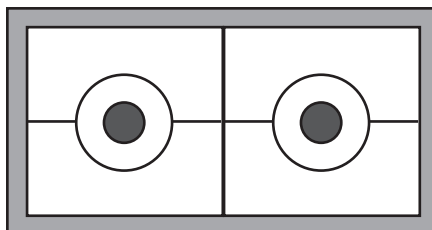
8 (20x20) modules



4 (20x20) modules, 1 (40x40) modules



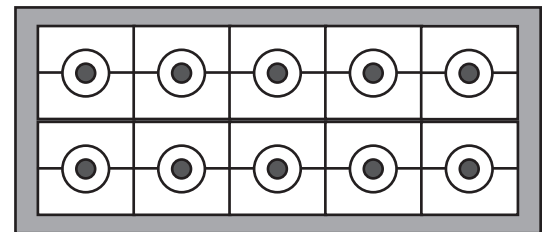
2 (40x40) modules



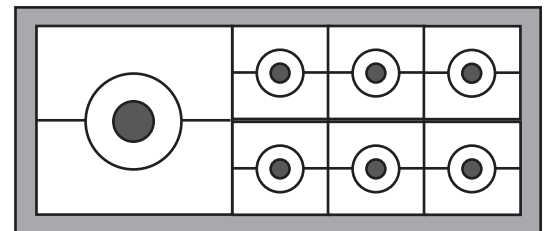
SKINTOP® CUBE 24 Frame Module

Possible Combinations:

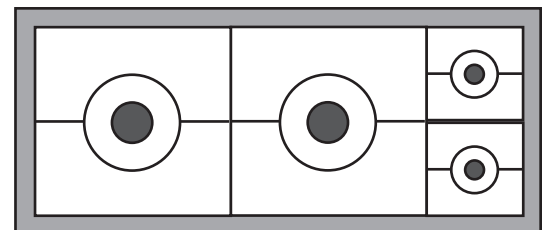
10 (20x20) modules



6 (20x20) modules, 1 (40x40) modules

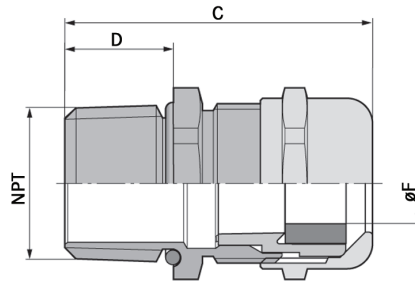


2 (20x20) modules, 2 (40x40) modules



SKINTOP® MS-NPT/MSR-NPT

Nickel-Plated Brass Strain Relief with NPT Thread



Similar Products

- SKINTOP® MS-SC-NPT

Complete the Installation

SKINTOP® DIX Bushing: page 548

Plugs: page 550

SKINTOP® MS-NPT/MSR-NPT is a superior quality, liquid-tight, metallic cable gland intended for applications where ruggedness and durability are required. These cable glands are suitable for a wide range of applications, from manufacturing machinery to measurement and control equipment, including automation and robotics.

Application Advantage

- Suitable for use in areas with high demands on mechanical and chemical stability
- The heavy duty SKINTOP® design provides great pull-out strength and very reliable strain relief
- Extended temperature range due to the nickel-plated brass body
- Generous high-quality neoprene bushing and perbunan O-ring provide a liquid-tight and dust-proof hermetic seal

Approvals



Technical Data

Material:	Nickel-plated brass	Temperature Range:	-30°C to +100°C
- Body:	Nickel-plated brass	IP Protection:	IP68, 5 bar (Exceeds NEMA 6/6P pressure rating)
- Insert:	Polyamide		
- Bushing:	CR		
- O-ring:	Perbunan® (NBR)		
Locknuts:	Add NPT metal locknuts, page 545		

Part Number	Thread Type & Size	øF Clamping Range (inches) (mm)		SW Wrenching Flats (inches)	C Overall Length (inches)	D Thread Length (inches)	Standard Pack Size
SKINTOP® MS-NPT: Standard							
53112004	NPT 1/4"	0.137 - 0.275	3.5 - 7.0	0.630	1.418	0.591	100
53112014	NPT 3/8"	0.177 - 0.394	4.5 - 10.0	0.788	1.564	0.591	100
53112024	NPT 1/2"	0.275 - 0.512	7.0 - 13.0	0.945	1.674	0.591	50
53112034	NPT 3/4"	0.354 - 0.669	9.0 - 17.0	1.142	1.753	0.591	25
53112044	NPT 1"	0.433 - 0.827	11.0 - 21.0	1.418	1.930	0.591	25
53112054	NPT 1 1/4"	0.748 - 1.103	19.0 - 28.0	1.773	2.265	0.669	10
53112064	NPT 1 1/2"	1.063 - 1.379	27.0 - 35.0	2.127	2.423	0.669	5
53112074	NPT 2"	1.339 - 1.773	34.0 - 45.0	2.639	2.501	0.669	5
SKINTOP® MSR-NPT: Reducer Bushing							
53112006	NPT 1/4"	0.039 - 0.197	1.0 - 5.0	0.630	1.418	0.591	10
53112016	NPT 3/8"	0.078 - 0.275	2.0 - 7.0	0.788	1.564	0.591	100
53112026	NPT 1/2"	0.197 - 0.394	5.0 - 10.0	0.945	1.674	0.591	50
53112036	NPT 3/4"	0.236 - 0.512	6.0 - 13.0	1.142	1.753	0.591	25
53112046	NPT 1"	0.275 - 0.591	7.0 - 15.0	1.418	1.930	0.591	25
53112056	NPT 1 1/4"	0.591 - 0.906	15.0 - 23.0	1.773	2.265	0.669	10
53112066	NPT 1 1/2"	0.866 - 1.142	22.0 - 29.0	2.127	2.423	0.669	5
53112076	NPT 2"	1.103 - 1.536	28.0 - 39.0	2.639	2.501	0.669	5

Perbunan® is a registered trademark of BAYER AG. Photographs are not to scale and are not true representations of the products in question. For current information go to our website. If not otherwise specified, all values relating to the product are nominal values.

SKINTOP® MS/MSR

Nickel-Plated Brass Strain Relief with PG Thread

Similar Products

- SKINTOP® MS-SC PG

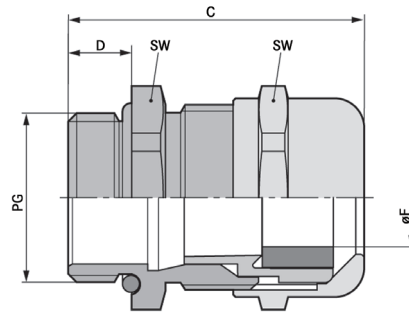
Complete the Installation



SKINTOP® DIX
Bushing:
page 548



Plugs:
page 550



SKINTOP® MS/MSR is a superior quality, liquid-tight, metallic cable gland intended for applications where ruggedness and durability are required. These cable glands are suitable for a wide range of applications, from manufacturing machinery to measurement and control equipment, including automation and robotics.

Application Advantage

- Suitable for use in areas with high demands on mechanical and chemical stability
- The heavy duty SKINTOP® design provides great pull-out strength and very reliable strain relief
- Extended temperature range due to the nickel-plated brass body
- Generous high-quality neoprene bushing and perbunan O-ring provide a liquid-tight and dust-proof hermetic seal

Approvals



Technical Data



Material:

- Body: Nickel-plated brass
- Insert: Polyamide
- Bushing: CR
- O-ring: Perbunan® (NBR)



Temperature Range:

-30°C to +100°C



IP Protection:

IP68, 5 bar
(Exceeds NEMA 6/6P pressure rating)
when used with O-ring



Locknuts:

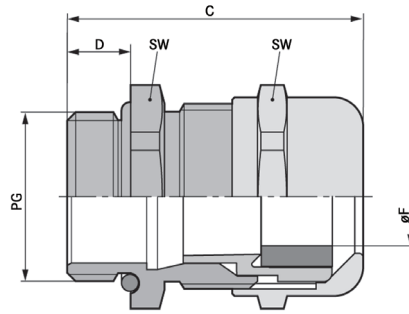
Add SM locknuts, page 545

Part Number	Thread Type & Size	øF Clamping Range (inches)	(mm)	SW Wrenching Flats (inches)	C Overall Length (inches)	D Thread Length (inches)	Standard Pack Size
SKINTOP® MS: Standard							
52015700	PG 7	0.078 - 0.256	2.0 - 6.5	0.551	0.985	0.197	100
52015710	PG 9	0.157 - 0.315	4.0 - 8.0	0.669	1.142	0.236	100
52015720	PG 11	0.157 - 0.394	4.0 - 10	0.788	1.260	0.236	50
52015730	PG 13	0.197 - 0.472	5.0 - 12.0	0.866	1.339	0.256	50
52015740	PG 16	0.315 - 0.551	8.0 - 14.0	0.945	1.379	0.256	50
52015750	PG 21	0.433 - 0.709	11.0 - 18.0	1.182	1.576	0.275	25
52015760	PG 29	0.630 - 0.985	16.0 - 25.0	1.576	1.891	0.315	25
52015765	PG 36	0.748 - 1.260	19.0 - 32.0	1.970	2.442	0.591	10
52015766	PG 42	1.103 - 1.497	28.0 - 38.0	2.245	2.442	0.591	5
52015767	PG 48	1.339 - 1.733	34.0 - 44.0	2.521	2.442	0.591	5
SKINTOP® MSR: Reducer Bushing							
52015770	PG 7	0.078 - 0.197	2.0 - 5.0	0.551	0.985	0.197	100
52015780	PG 9	0.078 - 0.236	2.0 - 6.0	0.669	1.142	0.236	100
52015790	PG 11	0.118 - 0.275	3.0 - 7.0	0.787	1.260	0.236	50
52015800	PG 13	0.157 - 0.354	4.0 - 9.0	0.866	1.339	0.256	50
52015810	PG 16	0.236 - 0.512	6.0 - 13.0	0.945	1.379	0.256	50
52105820	PG 21	0.315 - 0.630	8.0 - 16.0	1.182	1.576	0.275	25
52015830	PG 29	0.413 - 0.788	10.5 - 20.0	1.576	1.891	0.315	25
52015831	PG 36	0.748 - 1.024	19.0 - 26.0	1.970	2.442	0.591	10
52015832	PG 42	0.945 - 1.221	24.0 - 31.0	2.245	2.442	0.591	5
52015833	PG 48	1.103 - 1.379	28.0 - 35.0	2.521	2.442	0.591	5

Perbunan® is a registered trademark of BAYER AG. Photographs are not to scale and are not true representations of the products in question. For current information go to our website. If not otherwise specified, all values relating to the product are nominal values.

SKINTOP® MS-XL/MSR-XL

Nickel-Plated Brass Strain Relief with Extended PG Thread



Similar Products

- SKINTOP® MS/MSR

Complete the Installation

SKINTOP® DIX Bushing: page 548

Plugs: page 550

SKINTOP® MS-XL/MSR-XL is a superior quality, liquid-tight, metallic cable gland intended for applications where ruggedness, durability and long threads are required. These cable glands are suitable for a wide range of applications, from manufacturing machinery to measurement and control equipment, including automation and robotics.

Approvals



Application Advantage

- Ideal for heavy wall applications or for use with locknuts where tapped holes cannot be provided
- Suitable for use in areas with high demands on mechanical and chemical stability
- The heavy duty SKINTOP® design provides great pull-out strength and very reliable strain relief
- Extended temperature range due to the nickel-plated brass body
- Generous high-quality neoprene bushing and perbunan O-ring provide a liquid-tight and dust-proof hermetic seal

Technical Data

Material:	Nickel-plated brass	Temperature Range:	-30°C to +100°C
- Body:	Nickel-plated brass		
- Insert:	Polyamide	IP Protection:	70 PSI
- Bushing:	CR	Seal:	IP68, 5 bar
- O-ring:	Perbunan® (NBR)		(Exceeds NEMA 6/6P pressure rating when used with an O-ring)
Locknuts:	Add SM locknuts, page 545		

Part Number	Thread Type & Size	øF Clamping Range (inches)	(mm)	SW Wrenching Flats (inches)	C Overall Length (inches)	D Thread Length (inches)	Standard Pack Size
SKINTOP® MS-XL: Standard							
52115700	PG 7	0.078 - 0.256	2.0 - 6.5	0.551	1.260	0.472	100
52115710	PG 9	0.157 - 0.315	4.0 - 8.0	0.669	1.379	0.472	100
52115720	PG 11	0.157 - 0.394	4.0 - 10.0	0.788	1.497	0.472	50
52115730	PG 13	0.197 - 0.472	5.0 - 12.0	0.866	1.556	0.472	50
52115740	PG 16	0.315 - 0.551	8.0 - 14.0	0.945	1.595	0.472	50
52115750	PG 21	0.433 - 0.709	11.0 - 18.0	1.182	1.773	0.472	25
52115760	PG 29	0.630 - 0.985	16.0 - 25.0	1.576	2.048	0.591	25
SKINTOP® MSR-XL: Reducer Bushing							
52115770	PG 7	0.078 - 0.197	2.0 - 5.0	0.551	1.260	0.472	100
52115780	PG 9	0.078 - 0.236	2.0 - 6.0	0.669	1.379	0.472	100
52115790	PG 11	0.118 - 0.275	3.0 - 7.0	0.788	1.497	0.472	50
52115800	PG 13	0.157 - 0.354	4.0 - 9.0	0.866	1.556	0.472	50
52115810	PG 16	0.236 - 0.512	6.0 - 13.0	0.945	1.595	0.472	50
52115820	PG 21	0.315 - 0.630	8.0 - 16.0	1.182	1.773	0.472	25
52115830	PG 29	0.413 - 0.788	10.5 - 20.0	1.576	2.048	0.591	25

Perbunan® is a registered trademark of BAYER AG. Photographs are not to scale and are not true representations of the products in question. For current information go to our website. If not otherwise specified, all values relating to the product are nominal values.

SKINTOP® MS-M/MSR-M

Nickel-Plated Brass Strain Relief with Metric Thread

Similar Products

- SKINTOP® MS-SC

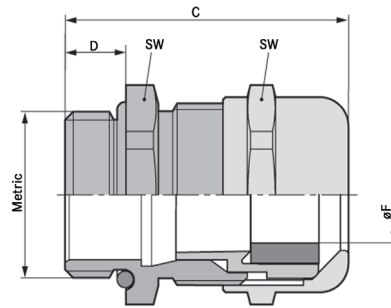
Complete the Installation



SKINTOP® DIX
Bushing:
page 548



Plugs:
page 550



SKINTOP® MS/MSR is a superior quality, liquid-tight, metallic cable gland intended for applications where ruggedness and durability are required. These cable glands are suitable for a wide range of applications, from manufacturing machinery to measurement and control equipment, including automation and robotics.

Application Advantage

- Suitable for use in areas with high demands on special mechanical and chemical stability
- The heavy duty SKINTOP® design provides great pull-out strength and very reliable strain relief
- Extended temperature range due to the nickel-plated brass body
- Generous high-quality neoprene bushing and perbunan O-ring provide a liquid-tight and dust-proof hermetic seal

Approvals*



Technical Data

Material:

- Body: Nickel-plated brass
- Insert: Polyamide
- Bushing: CR
- O-ring: Perbunan® (NBR)

Temperature Range:

- Static: -40°C to +100°C
- Dynamic: -30°C to +100°C

Locknuts:

Add SM-M locknuts, page 545

IP Protection:

- Seal: 70 PSI
IP68, 5 bar
(Exceeds NEMA 6/6P pressure rating)
IP69K**

Part Number	Thread Type & Size	UL Status	øF Clamping Range		SW Wrenching Flats	C Overall Length	D Thread Length	Standard Pack Size
			(inches)	(mm)	(inches)	(inches)	(inches)	
SKINTOP® MS-M: Standard								
53112000	M12 x 1.5	Recognized	0.118 - 0.275	3.0 - 7.0	0.630	1.044	0.256	100
53112010	M16 x 1.5	Recognized	0.177 - 0.394	4.5 - 10.0	0.788	1.260	0.275	100
53112020	M20 x 1.5	Listed	0.275 - 0.512	7.0 - 13.0	0.945	1.398	0.315	50
53112030	M25 x 1.5	Listed	0.354 - 0.669	9.0 - 17.0	1.142	1.477	0.315	25
53112040	M32 x 1.5	Listed	0.433 - 0.827	11.0 - 21.0	1.418	1.662	0.354	25
53112050	M40 x 1.5	Listed	0.748 - 1.103	19.0 - 28.0	1.773	1.950	0.354	10
53112060	M50 x 1.5	Listed	1.063 - 1.379	27.0 - 35.0	2.127	2.048	0.394	5
53112070	M63 x 1.5	Listed	1.339 - 1.773	34.0 - 45.0	2.639	2.415	0.591	5
53112080	M63 x 1.5, plus	Listed	1.733 - 2.167	44.0 - 55.0	2.955	2.580	0.591	5
53112510	M75 x 1.5	Listed	2.285 - 2.679	58.0 - 68.0	3.743	4.137	0.591	1
53112512	M90 x 2.0	Listed	2.600 - 3.073	66.0 - 78.0	4.531	5.358	0.788	1
53112514	M110 x 2.0	Listed	3.388 - 3.861	86.0 - 98.0	5.319	6.067	0.985	1
SKINTOP® MSR-M: Reducer Bushing								
53112100	M12 x 1.5	Recognized	0.039 - 0.197	1.0 - 5.0	0.630	1.044	0.256	100
53112110	M16 x 1.5	Recognized	0.078 - 0.275	2.0 - 7.0	0.788	1.260	0.275	100
53112120	M20 x 1.5	Listed	0.197 - 0.394	5.0 - 10.0	0.945	1.398	0.315	50
53112130	M25 x 1.5	Listed	0.236 - 0.512	6.0 - 13.0	1.142	1.477	0.315	25
53112140	M32 x 1.5	Listed	0.275 - 0.591	7.0 - 15.0	1.418	1.662	0.354	25
53112150	M40 x 1.5	Listed	0.591 - 0.906	15.0 - 23.0	1.773	1.950	0.354	10
53112160	M50 x 1.5	Listed	0.866 - 1.142	22.0 - 29.0	2.127	2.048	0.394	5
53112170	M63 x 1.5	Listed	1.103 - 1.536	28.0 - 39.0	2.639	2.415	0.591	5
53112511	M75 x 1.5	Listed	2.088 - 2.482	53.0 - 63.0	3.743	4.137	0.591	1
53112515	M110 x 2.0	Listed	2.994 - 3.467	76.0 - 88.0	5.319	6.067	0.985	1

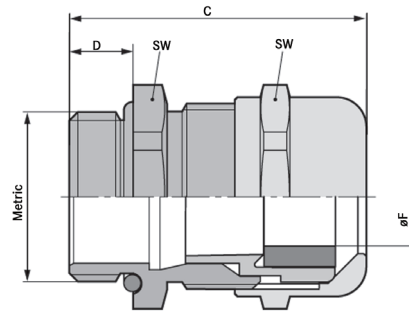
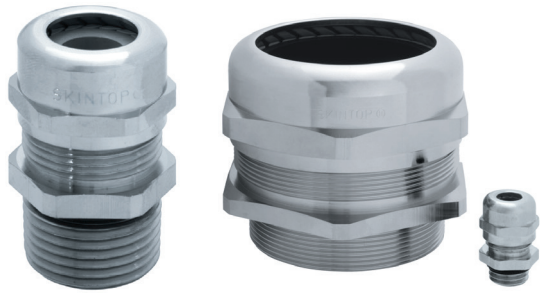
* DNV pending for size M75; UL, CSA, DNV & VDE pending for sizes M90 & M110.

** IP69K pending for sizes M75, M90 & M110

Perbunan® is a registered trademark of BAYER AG. Photographs are not to scale and are not true representations of the products in question. For current information go to our website. If not otherwise specified, all values relating to the product are nominal values.

SKINTOP® MS-M-XL/MSR-M-XL

Nickel-Plated Brass Strain Relief with Extended Metric Thread



Similar Products

- SKINTOP® MS-M/MSR-M

Complete the Installation

SKINTOP® DIX Bushing: page 548

Plugs: page 550

SKINTOP® MS-M-XL/MSR-M-XL is a superior quality, liquid-tight, metallic cable gland intended for applications where ruggedness, durability, and long threads are required.

Application Advantage

- Ideal for heavy wall applications or for use with locknuts where tapped holes cannot be provided
- Suitable for use in areas with high demands on special mechanical and chemical stability
- The heavy duty SKINTOP® design provides great pull-out strength and very reliable strain relief
- Extended temperature range due to the nickel-plated brass body
- Generous high-quality neoprene bushing and perbunan O-ring provide a liquid-tight and dust-proof hermetic seal

Approvals



Technical Data

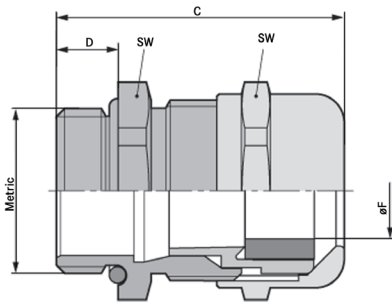
Material:	Nickel-plated brass	Temperature Range:	-40°C to +100°C
- Body:	Nickel-plated brass	- Static:	-40°C to +100°C
- Insert:	Polyamide	- Dynamic:	-30°C to +100°C
- Bushing:	CR	IP Protection:	70 PSI
- O-ring:	Perbunan® (NBR)	- Seal:	IP68, 10 bar (Exceeds NEMA 6/6P pressure rating) IP69K
Locknuts:	Add SM-M locknuts, page 545		

Part Number	Thread Type & Size	øF Clamping Range (inches)	(mm)	SW Wrenching Flats (inches)	C Overall Length (inches)	D Thread Length (inches)	Standard Pack Size
SKINTOP® MS-M-XL: Standard							
53112005	M12 x 1.5	0.118 - 0.275	3.0 - 7.0	0.630	1.292	0.472	100
53112015	M16 x 1.5	0.177 - 0.394	4.5 - 10.0	0.788	1.457	0.472	50
53112025	M20 x 1.5	0.275 - 0.512	7.0 - 13.0	0.945	1.556	0.472	50
53112035	M25 x 1.5	0.354 - 0.669	9.0 - 17.0	1.142	1.635	0.472	25
53112045	M32 x 1.5	0.433 - 0.827	11.0 - 21.0	1.418	1.899	0.591	25
53112055	M40 x 1.5	0.748 - 1.103	19.0 - 28.0	1.773	2.107	0.591	10
53112065	M50 x 1.5	1.063 - 1.379	27.0 - 35.0	2.127	2.245	0.591	5
SKINTOP® MSR-M-XL: Reducer Bushing							
53112105	M12 x 1.5	0.039 - 0.197	1.0 - 5.0	0.630	1.292	0.472	100
53112115	M16 x 1.5	0.078 - 0.275	2.0 - 7.0	0.788	1.457	0.472	50
53112125	M20 x 1.5	0.197 - 0.394	5.0 - 10.0	0.945	1.556	0.472	50
53112135	M25 x 1.5	0.236 - 0.512	6.0 - 13.0	1.142	1.635	0.472	25
53112145	M32 x 1.5	0.275 - 0.591	7.0 - 15.0	1.418	1.899	0.591	25
53112155	M40 x 1.5	0.591 - 0.906	15.0 - 23.0	1.773	2.107	0.591	10
53112165	M50 x 1.5	0.866 - 1.142	22.0 - 29.0	2.127	2.245	0.591	5

Perbunan® is a registered trademark of BAYER AG. Photographs are not to scale and are not true representations of the products in question. For current information go to our website. If not otherwise specified, all values relating to the product are nominal values.

SKINTOP® MS-M ATEX/MSR-M ATEX

Nickel-Plated Brass Strain Relief according to ATEX for Hazardous Areas with Metric Thread



SKINTOP® MS-M ATEX and MSR-M ATEX were developed for use in areas with risk of explosion and for cables used with fail-safe circuits in housings and devices which require class "e" security. SKINTOP® MS-M ATEX and MSR-M ATEX are recommended for use in the chemical and petrochemical industry, mobile offshore, and marine applications. SKINTOP® MSR-M ATEX is equipped with a reducer bushing to seal cables with a smaller outer diameter.

SKINTOP® MS-M ATEX PLUS sizes provide a clamping range of 44 - 55 mm – which was not achievable before – while maintaining the protection, stability, and safety of a strain relief cable gland.

Application Advantage

- Equipment Group II, Category 2G + 1D
- The heavy duty SKINTOP® design provides great pull-out strength and very reliable strain relief
- Superior integrated locking mechanism includes an internal ratchet for vibration-proof protection
- Multi-trapezoidal thread requires just one twist to tighten

Approvals



Technical Data

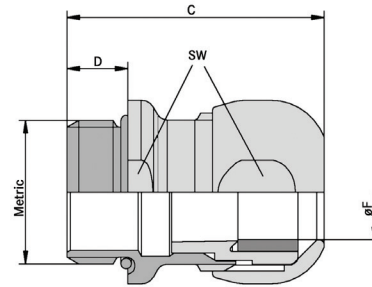
Material:	- Body: Nickel-plated brass	Temperature Range:	-30°C to +90°C
	- Insert: Polyamide	IP Protection:	IP68, 10 bar (Exceeds NEMA 6/6P Pressure rating) when used with an O-ring
	- Bushing: CR		
	- O-ring: Perbunan® (NBR)		
Locknuts:	Not permitted		

Part Number	Thread Type & Size	øF Clamping Range		SW Wrenching Flats (inches)	C Overall Length (inches)	D Thread Length (inches)	Standard Pack Size
		(inches)	(mm)				
SKINTOP® MS-M ATEX: Standard							
53112700	M12 x 1.5	0.118 - 0.275	3.0 - 7.0	0.630	1.044	0.256	100
53112710	M16 x 1.5	0.177 - 0.394	4.5 - 10.0	0.788	1.300	0.275	100
53112720	M20 x 1.5	0.275 - 0.512	7.0 - 13.0	0.945	1.457	0.315	50
53112730	M25 x 1.5	0.354 - 0.669	9.0 - 17.0	1.142	1.516	0.315	25
53112740	M32 x 1.5	0.433 - 0.827	11.0 - 21.0	1.418	1.792	0.354	25
53112750	M40 x 1.5	0.748 - 1.103	19.0 - 28.0	1.773	1.891	0.354	10
53112760	M50 x 1.5	1.024 - 1.379	26.0 - 35.0	2.127	2.186	0.394	5
53112770	M63 x 1.5	1.339 - 1.773	34.0 - 45.0	2.639	2.639	0.591	5
SKINTOP® MS-M ATEX: Plus							
53112779	M63 x 1.5	1.733 - 2.167	44.0 - 55.0	2.955	2.580	0.591	1
SKINTOP® MSR-M ATEX: Reducer Bushing							
53112705	M12 x 1.5	0.078 - 0.197	2.0 - 5.0	0.630	1.044	0.256	100
53112715	M16 x 1.5	0.157 - 0.275	4.0 - 7.0	0.788	1.300	0.275	100
53112725	M20 x 1.5	0.197 - 0.394	5.0 - 10.0	0.945	1.457	0.315	50
53112735	M25 x 1.5	0.236 - 0.512	6.0 - 13.0	1.142	1.516	0.315	25
53112745	M32 x 1.5	0.275 - 0.591	7.0 - 15.0	1.418	1.792	0.354	25
53112755	M40 x 1.5	0.630 - 0.906	16.0 - 23.0	1.773	1.891	0.354	10
53112765	M50 x 1.5	0.748 - 1.142	19.0 - 29.0	2.127	2.186	0.394	5
53112775	M63 x 1.5	1.260 - 1.536	32.0 - 39.0	2.639	2.639	0.591	5

Perbunan® is a registered trademark of BAYER AG. Photographs are not to scale and are not true representations of the products in question. For current information go to our website. If not otherwise specified, all values relating to the product are nominal values.

SKINTOP® INOX/INOX-R

Stainless Steel Strain Relief with Metric Thread



SKINTOP® INOX is a stainless steel cable gland with special design features that prevent micro-organisms and bacteria from sticking to the surface. The gland has an IP68/69K rating and withstands high pressure and high-temperature wash downs. Typical applications can be found in the food & beverage and pharmaceutical industry.

Application Advantage

- Highly corrosion-resistant
- Smooth surface
- No edges
- IP68/69K protection
- Wide variable clamping ranges

Approvals



Technical Data

Material: - Body: Stainless steel: V2.A (1.4404/316L) - Insert: Polyamide - Sealing ring: Silicone - O-ring: Silicone	IP Protection: IP68, 5 bar (Exceeds NEMA 6/6P pressure rating) IP69K	
		Approvals: DIN EN ISO 14 159 DIN EN 1672-2 EHEDG

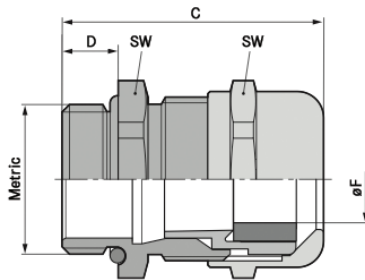
Part Number	Thread Type & Size	øF Clamping Range (inches) (mm)		SW Wrenching Flats (inches)	C Overall Length (inches)	D Thread Length (inches)	Standard Pack Size
SKINTOP® INOX							
53806740	M16 x 1.5	0.177 - 0.394	4.5 - 10.0	0.788	1.280	0.275	5
53806741	M20 x 1.5	0.275 - 0.512	7.0 - 13.0	0.945	1.410	0.315	5
53806742	M25 x 1.5	0.354 - 0.669	9.0 - 17.0	1.142	1.489	0.315	5
53806743	M32 x 1.5	0.433 - 0.827	11.0 - 21.0	1.418	1.706	0.354	5
SKINTOP® INOX-R							
53806750	M16 x 1.5	0.078 - 0.275	2.0 - 7.0	0.788	1.276	0.275	5
53806751	M20 x 1.5	0.197 - 0.039	5.0 - 10.0	0.945	1.410	0.315	5
53806752	M25 x 1.5	0.236 - 0.512	6.0 - 13.0	1.142	1.489	0.315	5
53806753	M32 x 1.5	0.275 - 0.591	7.0 - 15.0	1.418	1.706	0.354	5

Photographs are not to scale and are not true representations of the products in question.

For current information go to our website. If not otherwise specified, all values relating to the product are nominal values.

SKINTOP® COLD/COLD- R

Nickel-Plated Brass Strain Relief for Extreme Sub-Zero Temperatures with Metric Thread



SKINTOP® COLD strain relief cable glands are designed for areas where mechanical stability and cold resistance are critical. Typical applications include cold storage facilities, offshore areas, and plant engineering.

Application Advantage

- Excellent cold resistance
- Cold impact resistant
- Heavy duty design offers mechanical stability, pull-out protection and reliable strain relief

Approvals



Technical Data


Material:

- Body: Nickel-plated brass
- Insert: Special polyamide
- Sealing ring: Silicone
- O-ring: Silicone


Temperature Range:

-70°C to +100°C


IP Protection:

- M12 to M20: IP68, 10 bar
- M25 to M63: IP68, 5 bar


Locknuts:

Add SM-M locknuts, page 545

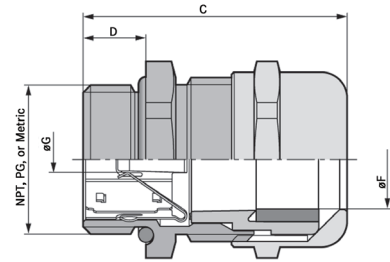
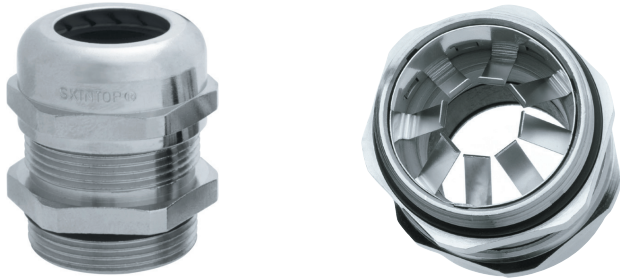
Part Number	Thread Type & Size	øF Clamping Range (inches) (mm)		SW Wrenching Flats (inches)	C Overall Length (inches)	D Thread Length (inches)	Standard Pack Size
SKINTOP® COLD: Standard							
53113500	M12 x 1.5	0.118 - 0.276	3.0 - 7.0	0.630	1.044	0.256	100
53113510	M16 x 1.5	0.177 - 0.394	4.5 - 10.0	0.788	1.261	0.276	100
53113520	M20 x 1.5	0.276 - 0.512	7.0 - 13.0	0.946	1.399	0.315	50
53113530	M25 x 1.5	0.355 - 0.670	9.0 - 17.0	1.143	1.478	0.315	25
53113540	M32 x 1.5	0.433 - 0.827	11.0 - 21.0	1.418	1.663	0.355	25
53113550	M40 x 1.5	0.749 - 1.103	19.0 - 28.0	1.773	1.950	0.355	10
53113560	M50 x 1.5	1.064 - 1.379	27.0 - 35.0	2.128	2.049	0.394	5
53113570	M63 x 1.5	1.340 - 1.773	34.0 - 45.0	2.640	2.415	0.591	5
SKINTOP® COLD-R: Reducer Bushing							
53113600	M12 x 1.5	0.039 - 0.197	1.0 - 5.0	0.630	1.044	0.256	100
53113610	M16 x 1.5	0.079 - 0.276	2.0 - 7.0	0.788	1.261	0.276	100
53113620	M20 x 1.5	0.197 - 0.394	5.0 - 10.0	0.946	1.399	0.315	50
53113630	M25 x 1.5	0.236 - 0.512	6.0 - 13.0	1.143	1.478	0.315	25
53113640	M32 x 1.5	0.276 - 0.591	7.0 - 15.0	1.418	1.663	0.355	25
53113650	M40 x 1.5	0.591 - 0.906	15.0 - 23.0	1.773	1.950	0.355	10
53113660	M50 x 1.5	0.867 - 1.143	22.0 - 29.0	2.128	2.049	0.394	5
53113670	M63 x 1.5	1.103 - 1.537	28.0 - 39.0	2.640	2.415	0.591	5

Photographs are not to scale and are not true representations of the products in question.

For current information go to our website. If not otherwise specified, all values relating to the product are nominal values.

SKINTOP® MS-SC

Nickel-Plated Strain Relief for EMC Applications with NPT, PG & Metric Thread



SKINTOP® MS-SC is uniquely designed to address EMI concerns with its simplified grounding feature. In a few easy steps the cable is grounded, strain relieved, and sealed from moisture and dust in accordance with IP68. The cable glands' contact springs establish a continuous electrical path from the shield of the cable to the equipment ground, creating a secure shield connection.

Application Advantage

- Optimal EMC protection
- Suitable for braid-shielded cable
- Minimal assembly steps
- The contact springs' unique design can accept cable diameters with wide dimensional tolerances
- Available in both standard and long length threads for heavy wall applications

Approvals: NPT Threads



Approvals: PG Threads



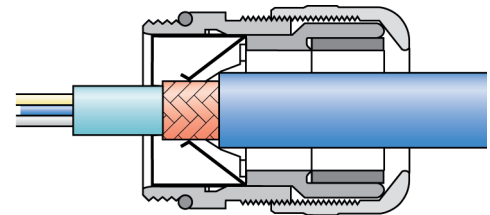
Approvals: Metric Threads



Assembly Instructions:

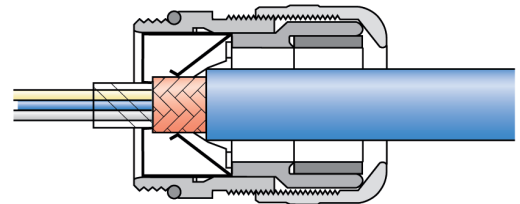
For standard contacting:

1



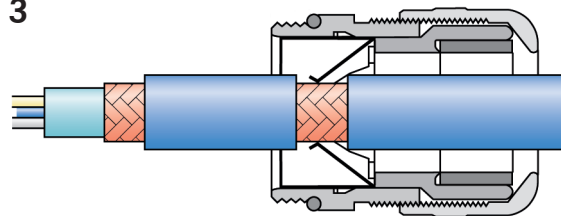
For thin wires without an inner sheath:

2



When routing cable screen to another connection:

3



Technical Data

Material: - Body: Nickel-plated brass - Insert: Polyamide - Bushing: CR - O-ring: Perbunan® (NBR)	Temperature Range:	-30°C to +100°C
	IP Protection:	IP68, 5 bar (Exceeds NEMA 6/6P pressure rating when used with an O-ring)
	Locknuts:	Add SM-PE locknuts, page 546

SKINTOP® MS-SC NPT

Part Number	Thread Type & Size	øF Clamping Range		SW Wrenching Flats (inches)	C Overall Length (inches)	D Thread Length (inches)	Min ø Above Braiding (inches)	Standard Pack Size
		(inches)	(mm)					
SKINTOP® MS-SC: Standard NPT Thread								
53112910	NPT 3/8"	0.177 - 0.394	4.5 - 10.0	0.788	1.564	0.591	0.158	100
53112920	NPT 1/2"	0.275 - 0.512	7.0 - 13.0	0.945	1.674	0.591	0.197	50
53112930	NPT 3/4"	0.354 - 0.669	9.0 - 17.0	1.142	1.753	0.591	0.296	25
53112940	NPT 1"	0.433 - 0.827	11.0 - 21.0	1.418	1.930	0.591	0.355	25
53112950	NPT 1 1/4"	0.748 - 1.103	19.0 - 28.0	1.773	2.264	0.669	0.591	10
53112960	NPT 1 1/2"	1.063 - 1.379	27.0 - 35.0	2.127	2.423	0.669	0.827	5

SKINTOP® MS-SC & MS-SCL

Part Number	Thread Type & Size	øF Clamping Range		SW Wrenching Flats (inches)	C Overall Length (inches)	D Thread Length (inches)	Min ø Above Braiding (inches)	Standard Pack Size
		(inches)	(mm)					
SKINTOP® MS-SC: Standard PG Thread								
53112210	PG 9	0.118 - 0.315	3.0 - 8.0	0.669	1.142	0.236	0.158	50
53112220	PG 11	0.157 - 0.394	4.0 - 10.0	0.787	1.260	0.236	0.158	50
53112230	PG 13	0.197 - 0.472	5.0 - 12.0	0.866	1.339	0.256	0.158	25
53112240	PG 16	0.315 - 0.551	8.0 - 14.0	0.945	1.378	0.256	0.236	25
53112250	PG 21	0.433 - 0.689	11.0 - 17.5	1.181	1.575	0.275	0.315	25
53112260	PG 29	0.630 - 0.985	16.0 - 25.0	1.575	1.890	0.315	0.512	10
53112270	PG 36	0.748 - 1.260	19.0 - 32.0	1.969	2.441	0.591	0.630	5
SKINTOP® MS-SCL: Long PG Thread								
53112310	PG 9	0.118 - 0.315	3.0 - 8.0	0.669	1.378	0.472	0.158	50
53112320	PG 11	0.157 - 0.394	4.0 - 10.0	0.787	1.496	0.472	0.158	50
53112330	PG 13	0.197 - 0.472	5.0 - 12.0	0.866	1.555	0.472	0.158	25
53112340	PG 16	0.315 - 0.551	8.0 - 14.0	0.945	1.594	0.472	0.236	25
53112350	PG 21	0.433 - 0.689	11.0 - 17.5	1.181	1.772	0.472	0.315	25
53112360	PG 29	0.630 - 0.985	16.0 - 25.0	1.575	2.047	0.591	0.512	10

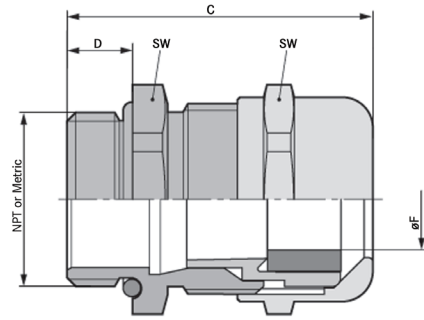
SKINTOP® MS-M-SC & MS-M-SCL

Part Number	Thread Type & Size	øF Clamping Range		SW Wrenching Flats (inches)	C Overall Length (inches)	D Thread Length (inches)	Min ø Above Braiding (inches)	Standard Pack Size
		(inches)	(mm)					
SKINTOP® MS-M-SC: Standard Metric Thread								
53112610	M12 x 1.5	0.137 - 0.275	3.5 - 7.0	0.630	1.043	0.256	0.079	50
53112620	M16 x 1.5	0.177 - 0.354	4.5 - 9.0	0.788	1.299	0.275	0.158	50
53112630	M20 x 1.5	0.275 - 0.492	7.0 - 12.5	0.945	1.457	0.315	0.197	25
53112640	M25 x 1.5	0.354 - 0.650	9.0 - 16.5	1.142	1.516	0.315	0.296	25
53112650	M32 x 1.5	0.433 - 0.827	11.0 - 21.0	1.418	1.791	0.354	0.355	25
53112660	M40 x 1.5	0.748 - 1.103	19.0 - 28.0	1.773	1.890	0.354	0.591	10
53112670	M50 x 1.5	1.063 - 1.379	27.0 - 35.0	2.127	2.185	0.394	0.827	5
SKINTOP® MS-M-SCL: Long Metric Thread								
53112625	M16 x 1.5	0.177 - 0.354	4.5 - 9.0	0.788	1.496	0.472	0.158	50
53112635	M20 x 1.5	0.275 - 0.492	7.0 - 12.5	0.945	1.614	0.472	0.197	25
53112645	M25 x 1.5	0.354 - 0.650	9.0 - 16.5	1.142	1.673	0.472	0.296	25
53112655	M32 x 1.5	0.433 - 0.827	11.0 - 21.0	1.418	2.028	0.591	0.355	25
53112665	M40 x 1.5	0.748 - 1.103	19.0 - 28.0	1.773	2.126	0.591	0.591	10
53112675	M50 x 1.5	1.063 - 1.379	27.0 - 35.0	2.127	2.382	0.591	0.827	5

Perbunan® is a registered trademark of BAYER AG. Photographs are not to scale and are not true representations of the products in question. For current information go to our website. If not otherwise specified, all values relating to the product are nominal values.

SKINTOP® MS-NPT BRUSH/MS-M BRUSH

Nickel-Plated Brass Strain Relief for EMC Applications with NPT & Metric Thread



The SKINTOP® MS-NPT/MS-M BRUSH provides centered, fixed strain relief with a liquid-tight and dust-proof seal, all in one step. Simply insert the cable, push the screen braid under the innovative EMC brush, tighten the cap, and the connection is made.

The SKINTOP® MS-M BRUSH PLUS sizes offers extra large clamping ranges.

Application Advantage

- Faster, easier, reliable screen contact
- Maximum assembly and adjustment possibilities
- 360° contact area allows for optimal low-resistance current return ground path

Approvals: NPT Threads



Approvals: Metric Threads



Special Features

SKINTOP® sizes M75 x 1.5 to M110 x 2.0 feature the innovative double lamella gasket for easier assembling of cables with large diameters.

Technical Data

Material:	- Body: Nickel-plated brass	Temperature Range:	-30°C to +100°C
	- Brush: Brass	IP Protection:	
	- Insert: Polyamide	- NPT:	IP68, 5 bar (Exceeds NEMA 6/6P pressure rating)
	- Bushing: Special elastomer	- Metric:	
	- O-ring: Special elastomer	- M25 - M63:	IP69K
Locknuts:	Add SM-PE-M locknuts for metric glands, page 546	- M63 plus and larger:	IP68, 5 bar (Exceeds NEMA 6/6P pressure rating)

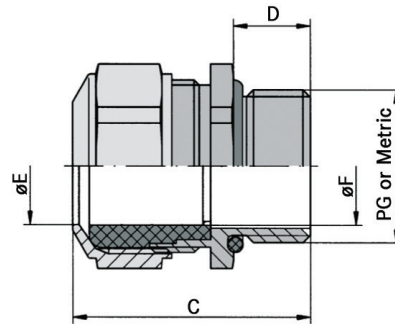
Part Number	Thread Type & Size	øF Clamping Range (inches)	øF Clamping Range (mm)	SW Wrenching Flats (inches)	C Overall Length (inches)	D Thread Length (inches)	Min ø above braiding (inches)	Standard Pack Size
SKINTOP® MS-NPT BRUSH								
53112037	NPT ¾"	0.354 - 0.669	9.0 - 17.0	1.142	1.694	0.591	0.236	10
53112047	NPT 1"	0.433 - 0.827	11.0 - 21.0	1.418	1.891	0.591	0.315	1
53112057	NPT 1¼"	0.748 - 1.103	19.0 - 28.0	1.773	2.265	0.669	0.394	1
53112067*	NPT 1½"	1.063 - 1.379	27.0 - 35.0	2.127	2.323	0.669	0.551	1
53112077*	NPT 2"	1.339 - 1.773	34.0 - 45.0	2.639	2.482	0.669	0.787	1
53112087*	NPT 2"	1.733 - 2.167	44.0 - 55.0	2.955	2.836	0.669	0.984	1
SKINTOP® MS-M BRUSH								
53112676	M25 x 1.5	0.354 - 0.669	9.0 - 17.0	1.142	1.418	0.315	0.236	10
53112677	M32 x 1.5	0.433 - 0.827	11.0 - 21.0	1.418	1.663	0.354	0.315	1
53112678	M40 x 1.5	0.748 - 1.103	19.0 - 28.0	1.773	2.344	0.354	0.394	1
53112679	M50 x 1.5	1.063 - 1.379	27.0 - 35.0	2.127	2.049	0.394	0.551	1
53112680	M63 x 1.5	1.339 - 1.773	34.0 - 45.0	2.639	2.415	0.591	0.788	1
53112681	M63 x 1.5, plus	1.733 - 2.167	44.0 - 55.0	2.955	2.719	0.591	0.985	1
53112501	M75 x 1.5	2.088 - 2.482	53.0 - 63.0	3.743	4.137	0.591	1.379	1
53112500	M75 x 1.5, plus	2.285 - 2.679	58.0 - 68.0	3.743	4.137	0.591	1.379	1
53112503**	M90 x 2.0	2.600 - 3.073	66.0 - 78.0	4.531	5.339	0.788	1.773	1
53112505**	M110 x 2.0	2.994 - 3.467	76.0 - 88.0	5.319	6.068	0.985	2.167	1
53112504**	M110 x 2.0, plus	3.388 - 3.861	86.0 - 98.0	5.319	6.068	0.985	2.167	1

* Available upon request ** UL and VDE approvals pending on sizes M90x2.0 to M110x2.0

Photographs are not to scale and are not true representations of the products in question. For current information go to our website. If not otherwise specified, all values relating to the product are nominal values.

SKINDICHT® CN/CN-M

Chromium-Nickel Steel Strain Relief with PG & Metric Thread



SKINDICHT® CN/CN-M is a high quality, chromium-nickel steel cable gland that is able to withstand extreme temperatures. This gland is ideal for harsh environments, including pharmaceutical, petrochemical, and offshore applications.

Application Advantage

- Suitable for use in temperatures up to +200°C (392°F)
- Highly resistant to acids, caustics, and aggressive solvents

Approvals



Technical Data

Material:		Temperature Range:	-25°C to +200°C
- Body:	Chromium-nickel steel (type 303) in acc. with DIN material no. 1.4305	IP Protection:	IP68
- Seal:	FPM		
- O-ring:	FPM		
Locknuts:	Available upon request for metric glands		

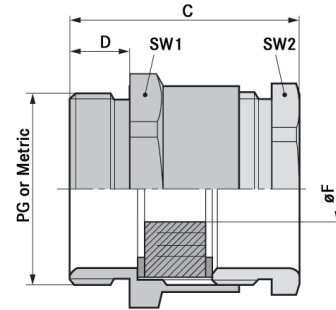
Part Number	Thread Type & Size	øF Clamping Range		SW Wrenching Flats	C Overall Length	D Thread Length	Standard Pack Size
		(inches)	(mm)	(inches)	(inches)	(inches)	
SKINDICHT® CN: PG							
52032520	PG 9	0.24 - 0.39	6.0 - 10.0	0.71	1.10	0.39	5
52032525	PG 11	0.20 - 0.47	5.0 - 12.0	0.87	1.26	0.39	5
52032540	PG 13	0.31 - 0.59	8.0 - 15.0	0.94	1.34	0.39	5
52032550	PG 16	0.31 - 0.59	8.0 - 15.0	0.94	1.34	0.39	5
52032560	PG 21	0.49 - 0.81	12.0 - 20.5	1.18	1.65	0.47	5
52032570	PG 29	0.75 - 1.08	19.0 - 27.5	1.61	2.09	0.47	5
SKINDICHT® CN-M: Metric							
52032580	M12 x 1.5	0.14 - 0.20	3.5 - 5.0	0.67	1.06	0.39	5
52032590	M12 x 1.5	0.20 - 0.26	5.0 - 6.5	0.67	1.06	0.39	5
52035600	M12 x 1.5	0.26 - 0.31	6.5 - 8.0	0.67	1.06	0.39	5
52035610	M16 x 1.5	0.31 - 0.41	8.0 - 10.5	0.71	1.18	0.39	5
52032620	M20 x 1.5	0.43 - 0.59	11.0 - 15.0	0.94	1.22	0.39	5
52032630	M25 x 1.5	0.63 - 0.81	16.0 - 20.5	1.18	1.42	0.43	5
52032640	M32 x 1.5	0.83 - 1.00	21.0 - 25.5	1.42	1.61	0.51	5
52032650	M40 x 1.5	1.12 - 1.30	28.5 - 33.0	1.81	1.73	0.51	1
52032660	M50 x 1.5	1.46 - 1.65	37.0 - 42.0	2.17	1.89	0.55	1
52032670	M63 x 1.5	1.81 - 2.05	46.0 - 52.0	2.76	2.01	0.55	1

Photographs are not to scale and are not true representations of the products in question.

For current information go to our website. If not otherwise specified, all values relating to the product are nominal values.

SKINDICHT® SVRE/SVRE-M Cable Clamp

Nickel-Plated Brass Cable Clamp with PG & Metric Thread



The SKINDICHT® SVRE cable clamp is a compact general-purpose cable clamp with an adjustable multi-layered bushing which accommodates a large cable diameter range.

Approvals



Application Advantage

- Provides cost savings: storage of fewer sizes due to adjustable bushing
- Suitable for a wide variety of applications that require compact, reliable strain relief
- Cost-effective strain relief solution

Technical Data

Material:		O-rings:	Add O-rings, page 557
- Body:	Nickel-plated brass	Temperature Range:	-20°C to +80°C
- Bushing/incised sealing:		IP Protection:	IP54
- PG:	CR		
- Metric:	CR/NBR		
Locknuts:	Add SM locknuts, page 545		

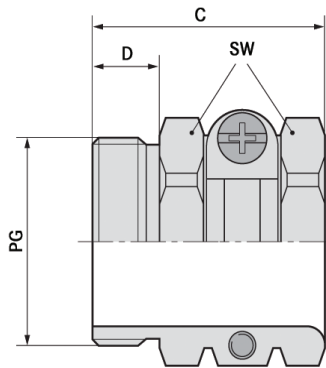
Part Number	Thread Type & Size	Inner Thread	øF Incised Sealing Ring (inches)	Max. Internal Diameter (inches)	SW Wrenching Flats (inches)		C Overall Length (inches)	D Thread Length (inches)	Standard Pack Size
					SW1	SW2			
SKINDICHT® SVRE: PG									
52005540	PG 9	PG 9	0.20 / 0.31	—	0.67	0.59	0.890	0.236	100
52000310	PG 11	PG 11	0.28 / 0.39 / 0.49	—	0.79	0.71	0.890	0.236	50
52000320	PG 13	PG 13	0.28 / 0.41 / 0.51 / 0.63	—	0.87	0.79	1.028	0.256	50
52000330	PG 16	PG 16	0.31 / 0.41 / 0.51 / 0.63	—	0.94	0.87	1.067	0.256	50
52000340	PG 21	PG 21	0.43 / 0.59 / 0.71 / 0.79	—	1.18	1.10	1.166	0.275	50
52000350	PG 29	PG 29	0.75 / 0.91 / 1.06 / 1.22	—	1.57	1.46	1.284	0.315	50
52000360	PG 36	PG 36	0.98 / 1.10 / 1.22 / 1.38	—	1.97	1.85	1.520	0.354	20
52005550	PG 42	PG 42	1.38 / 1.54 / 1.67 / 1.81	—	2.24	2.13	1.717	0.394	10
52005560	PG 48	PG 48	1.59 / 1.73 / 1.85 / 1.99	—	2.52	2.36	1.776	0.394	10
SKINDICHT® SVRE-M: Metric									
52104980	M16 x 1.5	PG 9	0.20 / 0.31	0.47	0.71	0.59	0.851	0.197	100
52104990	M20 x 1.5	PG 11	0.28 / 0.39 / 0.49	0.59	0.87	0.71	0.890	0.236	50
52105000	M20 x 1.5	PG 13	0.28 / 0.41 / 0.51 / 0.63	0.59	0.87	0.79	1.008	0.236	50
52105010	M20 x 1.5	PG 16	0.31 / 0.41 / 0.51 / 0.63	0.59	0.94	0.87	1.048	0.236	50
52105002	M25 x 1.5	PG 21	0.43 / 0.59 / 0.71 / 0.79	0.79	1.18	1.10	0.921	0.275	50
52105003	M32 x 1.5	PG 29	0.75 / 0.91 / 1.06 / 1.22	1.06	1.57	1.46	1.284	0.315	50
52105004	M40 x 1.5	PG 36	0.98 / 1.10 / 1.22 / 1.38	1.34	1.97	1.85	1.481	0.315	20
52105005	M50 x 1.5	PG 42	1.38 / 1.54 / 1.67 / 1.81	1.73	2.24	2.13	1.678	0.354	5
52105006	M63 x 1.5	PG 48	1.59 / 1.73 / 1.85 / 1.99	2.13	2.60	2.36	1.776	0.394	5

Photographs are not to scale and are not true representations of the products in question.

For current information go to our website. If not otherwise specified, all values relating to the product are nominal values.

SKINDICHT® SH Cable Clamp

Nickel-Plated Brass Cable Clamp with Single Saddle Clamp and PG Thread



The SKINDICHT® SH cable clamp is an extremely durable compact strain relief cable gland constructed of corrosion-resistant nickel-plated brass. Strain relief is achieved by use of a specially formed nickel-plated brass bracket that provides a secure locking system.

Application Advantage

- Durable, compact, and corrosion-resistant cable clamp
- Excellent in harsh environment applications including exposure to seawater and chemicals
- Cost-effective strain relief solution

Approvals



Technical Data

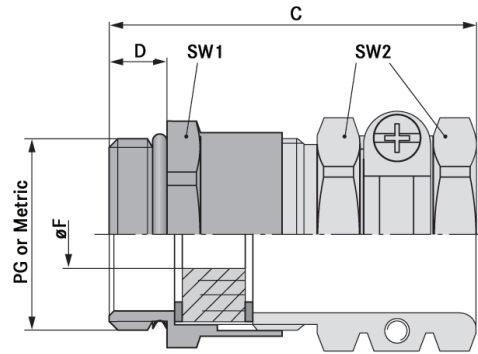
Material:		Temperature Range:	-20°C to +200°C
- Body:	Nickel-plated brass	IP Protection:	IP20
Locknuts:	Add SM locknuts, page 545		

Part Number	Thread Type & Size	øF Clamping Range (inches) (mm)		SW Wrenching Flats (inches)	C Overall Length (inches)	D Thread Length (inches)	Max. Installation Diameter (inches)	Standard Pack Size
SKINDICHT® SH								
52000830	PG 7	0.315 - 0.394	8.0 - 10.0	0.591	0.689	0.216	0.866	50
52000840	PG 9	0.394 - 0.492	10.0 - 12.5	0.669	0.807	0.236	0.985	50
52000850	PG 11	0.433 - 0.591	11.0 - 15.0	0.788	0.847	0.236	1.103	50
52000860	PG 13	0.551 - 0.650	14.0 - 16.5	0.866	0.945	0.295	1.260	25
52000870	PG 16	0.591 - 0.709	15.0 - 18.0	0.945	1.024	0.295	1.379	25
52000880	PG 21	0.709 - 0.925	18.0 - 23.5	1.182	1.142	0.315	1.812	25
52000890	PG 29	0.906 - 1.221	23.0 - 31.0	1.615	1.300	0.315	2.285	10
52000900	PG 36	1.142 - 1.595	29.0 - 40.5	1.970	1.438	0.374	2.758	10
52000910	PG 42	1.339 - 1.773	34.0 - 45.0	2.245	1.497	0.394	3.073	5
52000920	PG 48	1.536 - 1.970	39.0 - 50.0	2.521	1.556	0.453	3.388	5

Photographs are not to scale and are not true representations of the products in question.
For current information go to our website. If not otherwise specified, all values relating to the product are nominal values.

SKINDICHT® SHZ Cable Clamp

Nickel-Plated Brass Cable Clamp with Single Saddle Clamp & Additional Sealing, PG & Metric Thread



The SKINDICHT® SHZ cable clamp is a compact strain relief cable gland constructed of corrosion-resistant nickel-plated brass. It is equipped with an extension fitting to reach protection class IP55. Additional sealing is achieved by the use of an adjustable multi-layered bushing and an O-ring on the mounting threads.

■ Approvals



■ Application Advantage

- Durable, compact, and corrosion-resistant cable clamp
- Strain relief is attained by use of a specially formed nickel-plated brass bracket
- Excellent in harsh environment applications including exposure to seawater and chemicals

■ Technical Data

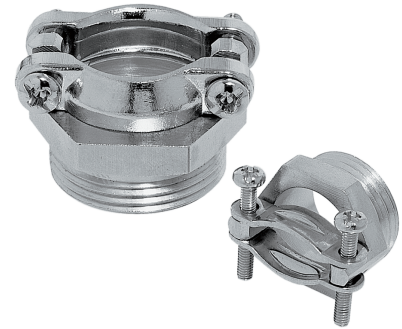
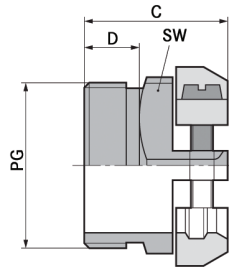
Material:	Nickel-plated brass	Temperature Range:	-20°C to +80°C
- Body:	Nickel-plated brass	IP Protection:	IP55
- Bushing:	CR/NBR		
- O-ring:	Perbunan® (NBR)		
Locknuts:	Add SM locknuts, page 545		

Part Number	Thread Type & Size	øF Clamping Range		SW Wrenching Flats (inches)		C Overall Length (inches)	D Thread Length (inches)	Max. Installation Diameter (inches)	Standard Pack Size
		(inches)	(mm)	SW1	SW2				
SKINDICHT® SHZ: PG									
52005590	PG 7	0.197 - 0.236	5.0 - 6.0	0.55	0.59	1.182	0.197	0.827	50
52005600	PG 9	0.295 - 0.334	7.5 - 8.5	0.67	0.67	1.339	0.236	0.985	50
52000930	PG 11	0.374 - 0.472	9.5 - 12.0	0.79	0.79	1.379	0.236	1.103	25
52000940	PG 13	0.492 - 0.551	12.5 - 14.0	0.87	0.87	1.576	0.256	1.260	25
52000950	PG 16	0.531 - 0.630	13.5 - 16.0	0.94	0.94	1.654	0.256	1.379	25
52000960	PG 21	0.610 - 0.827	15.5 - 21.0	1.18	1.18	1.851	0.275	1.812	25
52000970	PG 29	0.847 - 1.083	21.5 - 27.5	1.57	1.61	2.088	0.315	2.285	10
52000980	PG 36	1.063 - 1.339	27.0 - 34.0	1.97	1.97	2.403	0.354	2.758	10
52005610	PG 42	1.339 - 1.694	34.0 - 43.0	2.24	2.24	2.600	0.394	3.073	5
52005620	PG 48	1.497 - 1.891	38.0 - 48.0	2.52	2.52	2.679	0.394	3.388	5
SKINDICHT® SHZ-M: Metric									
52106700	M12 x 1.5	0.216 - 0.256	5.5 - 6.5	0.55	0.59	1.182	0.197	0.827	50
52106710	M16 x 1.5	0.197 - 0.315	5.0 - 8.0	0.71	0.67	1.300	0.197	0.985	50
52106720	M20 x 1.5	0.315 - 0.472	8.0 - 12.0	0.87	0.79	1.379	0.236	1.103	25
52106730	M20 x 1.5	0.334 - 0.512	8.5 - 13.0	0.87	0.87	1.556	0.236	1.260	25
52106740	M20 x 1.5	0.315 - 0.591	8.0 - 15.0	0.94	0.94	1.635	0.236	1.379	25
52106750	M25 x 1.5	0.551 - 0.760	14.0 - 19.3	1.18	1.18	1.851	0.275	1.812	25
52106760	M32 x 1.5	0.748 - 1.063	19.0 - 27.0	1.57	1.61	2.088	0.315	2.285	10
52106770	M40 x 1.5	1.063 - 1.339	27.0 - 34.0	1.97	1.97	2.364	0.315	2.758	10
52106780	M50 x 1.5	1.379 - 1.694	35.0 - 43.0	2.24	2.24	2.561	0.354	3.073	5
52106790	M63 x 1.5	1.576 - 1.871	40.0 - 47.5	2.60	2.52	2.679	0.394	3.388	5

Perbunan® is a registered trademark of BAYER AG. Photographs are not to scale and are not true representations of the products in question. For current information go to our website. If not otherwise specified, all values relating to the product are nominal values.

SKINDICHT® SK Cable Clamp

Nickel-Plated Brass Strain Relief with Double Saddle Clamp and PG Thread



The SKINDICHT® SK cable gland is equipped with two nickel-plated brass saddle clamps that guarantee reliable strain relief.

Application Advantage

- Durable, compact, and corrosion-resistant cable clamp
- The double saddle clamp arrangement accommodates a wide range of cables that are clamped concentrically

Approvals



Technical Data

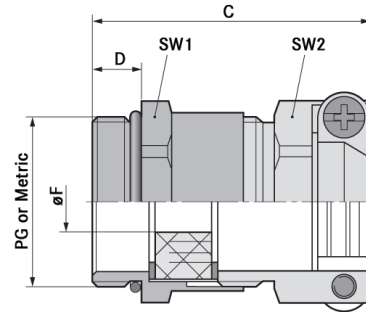
Material:		Locknuts:	Add SM locknuts, page 545
- Body:	Nickel-plated brass	Temperature Range:	-20°C to +200°C
- Brackets:	Nickel-plated brass	IP Protection:	IP20
- Screws:	Nickel-plated brass		

Part Number	Thread Type & Size	øF Clamping Range (inches) (mm)	SW Wrenching Flats (inches)	C Overall Length (inches)	D Thread Length (inches)	Max. Installation Diameter (inches)	Standard Pack Size
SKINDICHT® SK							
52004230	PG 9	0.236 - 0.472 6.0 - 12.0	0.75	0.650	0.236	0.945	50
52004240	PG 11	0.275 - 0.591 7.0 - 15.0	0.83	0.650	0.236	1.063	50
52004250	PG 13	0.472 - 0.650 12.0 - 16.5	0.87	0.728	0.295	1.181	25
52004260	PG 16	0.512 - 0.709 13.0 - 18.0	0.94	0.748	0.295	1.300	25
52004270	PG 21	0.591 - 0.906 15.0 - 23.0	1.18	0.886	0.315	1.654	25
51712740	PG 29	0.788 - 1.221 20.0 - 31.0	1.61	1.024	0.315	2.285	10

Photographs are not to scale and are not true representations of the products in question.
For current information go to our website. If not otherwise specified, all values relating to the product are nominal values.

SKINDICHT® SKZ/SKZ-M Cable Clamp

Nickel-Plated Brass Strain Relief with Double Saddle Clamp & Additional Sealing, PG & Metric Thread



The SKINDICHT® SKZ cable clamp is a compact strain relief cable gland with double saddle clamps and additional sealing. The sealing is achieved by means of a multi-layered bushing that accommodates a large cable diameter range.

Application Advantage

- The extended fitting allows the clamp to reach protection class IP55
- An O-ring is included on the mounting thread to provide additional sealing

Approvals



Technical Data

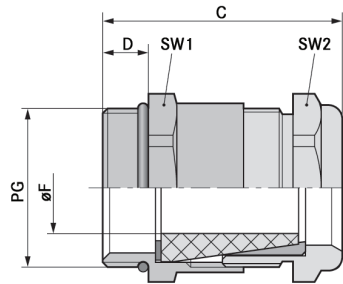
Material:		Locknuts:	Add SM locknuts, page 545
- Body:	Nickel-plated brass	Temperature Range:	-20°C to +80°C
- Saddle clamp:	Nickel-plated brass	IP Protection:	IP55
- Screws:	Nickel-plated brass		
- Bushing:	Neoprene		
- O-ring:	Perbunan® (NBR)		
- Incised sealing ring:			
- SKZ:	CR		
- SKZ-M:	CR/NBR		

Part Number	Thread Type & Size	øF Clamping Range		SW Wrenching Flats (inches)		C Overall Length (inches)	D Thread Length (inches)	Max. Installation Diameter (inches)	Standard Pack Size	
		(inches)	(mm)	SW1	SW2					
SKINDICHT® SKZ: PG										
52004280	PG 9	0.236 - 0.334	6.0 - 8.5	0.67	0.67	1.182	0.236	0.945	50	
52004290	PG 11	0.315 - 0.472	8.0 - 12.0	0.79	0.83	1.182	0.236	1.063	50	
52004300	PG 13	0.472 - 0.551	12.0 - 14.0	0.87	0.87	1.339	0.256	1.182	25	
52004310	PG 16	0.512 - 0.630	13.0 - 16.0	0.94	0.94	1.379	0.256	1.300	25	
52004320	PG 21	0.591 - 0.827	15.0 - 21.0	1.18	1.18	1.615	0.275	1.654	25	
52005570	PG 29	0.788 - 1.142	20.0 - 29.0	1.57	1.61	1.812	0.315	2.285	10	
SKINDICHT® SKZ-M: Metric										
52106800	M16 x 1.5	0.197 - 0.315	5.0 - 8.0	0.71	0.67	1.142	0.197	0.945	50	
52106810	M20 x 1.5	0.275 - 0.472	7.0 - 12.0	0.87	0.79	1.182	0.236	1.063	50	
52106820	M20 x 1.5	0.433 - 0.512	11.0 - 13.0	0.87	0.87	1.319	0.236	1.181	25	
52106830	M20 x 1.5	0.512 - 0.591	13.0 - 15.0	0.94	0.94	1.359	0.236	1.299	25	
52106840	M25 x 1.5	0.630 - 0.760	16.0 - 19.3	1.18	1.18	1.615	0.275	1.654	25	
52106850	M32 x 1.5	0.748 - 1.063	19.0 - 27.0	1.57	1.61	1.812	0.315	2.283	10	

Perbunan® is a registered trademark of BAYER AG. Photographs are not to scale and are not true representations of the products in question. For current information go to our website. If not otherwise specified, all values relating to the product are nominal values.

SKINDICHT® SHV Cable Clamp

Nickel-Plated Brass Strain Relief with Sealing Capability up to 300 ft (10 Bar) and PG Thread



The SKINDICHT® SHV cable gland is a metallic strain relief cable gland with a special tapered seal designed to provide liquid-tight sealing down to 300 feet (10 bar) of water pressure. An O-ring is included on the mounting thread to provide additional sealing.

Application Advantage

- Excellent compression strength and strain relief
- Ideal for underwater applications where water pressure-tight protection is required

Approvals



Technical Data



Material:

- Body: Nickel-plated brass
- Sealing cone: Neoprene (CR)
- O-ring: Perbunan (NBR)



Locknuts:

Add SM locknuts, page 545



Temperature Range:

-20°C to +80°C



IP Protection:

IP68, 10 bar

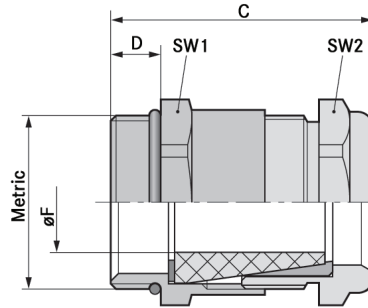
Part Number	Thread Type & Size	Inner Thread	Bushing ID (inches)	øF Clamping Range (inches) (mm)		SW Wrenching Flats (inches)	C Overall Length (inches)	D Thread Length (inches)	Standard Pack Size
SKINDICHT® SHV									
52002530	PG 7	PG 7	0.197	0.149 - 0.189	3.8 - 4.8	0.551	1.024	0.197	50
52002550	PG 9	PG 9	0.236	0.189 - 0.228	4.8 - 5.8	0.669	1.122	0.236	50
52002540	PG 9	PG 9	0.276	0.228 - 0.267	5.8 - 6.8	0.669	1.122	0.236	50
52002570	PG 11	PG 11	0.276	0.228 - 0.267	5.8 - 6.8	0.788	1.221	0.236	25
52002560	PG 11	PG 11	0.354	0.267 - 0.346	6.8 - 8.8	0.788	1.221	0.236	25
52010650	PG 9	PG 13	0.354	0.256 - 0.346	6.5 - 8.8	0.866	1.300	0.256	25
52010660	PG 9	PG 13	0.433	0.334 - 0.425	8.5 - 10.8	0.866	1.300	0.256	25
52010670	PG 11	PG 13	0.354	0.267 - 0.346	6.8 - 8.8	0.866	1.300	0.256	25
52010680	PG 11	PG 13	0.433	0.334 - 0.425	8.5 - 10.8	0.866	1.300	0.256	25
52002600	PG 13	PG 13	0.354	0.267 - 0.346	6.8 - 8.8	0.866	1.300	0.256	25
52002590	PG 13	PG 13	0.433	0.334 - 0.425	8.5 - 10.8	0.866	1.300	0.256	25
52010690	PG 11	PG 16	0.433	0.334 - 0.425	8.5 - 10.8	0.945	1.379	0.256	25
52010700	PG 11	PG 16	0.512	0.425 - 0.504	10.8 - 12.8	0.945	1.379	0.256	25
52010710	PG 11	PG 16	0.591	0.543 - 0.583	13.8 - 14.8	0.945	1.379	0.256	25
52100720	PG 13	PG 16	0.433	0.334 - 0.425	8.5 - 10.8	0.945	1.379	0.256	25
52010730	PG 13	PG 16	0.512	0.425 - 0.504	10.8 - 12.8	0.945	1.379	0.256	25
52010740	PG 13	PG 16	0.591	0.543 - 0.583	13.8 - 14.8	0.945	1.379	0.256	25
52012640	PG 16	PG 16	0.433	0.334 - 0.425	8.5 - 10.8	0.945	1.379	0.256	25
52002630	PG 16	PG 16	0.512	0.425 - 0.504	10.8 - 12.8	0.945	1.379	0.256	25
52002620	PG 16	PG 16	0.591	0.543 - 0.583	13.8 - 14.8	0.945	1.379	0.256	25
52010750	PG 16	PG 21	0.630	0.524 - 0.614	13.3 - 15.6	1.182	1.576	0.275	25
52010760	PG 16	PG 21	0.709	0.622 - 0.701	15.8 - 17.8	1.182	1.497	0.275	25
52010770	PG 16	PG 21	0.787	0.689 - 0.780	17.5 - 19.8	1.182	1.497	0.275	25
52002670	PG 21	PG 21	0.630	0.583 - 0.622	14.8 - 15.8	1.182	1.497	0.275	25
52002660	PG 21	PG 21	0.709	0.622 - 0.701	15.8 - 17.8	1.182	1.497	0.275	25
52002650	PG 21	PG 21	0.787	0.689 - 0.780	17.5 - 19.8	1.182	1.497	0.275	25
52002710	PG 29	PG 29	0.866	0.768 - 0.858	19.5 - 21.8	1.576	1.753	0.315	10
52002700	PG 29	PG 29	0.945	0.858 - 0.937	21.8 - 23.8	1.576	1.753	0.315	10
52002690	PG 29	PG 29	1.024	0.937 - 1.016	23.8 - 25.8	1.576	1.753	0.315	10

Photographs are not to scale and are not true representations of the products in question.

For current information go to our website. If not otherwise specified, all values relating to the product are nominal values.

SKINDICHT® SHV-M Cable Clamp

Nickel-Plated Brass Strain Relief with Sealing Capability up to 300 ft (10 Bar) and Metric Thread



The SKINDICHT® SHV-M cable gland is a metallic strain relief cable gland with a special tapered seal designed to provide liquid-tight sealing down to 300 feet (10 bar) of water pressure. An O-ring is included on the mounting thread to provide additional sealing.

Application Advantage

- Excellent compression strength and strain relief
- Ideal for underwater applications where water pressure-tight protection is required

Approvals



Technical Data

Material:

- Body: Nickel-plated brass
- Cone Seal: CR (NBR)
- O-ring: Perbunan® (NBR)

Temperature Range: -20°C to +80°C

IP Protection: IP68, 10 bar

Locknuts:

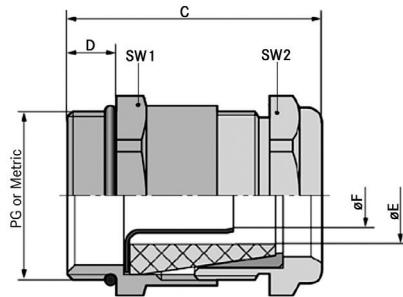
Add SM-M locknuts, page 545

Part Number	Thread Type & Size	Inner Thread	Bushing OD (inches)	øF Clamping Range		SW Wrenching Flats (inches)		C Overall Length (inches)	D Thread Length (inches)	Standard Pack Size
				(inches)	(mm)	SW1	SW2			
SKINDICHT® SHV-M										
52105270	M12 x 1.5	PG 7	0.197	0.118 - 0.189	3.0 - 4.8	0.551	0.551	1.024	0.197	50
52105280	M16 x 1.5	PG 9	0.236	0.177 - 0.228	4.5 - 5.8	0.709	0.669	1.044	0.197	50
52105290	M16 x 1.5	PG 9	0.276	0.177 - 0.267	4.5 - 6.8	0.709	0.669	1.044	0.197	50
52105300	M20 x 1.5	PG 11	0.276	0.236 - 0.267	6.0 - 6.8	0.866	0.788	1.221	0.236	25
52105310	M20 x 1.5	PG 11	0.354	0.256 - 0.346	6.5 - 8.8	0.866	0.788	1.221	0.236	25
52105320	M20 x 1.5	PG 13	0.354	0.256 - 0.346	6.5 - 8.8	0.866	0.866	1.280	0.236	25
52105330	M20 x 1.5	PG 13	0.433	0.354 - 0.425	9.0 - 10.8	0.866	0.866	1.280	0.236	25
52105340	M20 x 1.5	PG 16	0.433	0.354 - 0.425	9.0 - 10.8	0.945	0.945	1.359	0.236	25
52105350	M20 x 1.5	PG 16	0.512	0.374 - 0.504	9.5 - 12.8	0.945	0.945	1.359	0.236	25
52105360	M20 x 1.5	PG 16	0.591	0.512 - 0.583	13.0 - 14.8	0.945	0.945	1.359	0.236	25
52105370	M25 x 1.5	PG 21	0.630	0.531 - 0.622	13.5 - 15.8	1.182	1.182	1.516	0.275	25
52105380	M25 x 1.5	PG 21	0.709	0.591 - 0.701	15.0 - 17.8	1.182	1.182	1.516	0.275	25
52105390	M25 x 1.5	PG 21	0.787	0.689 - 0.780	17.5 - 19.8	1.182	1.182	1.516	0.275	25
52105400	M32 x 1.5	PG 29	0.866	0.689 - 0.858	17.5 - 21.8	1.576	1.576	1.674	0.315	10
52105410	M32 x 1.5	PG 29	0.945	0.748 - 0.937	19.0 - 23.8	1.576	1.576	1.674	0.315	10
52105420	M32 x 1.5	PG 29	1.024	0.906 - 1.016	23.0 - 25.8	1.576	1.576	1.674	0.315	10

Perbunan® is a registered trademark of BAYER AG. Photographs are not to scale and are not true representations of the products in question. For current information go to our website. If not otherwise specified, all values relating to the product are nominal values.

SKINDICHT® SHVE Cable Clamp

Nickel-Plated Brass Strain Relief with Earthing Sleeve for EMI Protection, PG & Metric Thread

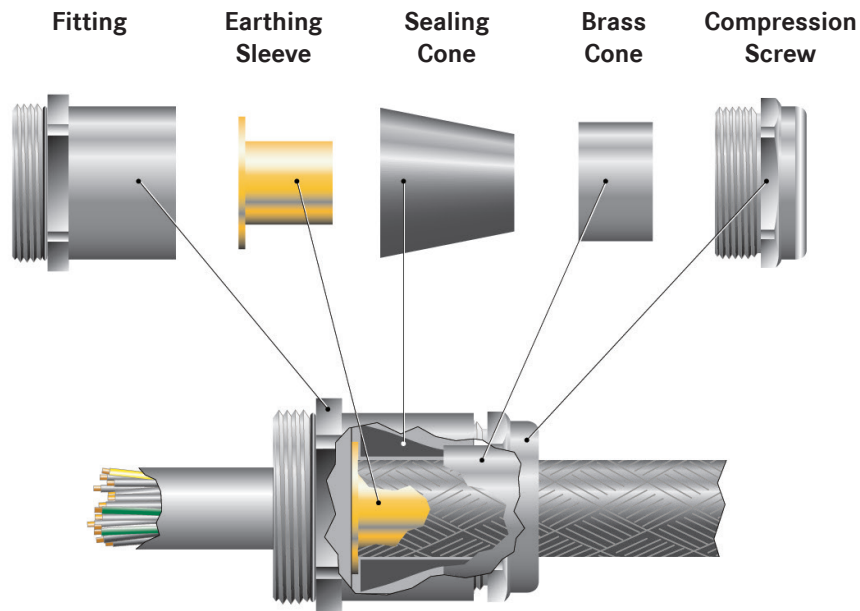


The SKINDICHT® SHVE is a compact strain relief cable gland with a cylindrical grounding sleeve designed to provide maximum EMC protection when used with copper- and steel-shielded cables.

Application Advantage

- Provides excellent EMI protection
- The inner sealing cone prevents the entry of dust, moisture, and oil

Approvals



Technical Data

<p>Material:</p> <ul style="list-style-type: none"> - Body: Nickel-plated brass - Earthing sleeve: Polished brass - Sealing cone: CR - O-ring: Perbunan® (NBR) 	<p>Locknuts: Add SM locknuts, page 545</p> <p>Temperature Range: -20°C to +80°C</p> <p>IP Protection: IP68, 10 bar</p>
---	---

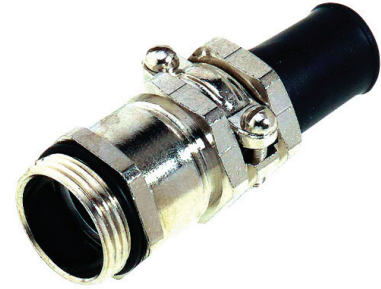
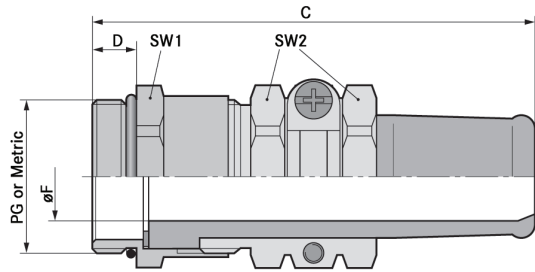
Perbunan® is a registered trademark of BAYER AG. Photographs are not to scale and are not true representations of the products in question. For current information go to our website. If not otherwise specified, all values relating to the product are nominal values.

SKINDICHT® SHVE Cable Clamp

Part Number	Connection Thread	PG Thread Compression Screw	Clear Width of Sealing Cone	Clear Width of Earthing Sleeve	øE Outer Jacket Diameter (inches)	øF Inner Jacket Diameter (inches)	SW Wrenching Flats (inches)		C Max. Overall Length (inches)	D Thread Length (inches)	Standard Pack Size
							SW1	SW2			
SKINDICHT® SHVE: PG											
52010400	PG 9	PG 9	0.236	0.126	0.158 - 0.229	0.087- 0.126	0.67	0.67	1.123	0.236	25
52010405	PG 9	PG 9	0.276	0.126	0.197 - 0.268	0.087- 0.126	0.67	0.67	1.123	0.236	25
52010415	PG 9	PG 9	0.236	0.142	0.158 - 0.229	0.102- 0.142	0.67	0.67	1.123	0.236	25
52010420	PG 9	PG 9	0.276	0.142	0.197 - 0.268	0.102- 0.142	0.67	0.67	1.123	0.236	25
52010440	PG 11	PG 11	0.276	0.177	0.197 - 0.268	0.138- 0.177	0.79	0.79	1.221	0.236	25
52010450	PG 11	PG 11	0.355	0.177	0.268 - 0.347	0.138- 0.177	0.79	0.79	1.221	0.236	25
52010460	PG 9	PG 13	0.355	0.197	0.268 - 0.347	0.138- 0.197	0.87	0.87	1.281	0.217	25
52010490	PG 11	PG 13	0.355	0.197	0.268 - 0.347	0.138- 0.197	0.87	0.87	1.281	0.217	25
52005070	PG 13	PG 13	0.355	0.197	0.268 - 0.347	0.138- 0.197	0.87	0.87	1.458	0.236	25
52010470	PG 9	PG 13	0.355	0.236	0.268 - 0.347	0.177- 0.236	0.87	0.87	1.281	0.217	25
52010500	PG 11	PG 13	0.355	0.236	0.268 - 0.347	0.177- 0.236	0.87	0.87	1.281	0.217	25
52005080	PG 13	PG 13	0.355	0.236	0.268 - 0.347	0.177- 0.236	0.87	0.87	1.458	0.236	25
52010480	PG 9	PG 13	0.433	0.276	0.335 - 0.426	0.217- 0.276	0.87	0.87	1.281	0.217	25
52010510	PG 11	PG 13	0.433	0.276	0.335 - 0.426	0.217- 0.276	0.87	0.87	1.281	0.217	25
52005090	PG 13	PG 13	0.433	0.276	0.335 - 0.426	0.217- 0.276	0.87	0.87	1.458	0.236	25
52010520	PG 11	PG 16	0.433	0.315	0.335 - 0.426	0.236- 0.315	0.95	0.95	1.379	0.217	25
52010560	PG 13	PG 16	0.433	0.315	0.335 - 0.426	0.236- 0.315	0.95	0.95	1.399	0.236	25
52005100	PG 16	PG 16	0.433	0.315	0.335 - 0.426	0.236- 0.315	0.95	0.95	1.478	0.236	25
52010530	PG 11	PG 16	0.512	0.355	0.426 - 0.504	0.276- 0.355	0.95	0.95	1.379	0.217	25
52010570	PG 13	PG 16	0.512	0.355	0.426 - 0.504	0.276- 0.355	0.95	0.95	1.399	0.236	25
52005110	PG 16	PG 16	0.512	0.355	0.426 - 0.504	0.276- 0.355	0.95	0.95	1.478	0.236	25
52010540	PG 11	PG 16	0.512	0.394	0.426 - 0.504	0.315- 0.394	0.95	0.95	1.379	0.217	25
52010580	PG 13	PG 16	0.512	0.394	0.426 - 0.504	0.315- 0.394	0.95	0.95	1.399	0.236	25
52005120	PG 16	PG 16	0.512	0.394	0.426 - 0.504	0.315- 0.394	0.95	0.95	1.478	0.236	25
52010550	PG 11	PG 16	0.591	0.433	0.473 - 0.583	0.355- 0.433	0.95	0.95	1.379	0.217	25
52010590	PG 13	PG 16	0.591	0.433	0.473 - 0.583	0.355- 0.433	0.95	0.95	1.399	0.236	25
52005130	PG 16	PG 16	0.591	0.433	0.473 - 0.583	0.355- 0.433	0.95	0.95	1.478	0.236	25
52010600	PG 16	PG 21	0.630	0.473	0.552 - 0.623	0.394- 0.473	1.18	1.18	1.517	0.256	25
52005140	PG 21	PG 21	0.630	0.473	0.552 - 0.623	0.394- 0.473	1.18	1.18	1.714	0.276	25
52010610	PG 16	PG 21	0.630	0.512	0.552 - 0.623	0.433- 0.512	1.18	1.18	1.517	0.256	25
52005150	PG 21	PG 21	0.630	0.512	0.552 - 0.623	0.433- 0.512	1.18	1.18	1.714	0.276	25
52010620	PG 16	PG 21	0.709	0.552	0.623 - 0.701	0.473- 0.552	1.18	1.18	1.517	0.256	25
52005160	PG 21	PG 21	0.709	0.552	0.623 - 0.701	0.473- 0.552	1.18	1.18	1.714	0.276	25
52010630	PG 16	PG 21	0.709	0.591	0.623 - 0.701	0.512- 0.591	1.18	1.18	1.517	0.256	25
52005170	PG 21	PG 21	0.709	0.591	0.623 - 0.701	0.512- 0.591	1.18	1.18	1.714	0.276	25
52010640	PG 16	PG 21	0.788	0.630	0.690 - 0.780	0.552- 0.630	1.18	1.18	1.517	0.256	25
52005180	PG 21	PG 21	0.788	0.630	0.690 - 0.780	0.552- 0.630	1.18	1.18	1.714	0.276	25
52005190	PG 29	PG 29	0.867	0.670	0.768 - 0.859	0.591- 0.670	1.58	1.58	1.872	0.315	10
52005200	PG 29	PG 29	0.867	0.709	0.768 - 0.859	0.630 - 0.709	1.58	1.58	1.872	0.315	10
52005210	PG 29	PG 29	0.946	0.749	0.847 - 0.938	0.670 - 0.749	1.58	1.58	1.872	0.315	10
52005240	PG 29	PG 29	1.024	0.749	0.926 - 1.017	0.670 - 0.749	1.58	1.58	1.872	0.315	10
SKINDICHT® SHVE-M: Metric											
52106860	M16 x 1.5	PG 9	0.236	0.126	0.177 - 0.229	0.087 - 0.123	0.71	0.67	1.044	0.197	25
52106870	M16 x 1.5	PG 9	0.276	0.126	0.177 - 0.268	0.087 - 0.127	0.71	0.67	1.044	0.197	25
52106880	M16 x 1.5	PG 9	0.236	0.142	0.217 - 0.229	0.102 - 0.125	0.71	0.67	1.044	0.197	25
52106890	M16 x 1.5	PG 9	0.276	0.142	0.217 - 0.268	0.102 - 0.145	0.71	0.67	1.044	0.197	25
52106910	M20 x 1.5	PG 11	0.276	0.177	0.118 - 0.268	0.138 - 0.178	0.87	0.79	1.221	0.236	25
52106920	M20 x 1.5	PG 11	0.355	0.177	0.236 - 0.347	0.138 - 0.175	0.87	0.79	1.221	0.236	25
52106930	M20 x 1.5	PG 13	0.355	0.197	0.256 - 0.347	0.138 - 0.197	0.87	0.87	1.261	0.236	25
52106940	M20 x 1.5	PG 13	0.355	0.236	0.236 - 0.347	0.177 - 0.234	0.87	0.87	1.261	0.236	25
52106950	M20 x 1.5	PG 13	0.433	0.276	0.315 - 0.426	0.217 - 0.273	0.87	0.87	1.261	0.236	25
52106960	M20 x 1.5	PG 16	0.433	0.315	0.335 - 0.426	0.236 - 0.312	0.95	0.95	1.359	0.236	25
52106970	M20 x 1.5	PG 16	0.512	0.355	0.394 - 0.504	0.276 - 0.355	0.95	0.95	1.359	0.236	25
52106980	M20 x 1.5	PG 16	0.512	0.394	0.394 - 0.504	0.315 - 0.394	0.95	0.95	1.359	0.236	25
52106990	M20 x 1.5	PG 16	0.591	0.433	0.493 - 0.583	0.355 - 0.435	0.95	0.95	1.359	0.236	25
52107000	M25 x 1.5	PG 21	0.63	0.473	0.512 - 0.623	0.394 - 0.479	1.18	1.18	1.537	0.276	25
52107010	M25 x 1.5	PG 21	0.63	0.512	0.512 - 0.623	0.433 - 0.512	1.18	1.18	1.537	0.276	25
52107020	M25 x 1.5	PG 21	0.709	0.552	0.611 - 0.701	0.473 - 0.552	1.18	1.18	1.537	0.276	25
52107030	M25 x 1.5	PG 21	0.709	0.591	0.591 - 0.701	0.512 - 0.591	1.18	1.18	1.537	0.276	25
52107040	M25 x 1.5	PG 21	0.788	0.630	0.690 - 0.780	0.552 - 0.630	1.18	1.18	1.537	0.276	25
52107050	M32 x 1.5	PG 29	0.867	0.670	0.749 - 0.859	0.591 - 0.671	1.58	1.58	1.793	0.315	10
52107060	M32 x 1.5	PG 29	0.867	0.709	0.709 - 0.938	0.630 - 0.709	1.58	1.58	1.793	0.315	10
52107070	M32 x 1.5	PG 29	0.946	0.749	0.788 - 0.938	0.670 - 0.749	1.58	1.58	1.793	0.315	10
52107080	M32 x 1.5	PG 29	1.024	0.749	0.906 - 1.017	0.670 - 0.749	1.58	1.58	1.793	0.315	10

SKINDICHT® SR/SR-M Cable Clamp

Nickel-Plated Strain Relief with Single Saddle Clamp & Special Neoprene Bushing, PG & Metric Thread



The SKINDICHT® SR cable clamp is a compact strain relief cable gland constructed of corrosion-resistant nickel-plated brass. Strain relief is achieved by use of specially formed nickel-plated brass saddle clamps and a full length neoprene bushing that protects the cable from over-stress and conductor breakage while providing an effective and durable seal.

Application Advantage

- The neoprene bushing provides both a seal and high bend protection
- Strain relief is achieved through the specially formed saddle clamps

Approvals



Technical Data

<p>Material:</p> <ul style="list-style-type: none"> - Body: Nickel-plated brass - Saddle clamp: Nickel-plated brass - Screws & bracket: Nickel-plated brass - O-ring: Perbunan® (NBR) - Anti-kink protection: <ul style="list-style-type: none"> - PG: CR - Metric: CR/NBR 	<p>Locknuts: Add SM locknuts, page 545</p> <p>Temperature Range: -20°C to +80°C</p> <p>IP Protection: IP65</p>
---	---

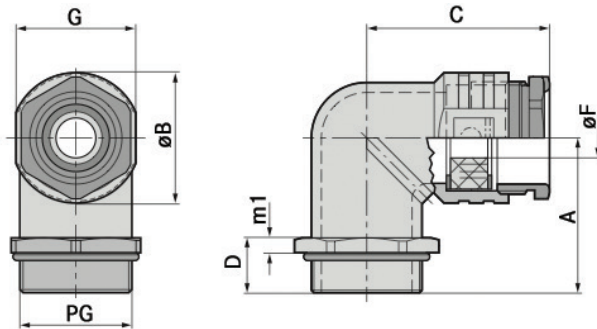
Perbunan® is a registered trademark of BAYER AG. Photographs are not to scale and are not true representations of the products in question. For current information go to our website. If not otherwise specified, all values relating to the product are nominal values.

SKINDICHT® SR/SR-M Cable Clamp

Part Number	Thread Type & Size	Inner Thread Size	Clear Opening Seal	øF Clamping Range		SW Wrenching Flats (inches)		C Max. Overall Length (inches)	D Thread Length (inches)	Max. Installation Diameter (inches)	Standard Pack Size
				(inches)	(mm)	SW1	SW2				
SKINDICHT® SR: PG											
52000990	PG 7	PG 5	0.20	0.138 - 0.197	3.5 - 5.0	0.55	0.59	1.968	0.197	0.91	50
52001000	PG 9	PG 7	0.28	0.217 - 0.276	5.5 - 7.0	0.67	0.67	2.039	0.236	0.98	50
52001010	PG 11	PG 7	0.28	0.217 - 0.276	5.5 - 7.0	0.79	0.79	2.206	0.236	1.10	25
52001020	PG 11	PG 9	0.35	0.295 - 0.354	7.5 - 9.0	0.79	0.79	2.206	0.236	1.10	25
52001030	PG 13	PG 9	0.35	0.295 - 0.354	7.5 - 9.0	0.87	0.87	2.422	0.256	1.26	25
52001040	PG 13	PG 11	0.43	0.354 - 0.433	9.0 - 11.0	0.87	0.87	2.422	0.256	1.26	25
52001050	PG 13	PG 13	0.51	0.433 - 0.512	11.0 - 13.0	0.87	0.87	2.422	0.256	1.26	25
52001060	PG 16	PG 13	0.51	0.453 - 0.512	11.5 - 13.0	0.94	0.94	2.639	0.256	1.38	25
52001070	PG 16	PG 15	0.59	0.512 - 0.591	13.0 - 15.0	0.94	0.94	2.639	0.256	1.38	25
52001080	PG 21	PG 15	0.59	0.531 - 0.591	13.5 - 15.0	1.18	1.18	3.112	0.276	1.81	25
52001090	PG 21	PG 17	0.67	0.591 - 0.669	15.0 - 17.0	1.18	1.18	3.112	0.276	1.81	25
52001100	PG 21	PG 19	0.75	0.669 - 0.748	17.0 - 19.0	1.18	1.18	3.112	0.276	1.81	25
52001110	PG 21	PG 20	0.79	0.709 - 0.787	18.0 - 20.0	1.18	1.18	3.112	0.276	1.81	25
52001120	PG 29	PG 20	0.79	0.709 - 0.787	18.0 - 20.0	1.57	1.61	3.585	0.315	2.32	10
52001130	PG 29	PG 23	0.91	0.827 - 0.906	21.0 - 23.0	1.57	1.61	3.585	0.315	2.32	10
52001140	PG 29	PG 25	0.98	0.906 - 0.984	23.0 - 25.0	1.57	1.61	3.585	0.315	2.32	10
52001150	PG 36	PG 26	1.02	0.906 - 1.024	23.0 - 26.0	1.97	1.97	4.334	0.354	2.76	5
52001160	PG 36	PG 30	1.18	1.063 - 1.181	27.0 - 30.0	1.97	1.97	4.334	0.354	2.76	5
52001170	PG 36	PG 33	1.30	1.181 - 1.299	30.0 - 33.0	1.97	1.97	4.334	0.354	2.76	5
52001180	PG 36	PG 35	1.38	1.260 - 1.378	32.0 - 35.0	1.97	1.97	4.334	0.354	2.76	5
52001190	PG 42	PG 35	1.38	1.260 - 1.378	32.0 - 35.0	2.24	2.24	4.491	0.394	2.95	5
52001200	PG 42	PG 38	1.50	1.378 - 1.496	35.0 - 38.0	2.24	2.24	4.491	0.394	2.95	5
52001210	PG 42	PG 40	1.57	1.417 - 1.575	36.0 - 40.0	2.24	2.24	4.491	0.394	2.95	5
52001220	PG 48	PG 40	1.57	1.417 - 1.575	36.0 - 40.0	2.52	2.52	4.688	0.394	3.27	1
52001230	PG 48	PG 44	1.73	1.575 - 1.732	40.0 - 44.0	2.52	2.52	4.688	0.394	3.27	1
SKINDICHT® SR-M: Metric											
52106410	M12 x 1.5	PG 7	0.20	0.157 - 0.197	4.0 - 5.0	0.55	0.59	1.930	0.197	0.91	50
52106420	M16 x 1.5	PG 9	0.28	0.217 - 0.275	5.5 - 7.0	0.71	0.67	1.970	0.197	0.98	50
52106430	M20 x 1.5	PG 11	0.28	0.217 - 0.275	5.5 - 7.0	0.87	0.79	2.167	0.236	1.10	25
52106440	M20 x 1.5	PG 11	0.35	0.295 - 0.354	7.5 - 9.0	0.87	0.79	2.167	0.236	1.10	25
52106450	M20 x 1.5	PG 13	0.35	0.295 - 0.354	7.5 - 9.0	0.87	0.87	2.364	0.236	1.26	25
52106460	M20 x 1.5	PG 13	0.43	0.354 - 0.433	9.0 - 11.0	0.87	0.87	2.364	0.236	1.26	25
52106470	M20 x 1.5	PG 13	0.51	0.433 - 0.512	11.0 - 13.0	0.87	0.87	2.364	0.236	1.26	25
52106480	M20 x 1.5	PG 16	0.51	0.472 - 0.512	12.0 - 13.0	0.94	0.94	2.561	0.236	1.38	25
52106481	M20 x 1.5	PG 16	0.59	0.512 - 0.591	13.0 - 15.0	0.94	0.94	2.600	0.236	1.38	25
52106490	M25 x 1.5	PG 21	0.59	0.492 - 0.591	12.5 - 15.0	1.18	1.18	3.092	0.275	1.81	25
52106500	M25 x 1.5	PG 21	0.67	0.551 - 0.669	14.0 - 17.0	1.18	1.18	3.092	0.275	1.81	25
52106510	M25 x 1.5	PG 21	0.75	0.669 - 0.748	17.0 - 19.0	1.18	1.18	3.092	0.275	1.81	25
52106520	M25 x 1.5	PG 21	0.79	0.669 - 0.788	17.0 - 20.0	1.18	1.18	3.092	0.275	1.81	25
52106530	M32 x 1.5	PG 29	0.79	0.748 - 0.788	19.0 - 20.0	1.57	1.61	3.565	0.315	2.32	10
52106540	M32 x 1.5	PG 29	0.91	0.866 - 0.906	22.0 - 23.0	1.57	1.61	3.565	0.315	2.32	10
52106550	M32 x 1.5	PG 29	0.98	0.906 - 0.985	23.0 - 25.0	1.57	1.61	3.565	0.315	2.32	10
52106560	M40 x 1.5	PG 36	1.02	0.945 - 1.024	24.0 - 26.0	1.97	1.97	4.255	0.315	2.76	5
52106570	M40 x 1.5	PG 36	1.18	1.103 - 1.182	28.0 - 30.0	1.97	1.97	4.255	0.315	2.76	5
52106580	M40 x 1.5	PG 36	1.30	1.221 - 1.300	31.0 - 33.0	1.97	1.97	4.255	0.315	2.76	5
52106590	M40 x 1.5	PG 36	1.38	1.300 - 1.359	33.0 - 34.5	1.97	1.97	4.255	0.315	2.76	5
52106600	M50 x 1.5	PG 42	1.38	1.221 - 1.359	31.0 - 34.5	2.24	2.24	4.373	0.354	2.95	5
52106610	M50 x 1.5	PG 42	1.50	1.260 - 1.497	32.0 - 38.0	2.24	2.24	4.373	0.354	2.95	5
52106620	M50 x 1.5	PG 42	1.57	1.457 - 1.576	37.0 - 40.0	2.24	2.24	4.373	0.354	2.95	5
52106630	M63 x 1.5	PG 48	1.57	1.260 - 1.576	32.0 - 40.0	2.60	2.52	4.649	0.394	3.27	1
52106640	M63 x 1.5	PG 48	1.73	1.418 - 1.733	36.0 - 44.0	2.60	2.52	4.649	0.394	3.27	1

SKINDICHT® RWV Cable Gland

Nickel-Plated Die Cast Zinc 90° Elbow Strain Relief with PG Thread



The SKINDICHT® RWV metallic cable gland has a compact 90° elbow design, constructed of corrosion-resistant nickel-plated die-cast zinc with an internal neoprene seal. The SKINDICHT® RWV elbow cable gland can also be used in conjunction with any SKINTOP® PG metallic fitting shown in the catalog to achieve desired connections.

Application Advantage

- Compact, durable 90° strain relief
- Ideal for applications where space is an issue and cables must run parallel to the housing unit

Approvals



Technical Data

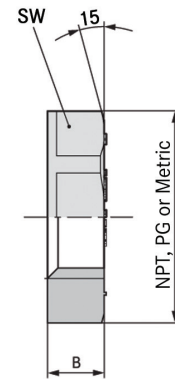
Material: - Body: - Pressure screw: - Nut: - Bushing: - O-ring:	Die-cast zinc	Temperature Range: - with sealing ring: - without sealing ring:	-20°C to +80°C
	Nickel-plated brass		-20°C to +100°C
	Nickel-plated brass		
	CR		
	NBR		
Locknuts:	Add SM locknuts, page 545	IP Protection:	IP55

Part Number	Thread Type & Size	A (inches)	øB (inches)	G (inches)	øF Incised Sealing Ring Size (inches)	C Max. Overall Length (inches)	D Thread Length (inches)	Standard Pack Size
SKINDICHT® RWV								
52004180	PG 7	0.808	0.603	0.552	0.197	1.024	0.335	25
52004190	PG 9	0.926	0.721	0.670	0.197 / 0.315	1.103	0.374	25
52004200	PG 11	1.024	0.863	0.788	0.276 / 0.394 / 0.493	1.241	0.394	25
52004210	PG 13	1.123	0.946	0.867	0.276 / 0.414 / 0.512 / 0.630	1.359	0.414	25
52004220	PG 16	1.221	1.028	0.946	0.315 / 0.414 / 0.532 / 0.630	1.399	0.433	10
52005420	PG 21	1.320	1.281	1.182	0.433 / 0.591 / 0.709 / 0.788	1.675	0.453	10
52004225	PG 29	1.694	1.655	1.576	0.749 / 0.906 / 1.064 / 1.221	1.931	0.512	10

Photographs are not to scale and are not true representations of the products in question.
For current information go to our website. If not otherwise specified, all values relating to the product are nominal values.

SKINTOP® GMP-GL/GMP-HF

Hexagonal Locknuts for NPT, PG & Metric Strain Relief Cable Glands



Designed for use with SKINTOP® cable glands with NPT, PG & metric threads.

■ Approvals: NPT & Halogen-free Metric



■ Approvals: PG*



■ Approvals: Metric*



■ Technical Data

Material: - Body: Polyamide, glass fiber-reinforced - Halogen-free: Halogen-free polyamide, V-0 per UL 94	Color:	Black (RAL 9005), UV resistant Gray (RAL 7001) Light gray (RAL 7035), halogen-free
	Temperature Range:	-20°C to +100°C

Part Number			Thread Type & Size	SW Wrenching Flats (inches)	B Nut Thickness (inches)	Standard Pack Size
Black	Gray	Light Gray Halogen-free				
SKINTOP® GMP-GL: NPT						
911370	—	—	NPT 3/8"	0.866	0.198	100
911371	—	—	NPT 1/2"	1.063	0.236	100
911372	—	—	NPT 3/4"	1.417	0.276	50
911373	—	—	NPT 1"	1.654	0.276	50
SKINTOP® GMP-GL: PG						
53019200	53019000	—	PG 7	0.748	0.197	100
53019210	53019010	—	PG 9	0.866	0.197	100
53019220	53019020	—	PG 11	0.945	0.197	100
53019230	53019030	—	PG 13	1.063	0.236	100
53019240	53019040	—	PG 16	1.181	0.236	100
53019250	53019050	—	PG 21	1.418	0.276	50
53019260	53019060	—	PG 29	1.812	0.276	50
53019270	53019070	—	PG 36	2.364	0.315	25
53019280	50319080	—	PG 42	2.561	0.315	25
53019290	53019090	—	PG 48	2.758	0.315	25
SKINTOP® GMP-GL/ GMP-HF: Metric						
53119100	53119000	53119200	M12 x 1.5	0.669	0.197	100
53119110	53119010	53119210	M16 x 1.5	0.866	0.197	100
53119120	53119020	53119220	M20 x 1.5	1.063	0.236	100
53119130	53119030	53119230	M25 x 1.5	1.339	0.236	100
53119140	53119040	53119240	M32 x 1.5	1.615	0.276	100
53119150	53119050	53119250	M40 x 1.5	1.970	0.276	25
53119160	53119060	53119260	M50 x 1.5	2.364	0.315	25
53119170	53119070	53119270	M63 x 1.5	2.955	0.315	25

* UL only when used with UL approved SKINTOP® polyamide cable glands

Photographs are not to scale and are not true representations of the products in question.
 For current information go to our website. If not otherwise specified, all values relating to the product are nominal values.

SKINDICHT® SM Locknuts

Nickel-Plated Brass Locknuts for NPT, PG & Metric Strain Relief Cable Glands

NPT



PG & Metric



■ Approvals



SKINDICHT® SM locknuts are required wherever NPT, PG or metric cable glands must be fastened to a housing, and tapped holes cannot be provided.

■ Technical Data

■ Material:

- NPT: Stamped steel
- PG & metric: Nickel-plated brass

Part Number	Thread Type & Size	Wrenching Flats	Nut Thickness (inches)	Standard Pack Size
SKINDICHT® SM: NPT				
811092*	NPT 3/8"	0.945	0.138	100
811093	NPT 1/2"	1.102	0.157	100
811094	NPT 3/4"	1.378	0.157	50
811095	NPT 1"	1.693	0.157	50
SKINDICHT® SM: PG				
52003490	PG 7	0.591	0.110	100
52003500	PG 9	0.709	0.110	100
52003510	PG 11	0.827	0.118	100
52003520	PG 13	0.906	0.118	100
52003530	PG 16	1.024	0.118	100
52003540	PG 21	1.260	0.137	50
52003550	PG 29	1.614	0.157	50
52003560	PG 36	2.009	0.197	25
52003570	PG 42	2.364	0.197	25
52003580	PG 48	2.521	0.216	25
SKINDICHT® SM: Metric				
52103000	M12 x 1.5	0.591	0.118	100
52013010	M16 x 1.5	0.748	0.118	100
52103020	M20 x 1.5	0.945	0.138	100
52103030	M25 x 1.5	1.182	0.157	100
52103040	M32 x 1.5	1.418	0.157	100
52103050	M40 x 1.5	1.812	0.197	50
52103060	M50 x 1.5	2.364	0.197	50
52103070	M63 x 1.5	2.758	0.197	25
52103071	M75 x 1.5	3.349	0.315	5
52103072	M90 x 2.0	4.018	0.394	1
52103073	M110 x 2.0	4.885	0.472	1

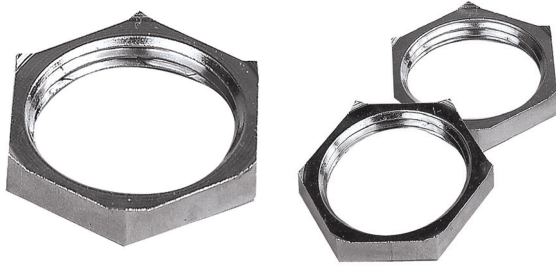
*Product features a hex design.

Photographs are not to scale and are not true representations of the products in question.

For current information go to our website. If not otherwise specified, all values relating to the product are nominal values.

SKINDICHT® SM-PE Locknuts

Nickel-Plated Brass Grounding Locknuts for PG & Metric Strain Relief Cable Glands




SKINDICHT® SM-PE locknuts are required wherever varnished, anodized, and powder-coated housings are used. When the locknut is tightened, the raised edges cut through the insulating layer, guaranteeing optimum contact. Ideal for use with SKINTOP® MS-SC or SKINTOP® BRUSH grounding cable glands.

Approvals



Technical Data

 **Material:** Nickel-plated brass

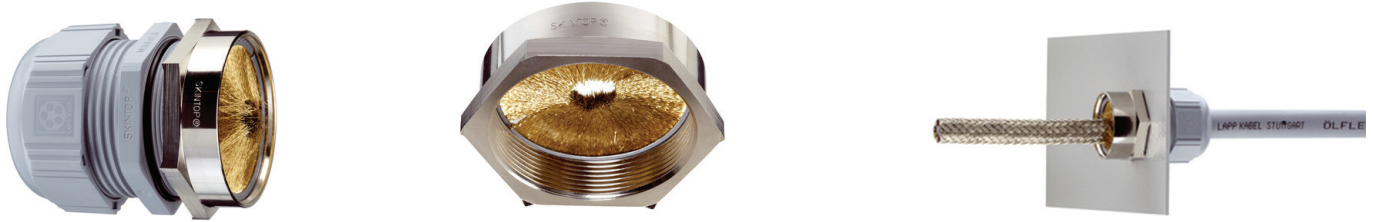
Part Number	Thread Type & Size	Wrenching Flats	Nut Thickness (inches)	Standard Pack Size
SKINDICHT® SM-PE: PG				
52103200	PG 7	0.591	0.185	100
52103210	PG 9	0.709	0.185	100
52103220	PG 11	0.827	0.185	100
52103230	PG 13	0.906	0.185	100
52103240	PG 16	1.024	0.185	100
52103250	PG 21	1.260	0.204	50
52103260	PG 29	1.615	0.224	50
52103270	PG 36	2.009	0.263	50
SKINDICHT® SM-PE: Metric				
52103300	M12 x 1.5	0.591	0.137	100
52103310	M16 x 1.5	0.748	0.137	100
52103320	M20 x 1.5	0.945	0.145	100
52103330	M25 x 1.5	1.182	0.165	50
52103340	M32 x 1.5	1.418	0.185	50
52103350	M40 x 1.5	1.812	0.216	25
52103360	M50 x 1.5	2.364	0.216	10
52103370	M63 x 1.5	2.758	0.275	10
52103371	M75 x 1.5	3.349	0.315	5
52103372	M90 x 2.0	4.018	0.394	1
52103373	M110 x 2.0	4.885	0.472	1

Photographs are not to scale and are not true representations of the products in question.

For current information go to our website. If not otherwise specified, all values relating to the product are nominal values.

SKINTOP® BRUSH Add-on

EMC Fitting for Polyamide Glands with Metric Thread



The SKINTOP® BRUSH Add-on is an innovative grounding solution for polyamide glands. The brush design provides a 360° screen contact. When the fitting is tightened, the raised edges cut through the insulation layer of the housing, guaranteeing a reliable EMC contact.

Application Advantage

- Reliable EMI protection
- Optimum, low resistance 360° screen contact
- Easy and quick assembling and disassembling

Approvals



Technical Data

Material:

- Body: Nickel-plated brass
- Brush: Brass

Approvals:

UL pending

Temperature Range:

-70°C to +200°C

Part Number	Thread Type & Size	Minimum Ø Above Braiding		SW Wrenching Flats (inches)	Thread Length (inches)	Standard Pack Size
		(inches)	(mm)			
SKINTOP® BRUSH Add-on						
54110840	M16 x 1.5	0.197	5	0.945	0.394	25
54110841	M20 x 1.5	0.197	5	0.945	0.394	10
54110842	M25 x 1.5	0.197	5	1.182	0.394	10
54110843	M32 x 1.5	0.315	8	1.536	0.472	10
54110844	M40 x 1.5	0.394	10	1.851	0.472	5
54110845	M50 x 1.5	0.551	14	2.206	0.472	5

Photographs are not to scale and are not true representations of the products in question.
For current information go to our website. If not otherwise specified, all values relating to the product are nominal values.

SKINTOP® DIX Bushings/DIX-DV Inserts

Multiple Cable Sealing Bushings for PG & Polyamide NPT Strain Relief Cable Glands



SKINTOP® DIX is a multiple-hole sealing bushing designed to allow several cables to be inserted through one cable gland. This results in a reduction of space and cost as a separate cable gland is not required for each cable.

Approvals



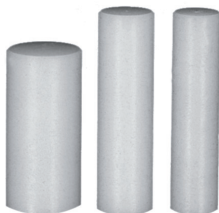
Technical Data	
Material:	
- DIX Bushings:	Silicone
- DIX-DV Inserts:	Polyamide
Temperature Range:	-40°C to +100°C
Color:	
- DIX bushings:	Natural
- DIX-DV inserts:	Natural
Protection:	IP54 IP68 when all holes are optimally filled*

For metal NPT glands, use SKINTOP® DIX-M bushings, page 549.

Part Number	PG SKINTOP® Size	Polyamide NPT SKINTOP® Size	Number of Holes	Size of Holes		Standard Pack Size
				(inches)	(mm)	
SKINDICHT® DIX Bushings						
53607225	PG 7	—	2	0.098	2.5	100
53607417	PG 7	—	4	0.067	1.7	100
53609230	PG 9	NPT 3/8"	2	0.118	3.0	100
53611225	PG 11	—	2	0.098	2.5	100
53611240	PG 11	—	2	0.157	4.0	100
53611330	PG 11	—	3	0.118	3.0	100
53611430	PG 11	—	4	0.118	3.0	100
53613250	PG 13	NPT 1/2"	2	0.197	5.0	100
53613340	PG 13	NPT 1/2"	3	0.157	4.0	100
53613440	PG 13	NPT 1/2"	4	0.157	4.0	100
53616140	PG 16	—	1	0.157	4.0	50
53616225	PG 16	—	2	0.098	2.5	50
53616240	PG 16	—	2	0.157	4.0	50
53616260	PG 16	—	2	0.236	6.0	50
53616340	PG 16	—	3	0.157	4.0	50
53616350	PG 16	—	3	0.197	5.0	50
53616356	PG 16	—	3	0.220	5.6	50
53616360	PG 16	—	3	0.236	6.0	50
53616440	PG 16	—	4	0.157	4.0	50
53616450	PG 16	—	4	0.197	5.0	50
53616540	PG 16	—	5	0.157	4.0	50
53621270	PG 21	NPT 3/4"	2	0.276	7.0	50
53621280	PG 21	NPT 3/4"	2	0.315	8.0	50
53621370	PG 21	NPT 3/4"	3	0.275	7.0	50
53621380	PG 21	NPT 3/4"	3	0.315	8.0	50
53621460	PG 21	NPT 3/4"	4	0.236	6.0	50
53621550	PG 21	NPT 3/4"	5	0.197	5.0	50
53621640	PG 21	NPT 3/4"	6	0.157	4.0	50
53629290	PG 29	NPT 1"	2	0.354	9.0	50
53629390	PG 29	NPT 1"	3	0.354	9.0	50
53629470	PG 29	NPT 1"	4	0.275	7.0	50
53629480	PG 29	NPT 1"	4	0.315	8.0	50
53629490	PG 29	NPT 1"	4	0.354	9.0	50
53629556	PG 29	NPT 1"	5	0.220	5.6	50
53629570	PG 29	NPT 1"	5	0.275	7.0	50
53629675	PG 29	NPT 1"	6	0.295	7.5	50

* Size of holes is equal to the size of cable OD.

Inserts for SKINTOP® DIX NPT, PG & Metric



SKINTOP® DIX-DV inserts are designed to seal unused positions in SKINTOP® DIX bushings, which need to be closed to ensure the proper class protection.

Part Number	Diameter		Length		Standard Pack Size
	(inches)	(mm)	(inches)	(mm)	
SKINDICHT® DIX-DV Inserts					
53100003	0.118	3.0	0.354	9	100
53100004	0.157	4.0	0.354	9	100
53100005	0.197	5.0	0.433	11	100
53100006	0.236	6.0	0.551	14	100
53100007	0.275	7.0	0.551	14	100
53100008	0.315	8.0	0.551	14	100
53100009	0.354	9.0	0.551	14	100





Photographs are not to scale and are not true representations of the products in question.

For current information go to our website. If not otherwise specified, all values relating to the product are nominal values.

SKINTOP® DIX-M Bushings

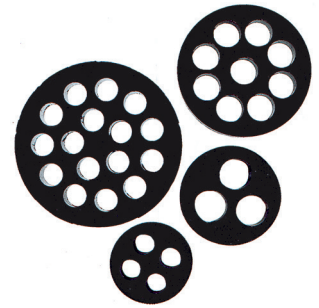
Multiple Cable Sealing Bushings for Metric & Metallic NPT Strain Relief Cable Glands

Technical Data

 Material:	NBR (rubber)
 Temperature Range:	-40°C to +100°C
 Color:	Black (RAL 9005)
 IP Protection:	IP54 IP68 when all holes are optimally filled*

Special shapes are available upon request, contact sales for details.

SKINTOP® DIX is a multiple-hole sealing bushing designed to allow several cables to be inserted through one cable gland. This results in a reduction of space and cost as a separate cable gland is not required for each cable.



Approvals



For polyamide NPT glands, use SKINTOP® DIX bushings, page 548.

Part Number	Metric SKINTOP® Size	Metal NPT SKINTOP® Size	Number of Holes	Size of Holes		Standard Pack Size
				(inches)	(mm)	
SKINDICHT® DIX-M Bushings						
53316220	M16	NPT 3/8"	2	0.078	2.0	100
53316230	M16	NPT 3/8"	2	0.118	3.0	100
53316240	M16	NPT 3/8"	2	0.157	4.0	100
53320250	M20	NPT 1/2"	2	0.197	5.0	100
53320260	M20	NPT 1/2"	2	0.236	6.0	100
53320340	M20	NPT 1/2"	3	0.157	4.0	100
53320353	M20	NPT 1/2"	3	0.208	5.3	100
53320430	M20	NPT 1/2"	4	0.118	3.0	100
53320440	M20	NPT 1/2"	4	0.157	4.0	100
53320920	M20	NPT 1/2"	9	0.078	2.0	100
53325260	M25	NPT 3/4"	2	0.236	6.0	50
53325350	M25	NPT 3/4"	3	0.197	5.0	50
53325360	M25	NPT 3/4"	3	0.236	6.0	50
53325370	M25	NPT 3/4"	3	0.275	7.0	50
53325450	M25	NPT 3/4"	4	0.197	5.0	50
53325540	M25	NPT 3/4"	5	0.157	4.0	50
53325640	M25	NPT 3/4"	6	0.157	4.0	50
53332270	M32	NPT 1"	2	0.275	7.0	50
53332280	M32	NPT 1"	2	0.315	8.0	50
53332290	M32	NPT 1"	2	0.354	9.0	50
53332370	M32	NPT 1"	3	0.275	7.0	50
53332380	M32	NPT 1"	3	0.315	8.0	50
53332460	M32	NPT 1"	4	0.236	6.0	50
53332470	M32	NPT 1"	4	0.275	7.0	50
53332560	M32	NPT 1"	5	0.236	6.0	50
53332650	M32	NPT 1"	6	0.197	5.0	50
53332840	M32	NPT 1"	8	0.157	4.0	50
53332850	M32	NPT 1"	8	0.197	5.0	50
53332940	M32	NPT 1"	9	0.157	4.0	50
53340290	M40	NPT 1 1/4"	2	0.354	9.0	25
53340310	M40	NPT 1 1/4"	3	0.394	10.0	25
53340480	M40	NPT 1 1/4"	4	0.315	8.0	25
53340490	M40	NPT 1 1/4"	4	0.354	9.0	25
53340580	M40	NPT 1 1/4"	5	0.315	8.0	25
53340590	M40	NPT 1 1/4"	5	0.354	9.0	25
53340670	M40	NPT 1 1/4"	6	0.275	7.0	25
53340860	M40	NPT 1 1/4"	8	0.236	6.0	25
53340969	M40	NPT 1 1/4"	9	0.271	6.9	25
53350680	M50	NPT 1 1/2"	6	0.315	8.0	10
53350780	M50	NPT 1 1/2"	7	0.315	8.0	10
53350870	M50	NPT 1 1/2"	8	0.275	7.0	10
53350118	M50	NPT 1 1/2"	11	0.315	8.0	10
53350147	M50	NPT 1 1/2"	14	0.275	7.0	10
53350164	M50	NPT 1 1/2"	16	0.157	4.0	10
53350166	M50	NPT 1 1/2"	16	0.236	6.0	10

* Size of holes is equal to the size of cable OD.

Photographs are not to scale and are not true representations of the products in question.

For current information go to our website. If not otherwise specified, all values relating to the product are nominal values.


SKINTOP® SD

Dust- & Moisture-Proof Plugs for NPT, PG & Metric Strain Relief Cable Glands



SKINTOP® SD is designed for use when a SKINTOP® cable gland is installed without a cable. The plugs prevent dust and dirt from entering the housing interior until final cable installation is completed.

Technical Data

 **Material:** PE foam

Approvals



Part Number	PG SKINTOP® Size	Metric SKINTOP® Size	NPT SKINTOP® Size		Diameter		Thickness		Standard Pack Size
			Polyamide	Metal	(inches)	(mm)	(inches)	(mm)	
SKINDICHT® SD									
52025235	PG 7	—	—	—	0.413	10.5	0.078	2	500
52025240	PG 9	—	NPT 3/8"	—	0.531	13.5	0.078	2	500
52025250	PG 11	—	—	—	0.669	17.0	0.078	2	250
52025260	PG 13	—	NPT 1/2"	—	0.728	18.5	0.078	2	250
52025270	PG 16	—	—	—	0.807	20.5	0.078	2	250
52025280	PG 21	—	NPT 3/4"	—	1.024	26.0	0.078	2	100
52025290	PG 29	—	NPT 1"	—	1.359	34.5	0.078	2	100
52025291	PG 36	—	—	—	1.753	44.5	0.078	2	100
54113100	—	M12	—	NPT 1/4"	0.453	11.5	0.078	2	100
54113110	—	M16	—	NPT 3/8"	0.591	15.0	0.078	2	100
54113120	—	M20	—	NPT 1/2"	0.788	20.0	0.078	2	100
54113130	—	M25	—	NPT 3/4"	0.985	25.0	0.078	2	50
54113140	—	M32	—	NPT 1"	1.182	30.0	0.078	2	50
54113150	—	M40	—	NPT 1 1/4"	1.576	40.0	0.078	2	25
54113160	—	M50	—	NPT 1 1/2"	1.930	49.0	0.078	2	25
54113170	—	M63	—	NPT 2"	2.285	58.0	0.078	2	25


SKINTOP® DV

Dust- & Moisture-Proof Plugs for NPT, PG & Metric Strain Relief Cable Glands



SKINTOP® DV is designed for use when a SKINTOP® cable gland is installed without a cable. They prevent dust, dirt, and moisture from entering the housing interior until final cable installation is completed.

Technical Data

 **Material:** CR

Approvals






Part Number	PG SKINTOP® Size	Metric SKINTOP® Size	NPT SKINTOP® Size		Diameter		Thickness		Standard Pack Size
			Polyamide	Metal	(inches)	(mm)	(inches)	(mm)	
SKINDICHT® DV									
53800640	PG 7	—	—	—	0.275	7.0	0.256	6.5	500
53800641	PG 9	—	NPT 3/8"	—	0.334	8.5	0.295	7.5	500
53800579	PG 11	—	—	—	0.413	10.5	0.334	8.5	250
53800583	PG 13	—	NPT 1/2"	—	0.492	12.5	0.334	8.5	250
53800642	PG 16	—	—	—	0.571	14.5	0.354	9.0	250
53800643	PG 21	—	NPT 3/4"	—	0.728	18.5	0.433	11.0	100
54113000	—	M12	—	NPT 1/4"	0.283	7.2	0.275	7.0	500
54113010	—	M16	—	NPT 3/8"	0.394	10.0	0.315	8.0	500
54113020	—	M20	—	NPT 1/2"	0.520	13.2	0.330	8.4	250
54113030	—	M25	—	NPT 3/4"	0.677	17.2	0.374	9.5	250
54113040	—	M32	—	NPT 1"	0.835	21.2	0.472	12.0	250
54113050	—	M40	—	NPT 1 1/4"	1.111	28.2	0.571	14.5	100
54113060	—	M50	—	NPT 1 1/2"	1.410	35.8	0.709	18.0	100
54113070	—	M63	—	NPT 2"	1.796	45.6	0.788	20.0	50

Photographs are not to scale and are not true representations of the products in question.

For current information go to our website. If not otherwise specified, all values relating to the product are nominal values.

SKINDICHT® BL & BL-M Hole Plugs

Brass Plugs for use in PG and Metric Threaded Holes

Technical Data	
 Material:	
- Body:	Nickel-plated brass
- O-ring:	NBR
 Temperature Range:	
- with O-ring:	-30°C to +100°C
- without O-ring:	-60°C to +200°C
 IP Protection:	
	IP54
	IP68 with O-ring

Approvals



Part Number		Thread Type & Size	Outer Diameter (inches)	Standard Pack Size
Without O-ring	With O-ring			
PG Plugs				
52002680	54001610	PG 7	0.55	100
52003390	54000071	PG 9	0.67	100
52003400	54000040	PG 11	0.79	100
52003410	54001630	PG 13	0.87	100
52003420	54001640	PG 16	0.95	100
52003430	54001660	PG 21	1.18	50
52003440	54001620	PG 29	1.54	50
52003450	54001650	PG 36	1.97	25
52003460	54001670	PG 42	2.25	10
52002790	54001680	PG 48	2.52	10
Metric Plugs				
52103100	52103105	M12 x 1.5	0.55	100
52103110	52103115	M16 x 1.5	0.71	100
52103120	52103125	M20 x 1.5	0.87	100
52103130	52103135	M25 x 1.5	1.10	100
52103140	52103145	M32 x 1.5	1.38	50
52103150	52103155	M40 x 1.5	1.73	25
52103160	52103165	M50 x 1.5	2.13	10
52103170	52103175	M63 x 1.5	2.76	10
-	52103190	M75 x 1.5	3.15	1

With O-ring



Without O-ring



SKINDICHT® BLK & BLK-M Hole Plugs

Plastic Plugs for use in PG and Metric Threaded Holes

Part Number		Thread Type & Size	Thread Length (inches)	Standard Pack Size	Part Number		Thread Type & Size	Thread Length (inches)	Standard Pack Size
BLK	BLK-GL				BLK	BLK-GL			
PG Plugs									
52005949	52024848	PG 7	0.24	100	52005990	52024853	PG 21	0.31	50
52005950	52024849	PG 9	0.24	100	52006000	52024854	PG 29	0.31	50
52005960	52024850	PG 11	0.24	100	52006010	52024855	PG 36	0.39	25
52005970	52024851	PG 13	0.24	100	52006020	52024856	PG 42	0.39	25
52005980	52024852	PG 16	0.24	100	52006030	52024857	PG 48	0.47	25





BLK & BLK-GL



Part Number	Part Number		Part Number		Thread Type & Size	Thread Length (inches)	Standard Pack Size
	BLK-M	BLK-GL-M (Silver Gray)		BLK-GL-M (Black)			
	Without O-ring	With O-ring	Without O-ring	With O-ring			
Metric Plugs							
52006600	52006101	52006109	52006103	52006106	M12 x 1.5	0.24	100
52006610	52006111	52006119	52006113	52006116	M16 x 1.5	0.24	100
52006620	52006121	52006129	52006123	52006126	M20 x 1.5	0.24	100
52006630	52006131	52006139	52006133	52006136	M25 x 1.5	0.31	100
52006640	52006141	52006149	52006143	52006146	M32 x 1.5	0.31	50
52006650	52006151	52006159	52006153	52006156	M40 x 1.5	0.31	25
52006660	52006161	52006169	52006163	52006166	M50 x 1.5	0.39	25
52006670	52006171	52006179	52006173	52006176	M63 x 1.5	0.47	25

BLK-M & BLK-GL-M



Technical Data	
 Material:	
- BLK & BLK-M:	Polystyrene
- BLK-GL & BLK-GL-M:	Glass fiber reinforced polyamide
 Color:	
- BLK, BLK-GL & BLK-M:	Light gray (RAL 7035)
- BLK-GL-M:	Black (RAL 9005) or silver gray (RAL 7001)
 Temperature Range:	
- BLK	-20°C to +70°C
- BLK-M:	-25°C to +60°C
- BLK-GL & BLK-GL-M:	-40°C to +100°C
 IP Protection:	
- BLK & BLK-GL	IP54
- BLK-M & BLK-GL-M:	IP54
- BLK-GL-M with O-ring:	IP68

Approvals

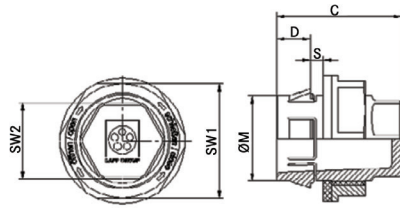


Photographs are not to scale and are not true representations of the products in question.

For current information go to our website. If not otherwise specified, all values relating to the product are nominal values.

SKINTOP® CLICK BLK

Polyamide Plugs for use in Metric Sized Mounting Holes



Part Number	Thread Type & Size	S Wall Thickness (inches)	SW Wrenching Flats (inches)		C Overall Length (inches)	D Thread Length (inches)	Standard Pack Size
SKINTOP® CLICK BLK							
52109013	M16	0.04 - 0.16	0.55	0.87	1.12	0.31	50
52109014	M20	0.04 - 0.16	0.71	1.06	1.16	0.31	25
52109015	M25	0.04 - 0.16	0.87	0.55	1.20	0.31	25

Approvals



Technical Data

Material:	
- Body:	Special polyamide
- Seal:	Special elastomer
Temperature Range:	-20°C to +100°C
Color:	Light gray (RAL 7035)
Protection:	IP68, 5 bar

SKINDICHT® MR/MR-M Reducers

Nickel-Plated Brass Reducers for PG and Metric SKINTOP® Cable Glands



SKINDICHT® MR/MR-M reducers allow the use of cable glands with smaller connection threads than the existing thread hole.

Technical Data

Material:	Nickel-plated brass
Temperature Range:	-60°C to +200°C

Part Number	Thread Type & Size Male to Female	Standard Pack Size	Part Number	Thread Type & Size Male to Female	Standard Pack Size
PG Reducers			Metric Reducers		
52003750	PG 9 → 7	100	52104310	M16 → 12	100
52003760	PG 11 → 7	100	52104311	M20 → 12	100
52003770	PG 11 → 9	100	52104312	M20 → 16	100
52003780	PG 13 → 7	100	52104313	M25 → 16	50
52003790	PG 13 → 9	100	52104314	M25 → 20	50
52003800	PG 13 → 11	100	52104315	M32 → 20	50
52003810	PG 16 → 7	100	52104316	M32 → 25	50
52003820	PG 16 → 9	100	52104317	M40 → 25	50
52003830	PG 16 → 11	100	52104318	M40 → 32	25
52003840	PG 16 → 13	100	52104319	M50 → 32	25
52003850	PG 21 → 11	50	52104320	M50 → 40	10
52003860	PG 21 → 13	50	52104321	M63 → 40	10
52003870	PG 21 → 16	50	52104322	M63 → 50	10
52003880	PG 29 → 13	50			
52003890	PG 29 → 16	50			
52003900	PG 29 → 21	50			
52003910	PG 36 → 16	25			
52003920	PG 36 → 21	25			
52003930	PG 36 → 29	25			
52003940	PG 42 → 29	10			
52003950	PG 42 → 36	10			
52003970	PG 48 → 36	10			
52003980	PG 48 → 42	10			

Approvals




Photographs are not to scale and are not true representations of the products in question.

For current information go to our website. If not otherwise specified, all values relating to the product are nominal values.

SKINDICHT® KU/KUS Reducers

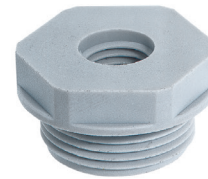
Polyamide Reducers for PG SKINTOP® Cable Glands

Technical Data

 Material:	Glass fiber reinforced polyamide
 Temperature Range:	-40°C to +100°C
 Color:	Light gray (RAL 7035)

Part Number	Thread Type & Size Male to Female	Standard Pack Size	Part Number	Thread Type & Size Male to Female	Standard Pack Size
KU PG Reducers			KUS PG Reducers		
51730010	PG 11 → 7	50	52025160	PG 42 → 21	25
52025100	PG 13 → 7	50	52025170	PG 42 → 29	25
52025110	PG 16 → 9	50	52025060	PG 42 → 36	25
52025120	PG 21 → 11	25	52025180	PG 48 → 29	25
51730040	PG 21 → 13	25	52025190	PG 48 → 36	25
52025130	PG 29 → 13	25	52025070	PG 48 → 42	25
51730050	PG 29 → 16	25	KUS PG Reducers		
52025140	PG 36 → 16	25	52025040	PG 9 → 7	50
52025150	PG 36 → 21	25	51730060	PG 11 → 9	50
52025050	PG 36 → 29	25	51730070	PG 13 → 11	50
			51730080	PG 16 → 13	50

KU PG Reducer



KUS PG Reducer



SKINDICHT® KU/KUS reducers allow the use of cable glands with smaller connection threads than the existing thread hole.



Approvals



SKINDICHT® ME/ME-M Enlargers

Nickel-Plated Brass for PG & Metric SKINTOP® Cable Glands

Technical Data

 Material:	Nickel-plated brass
- O-ring (metric only):	NBR
 Temperature Range:	-60°C to +200°C

Part Number	Thread Type & Size Male to Female	Standard Pack Size	Part Number	Thread Type & Size Male to Female	Standard Pack Size
PG Enlargers			Metric Enlargers		
52003990	PG 7 → 9	100	52104450	M12 → 16	100
52004000	PG 9 → 11	100	52104452	M16 → 20	100
52004010	PG 9 → 13	100	52104454	M20 → 25	100
52004020	PG 11 → 13	100	52104456	M25 → 32	50
52004030	PG 11 → 16	100	52104458	M32 → 40	50
52004040	PG 11 → 21	100	52104460	M40 → 50	25
52004050	PG 13 → 16	100	52104462	M50 → 63	25
52004060	PG 13 → 21	50			
52004070	PG 16 → 21	50			
52004080	PG 16 → 29	50			
52004090	PG 21 → 29	50			
52004100	PG 29 → 36	50			
52004110	PG 36 → 42	10			
52004120	PG 42 → 48	10			



SKINDICHT® ME/ME-M enlargers allow the use of cable glands with larger connection threads than the existing threaded hole.

Approvals



PG/NPT Adapters



■ Approvals



Part Number	Thread Type & Size Male to Female	Standard Pack Size
PG to NPT Adapters		
01112	PG 11 → NPT 1/2"	10
01312	PG 13 → NPT 1/2"	10
01612	PG 16 → NPT 1/2"	10
02112	PG 21 → NPT 1/2"	10
02134	PG 21 → NPT 3/4"	10
02910	PG 29 → NPT 1"	10
03614	PG 36 → NPT 1 1/4"	10

NPT/PG Adapters



■ Approvals



Part Number	Thread Type & Size Male to Female	Standard Pack Size
NPT to PG Adapters		
11211	NPT 1/2" → PG 11	10
11213	NPT 1/2" → PG 13	10
11216	NPT 1/2" → PG 16	10
13411	NPT 3/4" → PG 11	10
13413	NPT 3/4" → PG 13	10
13416	NPT 3/4" → PG 16	10
13421	NPT 3/4" → PG 21	10
11116	NPT 1" → PG 16	10

SKINDICHT® MA-M/NPT Adapters



■ Approvals



Part Number	Thread Type & Size Male to Female	Standard Pack Size
Metric to NPT Adapters		
54020100	M16 x 1.5 → NPT 1/2"	50
54020110	M20 x 1.5 → NPT 1/2"	50
54020120	M25 x 1.5 → NPT 1/2"	25
54020130	M25 x 1.5 → NPT 3/4"	25
54020140	M32 x 1.5 → NPT 1/2"	25
54020152	M32 x 1.5 → NPT 1"	25
54020153	M40 x 1.5 → NPT 1 1/4"	10

SKINDICHT® MA-M/PG Adapters



■ Approvals



Part Number	Thread Type & Size Male to Female	Standard Pack Size
Metric to PG Adapters		
52104200	M16 x 1.5 → PG 7	100
52104210	M20 x 1.5 → PG 9	50
52104220	M25 x 1.5 → PG 11	50
52104230	M25 x 1.5 → PG 13	50
52104240	M25 x 1.5 → PG 16	50
52104250	M32 x 1.5 → PG 16	25
52104260	M32 x 1.5 → PG 21	25
52104270	M40 x 1.5 → PG 21	25
52104280	M50 x 1.5 → PG 29	10
52104290	M63 x 1.5 → PG 36	10
52104300	M63 x 1.5 → PG 42	10

SKINDICHT® ZS-M/PG Adapters



■ Approvals



Part Number	Thread Type & Size Male to Female	Width Across Flats (inches)	Thread Length (inches)	Standard Pack Size
Metric to PG Adapters				
52104330	M12 x 1.5 → PG 7	0.55	0.20	100
52104340	M16 x 1.5 → PG 9	0.71	0.20	100
52104010	M16 x 1.5 → PG 11	0.79	0.20	100
52104360	M20 x 1.5 → PG 11	0.87	0.24	100
52104370	M20 x 1.5 → PG 13	0.87	0.24	100
52104380	M20 x 1.5 → PG 16	0.94	0.24	50
52104400	M25 x 1.5 → PG 21	1.18	0.28	50
52104410	M32 x 1.5 → PG 29	1.57	0.31	25
52104420	M40 x 1.5 → PG 36	1.97	0.31	10
52104430	M50 x 1.5 → PG 42	2.24	0.35	10
52104440	M63 x 1.5 → PG 48	2.60	0.39	10

Photographs are not to scale and are not true representations of the products in question.

For current information go to our website. If not otherwise specified, all values relating to the product are nominal values.

SKINDICHT® MA-PG/M Adapters

Approvals



Technical Data



Material:

- Body: Nickel-plated brass

Shape A



Shape B



Part Number	Thread Type & Size Male to Female	Standard Pack Size	Part Number	Thread Type & Size Male to Female	Standard Pack Size
PG to Metric Adapters: Shape A			PG to Metric Adapters: Shape B		
52104492	PG 11 → M16 x 1.5	50	52104490	PG 7 → M12 x 1.5	100
52104495	PG 16 → M20 x 1.5	50	52104491	PG 9 → M16 x 1.5	50
52104497	PG 21 → M20 x 1.5	50	52104493	PG 11 → M20 x 1.5	50
52104498	PG 21 → M25 x 1.5	50	52104494	PG 13 → M20 x 1.5	50
52104500	PG 29 → M25 x 1.5	25	52104496	PG 16 → M25 x 1.5	50
52104501	PG 29 → M32 x 1.5	25	52104499	PG 21 → M32 x 1.5	50
52104503	PG 36 → M40 x 1.5	10	52104502	PG 29 → M40 x 1.5	10

SKINDICHT® A-PG/M Adapters

Approvals



Technical Data



Material:

Glass fiber reinforced polyamide



Temperature Range:

-40°C to +100°C



Color:

Light gray (RAL 7035)

Shape A



Shape B



Part Number Shape A	Part Number Shape B	Thread Type & Size Male to Female	Standard Pack Size	Part Number Shape A	Part Number Shape B	Thread Type & Size Male to Female	Standard Pack Size
PG to Metric Adapters							
52100320	—	PG 7 → M12 x 1.5	25	52100334	—	PG 21 → M25 x 1.5	10
52100321	—	PG 7 → M16 x 1.5	25	52100335	—	PG 21 → M32 x 1.5	10
52100322	—	PG 9 → M12 x 1.5	25	52100336	—	PG 21 → M40 x 1.5	10
52100323	—	PG 9 → M16 x 1.5	25	—	52100337	PG 29 → M32 x 1.5	10
52100324	—	PG 9 → M20 x 1.5	25	52100338	—	PG 29 → M40 x 1.5	10
52100325	—	PG 11 → M16 x 1.5	25	52100339	—	PG 29 → M50 x 1.5	10
52100326	—	PG 11 → M20 x 1.5	25	—	52100340	PG 36 → M40 x 1.5	10
52100327	—	PG 11 → M25 x 1.5	25	52100341	—	PG 36 → M50 x 1.5	10
52100328	—	PG 13 → M16 x 1.5	25	52100342	—	PG 36 → M63 x 1.5	10
52100329	—	PG 13 → M20 x 1.5	25	—	52100343	PG 42 → M40 x 1.5	5
52100330	—	PG 13 → M25 x 1.5	25	52100344	—	PG 42 → M50 x 1.5	5
52100331	—	PG 16 → M20 x 1.5	25	52100345	—	PG 42 → M63 x 1.5	5
52100332	—	PG 16 → M25 x 1.5	25	—	52100346	PG 48 → M50 x 1.5	5
52100333	—	PG 16 → M32 x 1.5	25	52100347	—	PG 48 → M63 x 1.5	5

Photographs are not to scale and are not true representations of the products in question.

For current information go to our website. If not otherwise specified, all values relating to the product are nominal values.

SKINDICHT® E Sealing Rings: PG



SKINDICHT® E is a polychloroprene incised sealing bushing for use with Lapp's PG strain relief glands. It can be individually adapted to various cable diameters by removing some of the layers.

Approvals



Technical Data

Material:	CR
Temperature Range:	-20°C to +80°C
Color:	Black

Part Number	Thread Type & Size	Outer Diameter (inches)	Bore Diameters (inches)	Thickness (inches)	Standard Pack Size
PG Sealing Rings					
52005780	PG 9	0.53	0.20 / 0.31	0.22	250
52003690	PG 11	0.65	0.28 / 0.39 / 0.49	0.24	250
52003700	PG 13	0.73	0.28 / 0.41 / 0.51 / 0.63	0.26	250
52003710	PG 16	0.81	0.31 / 0.41 / 0.53 / 0.63	0.30	250
52003720	PG 21	1.02	0.43 / 0.59 / 0.71 / 0.79	0.31	100
52003730	PG 29	1.38	0.75 / 0.91 / 1.06 / 1.22	0.37	100
52003740	PG 36	1.77	0.98 / 1.10 / 1.22 / 1.38	0.47	50
52005790	PG 42	2.05	1.40 / 1.54 / 1.67 / 1.81	0.55	50
52005800	PG 48	2.24	1.59 / 1.73 / 1.85 / 1.99	0.55	50

SKINDICHT® E Sealing Rings: Metric



SKINDICHT® E is a polychloroprene incised sealing bushing for use with Lapp's metric strain relief glands. It can be individually adapted to various cable diameters by removing some of the layers.

Approvals



Technical Data

Material:	CR
Temperature Range:	-20°C to +80°C
Color:	Black

Part Number	Thread Type & Size	Outer Diameter (inches)	Bore Diameters (inches)	Thickness (inches)	Standard Pack Size
Metric Sealing Rings					
52100620	M12	0.39	0.20	0.20	250
52100621	M16	0.54	0.12 / 0.24 / 0.35	0.22	250
52100622	M20	0.69	0.16 / 0.28 / 0.39 / 0.51	0.24	250
52100623	M25	0.89	0.33 / 0.45 / 0.57 / 0.69	0.30	100
52100624	M32	1.17	0.63 / 0.75 / 0.87 / 0.98	0.37	100
52100625	M40	1.48	0.91 / 1.02 / 1.14 / 1.26	0.47	50
52100626	M50	1.87	1.18 / 1.30 / 1.42 / 1.54	0.55	50
52100627	M63	2.39	1.42 / 1.54 / 1.65 / 1.77	0.55	50

Photographs are not to scale and are not true representations of the products in question.

For current information go to our website. If not otherwise specified, all values relating to the product are nominal values.

O-rings



SKINDICHT® Perbunan® O-rings: PG

Perbunan® O-rings provide safe sealing against oil, dust, and water when placed on the fastening threads of the connector.

Perbunan® is a registered trademark of BAYER AG.

Approvals



Technical Data

Material:	Perbunan® (NBR), ozone & UV resistant
Temperature Range:	-20°C to +100°C
Color:	Black

Part Number	Thread Type & Size	Inner Diameter (inches)	Inner Diameter (mm)	Thickness (inches)	Thickness (mm)	Standard Pack Size
PG O-rings						
53001010	PG 7	0.394	10	0.059	1.5	100
53102011	PG 9	0.512	13	0.059	1.5	100
53001020	PG 11	0.630	16	0.059	1.5	100
52005740	PG 13	0.709	18	0.059	1.5	100
53001030	PG 16	0.788	20	0.059	1.5	100
52005750	PG 21	1.024	26	0.078	2.0	100
53001040	PG 29	1.339	34	0.078	2.0	50
52005760	PG 36	1.733	44	0.078	2.0	50
53001050	PG 42	1.970	50	0.078	2.0	50
52005770	PG 48	2.167	55	0.078	2.0	50



SKINDICHT® JT PTFE O-rings: PG

JT PTFE O-rings provide safe sealing against oil, water, alkalis, acids, solvents, and virtually all chemicals when placed on the fastening threads of a connector. They are suitable for food and dairy applications and have a wide temperature range.

Approvals



Technical Data

Material:	PTFE
Temperature Range:	-120°C to +250°C - Short-term: up to +300°C
Color:	White

Part Number	Thread Type & Size	Inner Diameter (inches)	Outer Diameter (inches)	Thickness (inches)	Thickness (mm)	Standard Pack Size
PG O-rings						
53801035	PG 7	0.492	0.650	0.078	2.0	100
53801045	PG 9	0.598	0.748	0.078	2.0	100
53801055	PG 11	0.732	0.886	0.078	2.0	100
53801065	PG 13	0.803	0.985	0.078	2.0	100
53801075	PG 16	0.886	1.063	0.078	2.0	100
53801085	PG 21	1.115	1.319	0.118	3.0	50
53801095	PG 29	1.457	1.713	0.118	3.0	50
53801105	PG 36	1.850	2.167	0.118	3.0	25
53801115	PG 42	2.127	2.482	0.118	3.0	25
53801125	PG 48	2.336	2.718	0.118	3.0	25



SKINDICHT® Viton® O-rings: PG

Viton® O-rings provide safe sealing against oil, water, alkalis, acids, solvents, and virtually all chemicals when placed on the fastening threads of a connector. They are also suitable for food and dairy applications and have a wide temperature range.

Viton® is a registered trademark of DuPont de Nemour.

Approvals



Technical Data

Material:	FKM Fluoroelastomer
Temperature Range:	-20°C to +200°C
Color:	Green

Part Number	Thread Type & Size	Inner Diameter (inches)	Inner Diameter (mm)	Thickness (inches)	Thickness (mm)	Standard Pack Size
PG O-rings						
52023607	PG 7	0.394	10	0.059	1.5	100
52122011	PG 9	0.512	13	0.059	1.5	100
52023602	PG 11	0.630	16	0.059	1.5	100
52023601	PG 13	0.709	18	0.059	1.5	100
52023603	PG 16	0.788	20	0.059	1.5	50
52023604	PG 21	1.024	26	0.078	2.0	50
52023606	PG 29	1.339	34	0.078	2.0	50
52023608	PG 36	1.733	44	0.078	2.0	25
52023609	PG 42	1.970	50	0.078	2.0	25
52023611	PG 48	2.167	55	0.078	2.0	25

Photographs are not to scale and are not true representations of the products in question. For current information go to our website. If not otherwise specified, all values relating to the product are nominal values.

SKINDICHT® Perbunan® O-rings: Metric

Perbunan® O-rings provide safe sealing against oil, dust, and water when placed on the fastening threads of the connector.

Perbunan® is a registered trademark of BAYER AG.

Approvals



Part Number	Thread Type & Size	Inner Diameter		Thickness		Standard Pack Size
		(inches)	(mm)	(inches)	(mm)	
Metric O-rings						
53102001	M12 x 1.5	0.354	9.0	0.059	1.5	100
53102000	M12 x 2.0	0.354	9.0	0.078	2.0	100
53102010	M16 x 2.0	0.512	13.0	0.078	2.0	100
53102021	M20 x 1.5	0.669	17.0	0.059	1.5	100
53102020	M20 x 2.0	0.669	17.0	0.078	2.0	100
53102030	M25 x 2.0	0.866	22.0	0.078	2.0	100
53102040	M32 x 2.0	1.103	28.0	0.078	2.0	50
53102050	M40 x 2.0	1.418	36.0	0.078	2.0	50
53102060	M50 x 2.0	1.812	46.0	0.078	2.0	25
53102070	M63 x 2.0	2.245	57.0	0.078	2.0	25

Technical Data

Material:	Perbunan® (NBR), ozone & UV resistant
Temperature Range:	-30°C to +100°C
Color:	Black

SKINDICHT® JT PTFE O-rings: Metric

JT PTFE Teflon O-rings provide safe sealing against oil, water, alkalis, acids, solvents, and virtually all chemicals when placed on the fastening threads of a connector. They are suitable for food and dairy applications and have a wide temperature range.

Approvals



Part Number	Thread Type & Size	Inner Diameter	Outer Diameter	Thickness		Standard Pack Size
		(inches)	(inches)	(inches)	(mm)	
Metric O-rings						
53801030	M12 x 2.0	0.476	0.654	0.079	2.0	100
53801040	M16 x 2.0	0.634	0.831	0.079	2.0	100
53801050	M20 x 2.0	0.791	1.083	0.079	2.0	100
53801060	M25 x 2.0	0.988	1.315	0.118	3.0	50
53801070	M32 x 2.0	1.264	1.587	0.118	3.0	50
53801080	M40 x 2.0	1.583	2.029	0.118	3.0	25
53801090	M50 x 2.0	1.977	2.427	0.118	3.0	25
53801100	M63 x 2.0	2.490	2.911	0.118	3.0	25

Technical Data

Material:	PTFE
Temperature Range:	-120°C to +250°C - Short-term: up to +300°C
Color:	White

SKINDICHT® Viton® O-rings: Metric

Viton® O-rings provide safe sealing against oil, water, alkalis, acids, solvents, and virtually all chemicals when placed on the fastening threads of a connector. They are also suitable for food and dairy applications and have a wide temperature range.

Viton® is a registered trademark of DuPont de Nemour.

Approvals



Part Number	Thread Type & Size	Inner Diameter		Thickness		Standard Pack Size
		(inches)	(mm)	(inches)	(mm)	
Metric O-rings						
52122001	M12 x 1.5	0.354	9.0	0.059	1.5	100
52122000	M12 x 2.0	0.354	9.0	0.078	2.0	100
52122010	M16 x 2.0	0.512	13.0	0.078	2.0	100
52122021	M20 x 1.5	0.669	17.0	0.059	1.5	100
52122020	M20 x 2.0	0.669	17.0	0.078	2.0	100
52122030	M25 x 2.0	0.866	22.0	0.078	2.0	100
52122040	M32 x 2.0	1.103	28.0	0.078	2.0	50
52122050	M40 x 2.0	1.418	36.0	0.078	2.0	50
52122060	M50 x 2.0	1.812	46.0	0.078	2.0	25
52122070	M63 x 2.0	2.245	57.0	0.078	2.0	25

Technical Data

Material:	FKM Fluoroelastomer
Temperature Range:	-20°C to +200°C
Color:	Green

Photographs are not to scale and are not true representations of the products in question.

For current information go to our website. If not otherwise specified, all values relating to the product are nominal values.

SKINMATIC® RZ Wrench



SKINMATIC® RZ tool is designed for fast assembly of cable glands. The wrench has two expandable clamping ranges (lock positions) and fits SKINTOP® sizes PG 7 - 21, NPT 3/8" - NPT 1/4", and M12 - M25. This tool provides access to SKINTOP® glands in cramped conditions and is ideal for OEM installations.

Part Number	Width Across Flats (inches)	Height of Wrench (inches)	Length of Wrench (inches)	Standard Pack Size
SKINMATIC® RZ Wrench				
61791260	0.55 - 1.30	3.15	9.843	1

SKINMATIC® MH-Set

Mounting Tools for SKINTOP® Brass Series



MH-Set is a three piece wrench set intended for use with SKINTOP® MS products such as MS-M, MS-SC-M, and MS-NPT. The bearing surface is shaped to prevent the nut from slipping and ensures a quick and safe assembly.

The MH-Set includes the following sizes:

- 16/20 mm (M12/M16)
- 24/29 mm (M20/M25)
- 36/45 mm (M32/M40)

Part Number	Thread Type & Size	Wrench Size		Thickness	
		(inches)	(mm)	(inches)	(mm)
SKINMATIC® MH-Set					
61791273	M12/M16	0.630 - 0.788	16 - 20	7.88	200
	M20/M25	0.945 - 1.142	24 - 29	8.66	220
	M32/M40	1.418 - 1.773	36 - 45	9.85	250

PTS4 Wire Stripper



The PTS4 is designed for stripping single conductors from 0.25 mm² (24 AWG) to 4 mm² (12 AWG). It can be used to strip several conductors of the same gauge size simultaneously. The blades are self-adjusting to prevent damage to the conductors. In addition, the pressure of the cutting jaw may be adjusted. Diagonal cutters are also integrated so that cutting and stripping can be done with the same tool.

Part Number	Description	Length (inches)	Weight (lbs)	Standard Pack Size
PTS4 Wire Stripper				
61725950	PTS4	6.698	0.441	1
61753620	Spare spring for PTS4	—	—	1

BULLI Cable Shears



The BULLI cutters are special designed for use with fine wire cables up to 16 mm² (6 AWG). It features a latch and spring return, along with a safety lock for extra protection.

Part Number	Description	For Outer Diameter	Length (inches)	Weight lbs	Standard Pack Size
BULLI Cable Shears					
61744160	Cutter	0.630	7.289	0.298	1
61744161	Spare spring	—	—	—	1

Photographs are not to scale and are not true representations of the products in question.
For current information go to our website. If not otherwise specified, all values relating to the product are nominal values.

KS 15 Cable Shears

Cuts copper and aluminum cables with an outer diameters of up to 15 mm (0.59 in). The KS15 provides easy, precision cutting that can be used for removing the jacket and stripping wires.

* Not suitable for steel wire and hard-drawn copper conductors.



Part Number	For Outer Diameter (inches)	Length (inches)	Weight (lbs)	Standard Pack Size
KS 15 Cable Shears				
61735975	0.591	6.501	0.463	1

SKINMATIC® KB-M

Multi-Purpose Tap

For simultaneous core drilling and cutting of metric threads. Especially suitable for thin components and sheet metals.

Part Number	Thread Type & Size	Overall Length (inches) (mm)		Drill Length (inches) (mm)		Standard Pack Size
SKINMATIC® KB-M						
61791274	M12 x 1.5	5.12	130	1.18	30	1
61791275	M16 x 1.5	5.91	150	1.38	35	1
61791276	M20 x 1.5	6.50	165	1.57	40	1
61791277	M25 x 1.5	7.28	185	1.77	45	1



SKINDICHT® SB-M

Spiral Drill

For drilling the core holes of metric threads.

Part Number	Thread Type & Size	Overall Length (inches) (mm)		Drill Length (inches) (mm)		Standard Pack Size
SKINDICHT® SB-M						
61791278	M32 x 1.5	11.85	301	7.09	180	1
61791279	M40 x 1.5	13.75	349	7.88	200	1
61791280	M50 x 1.5	14.53	369	8.66	220	1



SKINDICHT® GB-M

Tap

For cutting metric threads.

Part Number	Thread Type & Size	Overall Length (inches) (mm)		Drill Length (inches) (mm)		Standard Pack Size
SKINDICHT® GB-M						
61791282	M32 x 1.5	5.91	150	1.10	28	1
61791283	M40 x 1.5	6.69	170	1.10	28	1
61791284	M50 x 1.5	7.48	190	1.26	32	1



Adjustable Torque Screwdriver

Simple, free assembly in any position with quick and easy tool change.

Part Number	Description	Length (inches)	Measuring Range	Standard Pack Size
Adjustable Torque Screwdriver				
61813958	Torque screwdriver	7.09	0.3 - 1.2 Nm	1

