

# SKINTOP® Strain Relief Cable Glands

SKINTOP®

16



# Strain Relief Cable Glands

**SKINTOP® PRODUCT SELECTION GUIDE 486**

## NON-METALLIC STRAIN RELIEF CABLE GLANDS

**SKINTOP® SLN/ SLRN UL/CSA/CE/ROHS 487**  
Liquid Tight, Non-Metallic Strain Relief Cable Gland with NPT Threads

**SKINTOP® SL/ SLR UL/CSA/CE/TUV/ROHS 488**  
Liquid Tight, Non-Metallic Strain Relief Cable Gland with PG Threads

**SKINTOP® SLM/ SLRM UL/CSA/CE/VDE/DNV/TUV/ROHS 489**  
Liquid Tight, Non-Metallic Strain Relief Cable Gland with Metric Threads

**NEW SKINTOP® ST-HF-M VDE/CE/ROHS 490**  
Halogen-Free, Liquid Tight, Non-Metallic Strain Relief Cable Gland with Metric Threads

**NEW SKINTOP® CLICK/ CLICK R UL/VDE/CE/DNV/ROHS 491**  
Liquid Tight, Non-Metallic Strain Relief with Quick “Click” Installation Insertion System

**SKINTOP® FLEX UL/CSA/VDE/CE/DNV/ROHS 492**  
Liquid Tight, Non-Metallic Spiral Strain Relief Cable Gland in NPT, PG & Metric Threads

**NEW SKINTOP® CLICK FLEX UL/VDE/CE/DNV/ROHS 494**  
Liquid Tight, Non-Metallic Spiral Strain Relief with Quick “Click” Insertion System for Additional Bending Protection

**NEW SKINTOP® BT/ BT-M CE/DNV/ROHS 495**  
Liquid Tight, Non-Metallic Cable Gland with Bell Shaped Bending Protection in PG & Metric Threads

**SKINTOP® ATEX K-M/ KR-M CE/EX/DNV/ROHS 496**  
Liquid Tight, Non-Metallic Cable Gland according to ATEX for Hazardous Areas with Metric Threads

**SRW Right Angle Gland ROHS 497**  
Liquid Tight, Non-Metallic 90° Elbow Cable Gland with PG Threads

**SKINTOP® GMP-GL UL/CE/ROHS 498**  
Hexagonal Locknuts for NPT, PG & Metric Connectors

# Strain Relief Cable Glands

## METALLIC STRAIN RELIEF CABLE GLANDS

	<b>SKINTOP® MS-NPT/ MSR-NPT</b> Liquid Tight, Metallic Strain Relief Cable Gland with NPT Threads	<b>UL/CSA/CE/ROHS</b>	<b>499</b>
	<b>SKINTOP® MS/ MSR</b> Liquid Tight, Metallic Strain Relief Cable Gland with PG Threads	<b>CE/ROHS</b>	<b>500</b>
	<b>SKINTOP® MS-XL/ MSR-XL</b> Liquid Tight, Metallic Strain Relief Cable Gland with Extended PG Threads	<b>CE/ROHS</b>	<b>501</b>
	<b>SKINTOP® MS-M/ MSR-M</b> Liquid Tight, Metallic Strain Relief Cable Gland in Metric Sizes to Meet the European Union Standards	<b>UL/CE/DNV/ROHS</b>	<b>502</b>
	<b>SKINTOP® MS-M-XL/ MSR-M-XL</b> Liquid Tight, Metallic Strain Relief Cable Gland with Extended Metric Threads	<b>UL/CE/DNV/ROHS</b>	<b>503</b>
	<b>SKINTOP® MS-SC/ MS-SCL</b> Liquid Tight, Metallic Strain Relief for EMC Shielding Cable Gland with NPT, PG and Metric Threads	<b>UL/CE/DNV/ROHS</b>	<b>504</b>
<b>NEW</b>	<b>SKINTOP® MS-SC-M BRUSH/ BRUSH Plus</b> Liquid Tight, Metallic Strain Relief for EMC Shielding Applications Easy to Assemble, Cable Gland with Metric Threads	<b>UL/CE/DNV/ROHS</b>	<b>506</b>
	<b>SKINTOP® MS-M/ MSR-M ATEX</b> Liquid Tight, Metallic Cable Glands according to ATEX for Hazardous Areas with Metric Threads	<b>UL/CE/DNV/ROHS</b>	<b>507</b>
<b>NEW</b>	<b>Cable Gland for Dangerous &amp; Explosive Areas</b> For Use with Corrugated and Continuously Welded Armor Cable	<b>UL/CE/EX/DNV/ROHS</b>	<b>508</b>
<b>NEW</b>	<b>SKINTOP® CN/ CN-M</b> Chromium-Nickel Steel Cable Gland with PG and Metric Threads	<b>CE/ROHS</b>	<b>509</b>

## SKINDICHT® CABLE GLANDS

	<b>SKINDICHT® SVRE Series Cable Clamp</b> Compact General Purpose Cable Clamps with PG & Metric Threads	<b>CE/ROHS</b>	<b>510</b>
	<b>SKINDICHT® SH Cable Clamp</b> Compact Strain Relief Cable Gland with Single Saddle Clamp and with PG Threads	<b>CE/ROHS</b>	<b>511</b>

# SKINTOP® STRAIN RELIEF CABLE GLANDS

<b>SKINDICHT® SHZ Cable Clamp</b> Compact Strain Relief Cable Gland with Single Saddle Clamp and Additional Sealing	<b>CE/ROHS</b>	<b>512</b>
<b>SKINDICHT® SK Series</b> Compact Strain Relief Cable Gland with Double Saddle Clamp and PG Threads	<b>CE/ROHS</b>	<b>513</b>
<b>SKINDICHT® SKZ/ SKZ-M Series</b> Compact Strain Relief Cable Gland with Double Saddle Clamp with Additional Sealing in PG & Metric Threads	<b>CE/ROHS</b>	<b>514</b>
<b>SKINDICHT® SHV</b> Metallic Strain Relief Cable Gland in PG Threads with Sealing Capability up to 300 Ft. (10 Bar)	<b>CE/ROHS</b>	<b>515</b>
<b>SKINDICHT® SHV-M</b> Metallic Strain Relief Cable Gland in Metric Sizes with Sealing Capability to 300 Ft. (10 Bar)	<b>CE/ROHS</b>	<b>516</b>
<b>SKINDICHT® SHVE</b> Compact EMC Strain Relief Cable Gland with PG & Metric Threads for use with Copper (CY) and Steel Shielded (SY) Cables	<b>CE/ROHS</b>	<b>517</b>
<b>SKINDICHT® SR Series Cable Clamp</b> Compact Strain Relief Cable Gland with PG & Metric Threads with Single Saddle Clamp and Special Neoprene Bushing	<b>CE/ROHS</b>	<b>519</b>
<b>SKINDICHT® RWV Cable Gland</b> Metallic 90° Elbow Cable Gland with PG Threads	<b>CE/ROHS</b>	<b>521</b>
<b>SKINDICHT® SM Lock Nuts</b> Metal Lock Nuts for NPT, PG and Metric Threaded Products		<b>522</b>
<b>SKINDICHT® SM-PE Lock Nuts</b> Brass Grounding Lock Nuts for PG and Metric Threaded Products	<b>CE/ROHS</b>	<b>523</b>




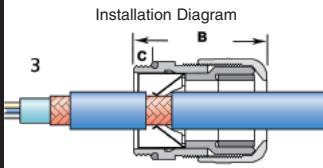
## ACCESSORIES

<b>SKINTOP® DIX Bushings &amp; DIX-DV Inserts</b> Multiple Cable Sealing Bushing for PG & NPT SKINTOP® Connectors	<b>CE/ROHS</b>	<b>524</b>
<b>SKINTOP® DIX-M Bushings</b> Multiple Cable Sealing Bushing for Metric SKINTOP® Cable Glands	<b>CE/ROHS</b>	<b>525</b>
<b>SKINTOP® SD/ DV</b> Dust-Proof, Moisture-Proof Plugs for PG, NPT & Metric SKINTOP® Cable Glands	<b>CE/ROHS</b>	<b>526</b>

# SKINTOP® STRAIN RELIEF CABLE GLANDS

<b>HOLE PLUGS</b> Brass & Plastic Plugs for use in PG and Metric Threaded Holes	<b>CE/ROHS</b>	<b>527</b>
<b>FITTINGS</b> Nickel Plated Brass & Plastic Reducers and Enlargers in PG & Metric Combinations	<b>CE/ROHS</b>	<b>528</b>
<b>Nickel Plated Brass Adapters</b> PG, NPT & Metric Combinations	<b>CE/ROHS</b>	<b>529</b>
<b>Adapters &amp; Sealing Rings</b> Nickel Plated Brass & Plastic Adapters and Sealing Rings in PG & Metric Combinations		<b>530</b>
<b>O-Rings-PG</b> Perbunan, PTFE & VITON® in PG Sizes		<b>531</b>
<b>O-Rings-Metric</b> Perbunan, PTFE & VITON® in Metric Sizes		<b>532</b>
<b>SKINDICHT® Cable Bushing System</b> SDL Flanges & SDT Split Bushing Sleeve		<b>533</b>
<b>Mounting Tools</b> For SKINTOP® Cable Glands		<b>535</b>
<b>Tools</b> Cutting & Stripping Tools		<b>536</b>
<b>Tools</b> Taps & Screwdrivers		<b>537</b>
<b>TECHNICAL DATA</b>		
<b>SKINTOP®</b> Liquid Tight, Non-Metallic Strain Relief Cable Glands Secured by a Single Turn of the Hand		<b>538</b>
<b>SKINTOP® Strain Relief Cable Glands</b> Polyamide Style		<b>539</b>
<b>Threading Dimensions &amp; Tightening Values for SKINTOP® Cable Glands</b>		<b>540</b>

# Product Selection Guide

General purpose nylon cable gland for I/O boxes, panels, motors and others...				General purpose, high impact Nickel Plated Brass cable gland for I/O boxes, panels, motors and others...		Nickel Plated Brass grounding cable gland for use with shielded cables	
 <p>NPT- Page 487 PG- Page 488</p>				 <p>NPT- Page 499 PG- Page 500</p>		 <p>NPT &amp; PG- Page 504</p>	
<b>Seal:</b> IP 68, 5 Bar (Exceeds NEMA 6/ 6P Pressure rating) <b>Temperature range:</b> -20°C to +80°C				<b>Seal:</b> IP 68, 5 Bar (Exceeds NEMA 6/ 6P Pressure rating) <b>Temperature range:</b> -30°C to +100°C			
Cable OD	Black	Gray	Thread Type	Part #	Thread Type	Part #	Thread Type
.079 - .200	S2238	S1238	NPT 3/8"	53112006	NPT 1/4"		
	S2107	S1107	PG 7	53112016	NPT 3/8"		
	S2207	S1207	PG 7	52015700	PG 7		
	S2209	S1209	PG 9	52015770	PG 7		
	S2211	S1211	PG 11	52015780	PG 9		
.135 - .350	S2138	S1138	NPT 3/8"	53112004	NPT 1/4"	53112910	NPT 3/8"
	S2212	S1212	NPT 1/2"	53112014	NPT 3/8"		
	S2109	S1109	PG 9	53112026	NPT 1/2"		
	S2111	S1111	PG 11	52015710	PG 9		
			PG 11	52015720	PG 11		
			PG 11	52015790	PG 11		
	S2213	S1213	PG 13	52015800	PG 13	53112210	PG 9
.225 - .400				53112024	NPT 1/2"	53112920	NPT 1/2"
	S2113	S1113	PG 13	53112036	NPT 3/4"		
	S2216	S1216	PG 16	52015730	PG 13		
.325 - .500	S2234	S1234	NPT 3/4"	52015810	PG 16	53112230	PG 13
	S2116	S1116	PG 16	53112034	NPT 3/4"		
	S2221	S1221	PG 21	53112046	NPT 1"		
.425 - .600				52015740	PG 16	53112930	NPT 3/4"
				52015820	PG 21		
	S2229	S1229	PG 29	53112044	NPT 1"		
.525 - .750	S2134	S1134	NPT 3/4"	52015750	PG 21	53112940	NPT 1"
	S2201	S1201	NPT 1"	52015830	PG 29		
	S2121	S1121	PG 21				
.600 - .900	S2129	S1129	PG 29	53112056	NPT 1 1/4"	53112260	PG 29
	S2236	S1236	PG 36	52015760	PG 29		
.750 - 1.10	S2101	S1101	NPT 1"	53112054	NPT 1 1/4"	53112950	NPT 1 1/4"
				53112066	NPT 1 1/2"		
				52015765	PG 32		
.950 - 1.20	S2242	S1242	PG 42			53112270	PG 36
1.10 - 1.40	S2136	S1136	PG 36	52015832	PG 36	53112960	NPT 1 1/2"
				53112064	NPT 1 1/2"		
				53112076	NPT 2"		
1.30 - 1.70	S2142	S1142	PG 42	52015766	PG 36		
	S2248	S1248	PG 48	52015833	PG 48		
	S2148	S1148	PG 48	53112074	NPT 2"		
			52015767	PG 48			

- Use Black Dome SKINTOP® with Black Cable
- Use Gray Dome SKINTOP® with Gray Cable
- Use metal when higher impact resistance/durability is needed.

- PG Threads– Panzer Grade
- NPT Threads – National Pipe Thread (U.S. Standard)

# SKINTOP® SLN/ SLRN

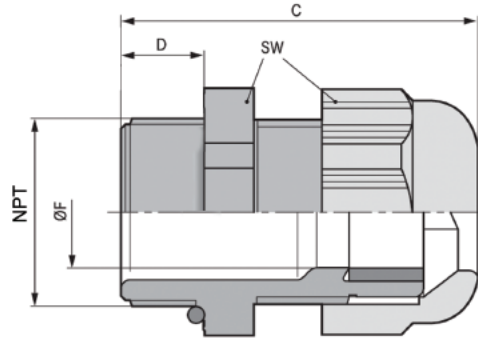
Liquid Tight, Non-Metallic Strain Relief Cable Gland with NPT Threads



SKINTOP® SLN/ SLRN is a durable, liquid tight, easy to assemble strain relief cable gland with NPT threads that is universally suited for all types of machinery & equipment, including automation, motion control, process control and robotics.

### Application Advantage:

- The heavy duty SKINTOP® design provides great pullout strength and very reliable strain relief
- Superior integrated locking mechanism includes an internal ratchet for vibration proof protection
- Multi-trapezoidal thread requires just one twist to tighten
- Generous high quality neoprene bushing provides a liquid tight and dust proof, hermetic seal



### Complete the installation with:

Cable O.D. Page 486	EPIC® Connectors: Page 258	SKINTOP® DIX Page 524	Plugs Page 526
---------------------	----------------------------	-----------------------	----------------

### Technical Data:

<b>Materials:</b>		<b>Protection:</b>	70 PSI
Body:	Polyamide	Seal:	IP 68, 5 Bar
Bushing:	CR		(Exceeds NEMA 6/ 6P Pressure rating)
<b>Color:</b>	- Black (RAL 9005) UV Resistant - Gray (RAL 7001)	<b>Temperature range:</b>	-20° C to +80° C

### SKINTOP® SLN: Liquid Tight, Non-Metallic Strain Relief Cable Gland with NPT Threads

Black	Part Number	Gray	Thread Type & Size	UL Status	Clamping Range of F inches	SW Wrenching Flats inches	C Overall Length inches	D Thread Length inches	Standard Pack Size	Weight 100 pcs. lbs.
	S2138	S1138	NPT-3/8"	R	.138 - 0.315	0.748	1.693	.591	100	2.00
	S2112	S1112	NPT-1/2"	L	.197 - 0.472	0.945	1.772	.591	100	2.50
	S2134	S1134	NPT-3/4"	L	.512 - 0.709	1.299	2.087	.591	50	5.50
	S2101	S1101	NPT-1"	L	.748 - 1.000	1.654	2.362	.591	25	9.00

### SKINTOP® SLRN: Liquid Tight, Non-Metallic Strain Relief Cable Gland with Reducer Bushing

Black	Part Number	Gray	Thread Type & Size	UL Status	Clamping Range of F inches	SW Wrenching Flats inches	C Overall Length inches	D Thread Length inches	Standard Pack Size	Weight 100 pcs. lbs.
	S2238	S1238	NPT-3/8"	R	.079 - .236	0.748	1.693	.591	100	2.00
	S2212	S1212	NPT-1/2"	L	.157 - .354	0.945	1.772	.591	100	2.50
	S2234	S1234	NPT-3/4"	L	.354 - .630	1.299	2.087	.591	50	5.50
	S2201	S1201	NPT-1"	L	.551 - .827	1.654	2.362	.591	25	9.00

### NOTES:

1. Locknuts may be ordered separately, refer to Page 498.
2. Orders of 2000 pieces or more per item will be bulk packaged unless otherwise requested.
3. UL Status: R = Recognized; L = Listed

# SKINTOP® SL/ SLR

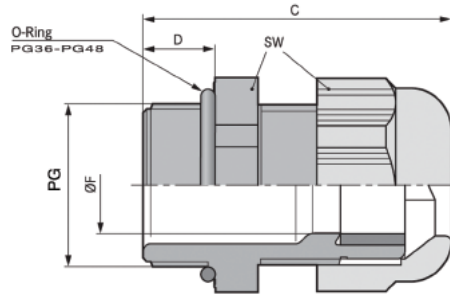
Liquid Tight, Non-Metallic Strain Relief Cable Gland with PG Threads



SKINTOP® SL/ SLR is a durable, liquid tight, easy to assemble strain relief cable gland with PG threads that is universally suited for all types of machinery & equipment, including automation, motion control, process control and robotics.

**Application Advantage:**

- The heavy duty SKINTOP® design provides great pullout strength and very reliable strain relief
- Superior integrated locking mechanism includes an internal ratchet for vibration proof protection
- Multi-trapezoidal thread requires just one twist to tighten
- Generous high quality neoprene bushing provides a liquid tight and dust proof, hermetic seal



**NOTES:**

1. Orders of 2000 pieces or more per item will be bulk packaged unless otherwise requested.
2. UL Status: R = Recognized; L = Listed

**Complete the installation with:**

Cable O.D. Page 486	EPIC® Connectors: Page 258	SKINTOP® DIX Page 524	Plugs Page 526
---------------------	----------------------------	-----------------------	----------------

**Technical Data:**

<b>Materials:</b>	<b>Body:</b> Polyamide	<b>Color:</b> Black (RAL 9005) UV Resistant
	<b>Bushing:</b> CR	Gray (RAL 7001)
<b>Locknuts:</b> Included	<b>Protection:</b> 70 PSI	
	<b>Seal:</b> IP 68, 5 Bar	(Exceeds NEMA 6/ 6P Pressure rating)
<b>Temperature range:</b> -20° C to +80° C		

**SKINTOP® SL: Liquid Tight, Non-Metallic Strain Relief Cable Gland with PG Threads**

Black	Part Number	Gray	Thread Type & Size	UL Status	Clamping Range ØF inches	SW Wrenching Flats inches	C Overall Length inches	D Thread Length inches	Standard Pack Size	Weight 100 pcs. lbs.
	S2107	S1107	PG-7	R	0.098 - 0.256	0.591	1.260	.315	100	1.00
	S2109	S1109	PG-9	R	0.138 - 0.315	0.748	1.417	.315	100	1.50
	S2111	S1111	PG-11	R	0.157 - 0.394	0.866	1.496	.315	100	2.00
	S2113	S1113	PG-13	L	0.236 - 0.472	0.945	1.614	.354	100	2.50
	S2116	S1116	PG-16	L	0.354 - 0.551	1.063	1.732	.394	50	3.00
	S2121	S1121	PG-21	L	0.512 - 0.709	1.299	1.929	.433	50	5.00
	S2129	S1129	PG-29	R	0.551 - 0.984	1.654	2.205	.433	25	8.50
	S2136	S1136	PG-36	L	0.945 - 1.260	2.087	2.598	.512	10	17.50
	S2142	S1142	PG-42	R	1.378 - 1.496	2.362	2.677	.512	5	24.00
	S2148	S1148	PG-48	L	1.535 - 1.732	2.559	2.717	.551	5	29.00

**SKINTOP® SLR: Liquid Tight, Non-Metallic Strain Relief Cable Gland with Reducer Bushing**

Black	Part Number	Gray	Thread Type & Size	UL Status	Clamping Range ØF inches	SW Wrenching Flats inches	C Overall Length inches	D Thread Length inches	Standard Pack Size	Weight 100 pcs. lbs.
	S2207	S1207	PG-7	R	0.059 - 0.197	0.591	1.260	.315	100	1.00
	S2209	S1209	PG-9	R	0.079 - 0.236	0.748	1.417	.315	100	1.50
	S2211	S1211	PG-11	R	0.079 - 0.276	0.866	1.496	.315	100	2.00
	S2213	S1213	PG-13	L	0.157 - 0.354	0.945	1.614	.354	100	2.50
	S2216	S1216	PG-16	L	0.236 - 0.472	1.063	1.732	.394	50	3.00
	S2221	S1221	PG-21	L	0.354 - 0.630	1.299	1.929	.433	50	5.00
	S2229	S1229	PG-29	R	0.433 - 0.787	1.654	2.205	.433	25	8.50
	S2236	S1236	PG-36	L	0.669 - 1.024	2.087	2.598	.512	10	17.50
	S2242	S1242	PG-42	R	0.866 - 1.220	2.362	2.677	.512	5	24.00
	S2248	S1248	PG-48	L	1.024 - 1.378	2.559	2.717	.551	5	29.00

# SKINTOP® SLM/ SLRM

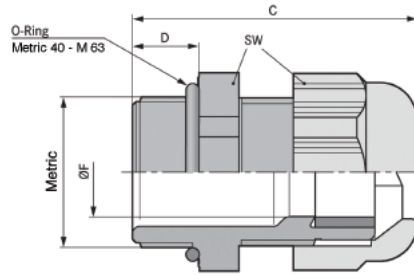
## Liquid Tight, Non-Metallic Strain Relief Cable Gland with Metric Threads



SKINTOP® SLM/ SLRM is a durable, liquid tight, easy to assemble strain relief cable gland with Metric threads that is universally suited for all types of machinery & equipment, including automation, motion control, process control and robotics.

### Application Advantage:

- The heavy duty SKINTOP® design provides great pullout strength and very reliable strain relief
- Superior integrated locking mechanism includes an internal ratchet for vibration proof protection
- Multi-trapezoidal thread requires just one twist to tighten
- Generous high quality neoprene bushing provides a liquid tight and dust proof, hermetic seal
- Economical solution that covers a large clamping range with only 8 sizes



### NOTES:

1. Orders of 2000 pieces or more per item will be bulk packaged unless otherwise requested.
2. UL Status: R = Recognized; L = Listed

Cable O.D. Page 486	EPIC® Connectors: Page 258	SKINTOP® DIX Page 524	Plugs Page 526
---------------------	----------------------------	-----------------------	----------------

### Technical Data:

<b>Materials:</b>		<b>IP Protection:</b>	70 PSI
Body:	Polyamide	Seal:	IP 68, 5 Bar
Bushing:	CR		(Exceeds NEMA 6/ 6P Pressure rating)
Locknuts:	Included		IP 69K
<b>Color:</b>	- Black (RAL 9005) - UV Resistant - Gray (RAL 7001)	<b>Temperature range:</b>	
		Static:	-40° C to +100° C
		Dynamic:	-20° C to +100° C

### SKINTOP® SLM: Liquid Tight, Non-Metallic Strain Relief Cable Gland with Metric Threads

Black	Part Number	Gray	Thread Type & Size	UL Status	Clamping Range ØF inches	SW Wrenching Flats inches	C Overall Length inches	D Thread Length inches	Standard Pack Size	Weight 100 pcs. lbs.
	S2507	S1507	M-12X1.5	R	0.138 - 0.276	0.591	1.181	.315	100	1.00
	S2509	S1509	M-16X1.5	R	0.177 - 0.394	0.748	1.339	.315	100	1.50
	S2513	S1513	M-20X1.5	L	0.276 - 0.512	0.984	1.457	.354	100	2.50
	S2516	S1516	M-25X1.5	L	0.354 - 0.669	1.181	1.575	.394	50	3.50
	S2521	S1521	M-32X1.5	L	0.433 - 0.827	1.417	1.850	.394	25	6.00
	S2529	S1529	M-40X1.5	L	0.748 - 1.102	1.811	2.047	.394	10	10.50
	S2536	S1536	M-50X1.5	L	1.063 - 1.378	2.165	2.441	.472	5	17.50
	S2542	S1542	M-63X1.5	L	1.339 - 1.772	2.598	2.795	.472	5	25.50

### SKINTOP® SLRM: Liquid Tight, Non-Metallic Strain Relief Cable Gland with Reducer Bushing

Black	Part Number	Gray	Thread Type & Size	UL Status	Clamping Range ØF inches	SW Wrenching Flats inches	C Overall Length inches	D Thread Length inches	Standard Pack Size	Weight 100 pcs. lbs.
	S2607	S1607	M-12X1.5	R	0.039 - 0.197	0.591	1.181	.315	100	1.00
	S2609	S1609	M-16X1.5	R	0.079 - 0.276	0.748	1.339	.315	100	1.50
	S2613	S1613	M-20X1.5	L	0.197 - 0.394	0.984	1.457	.354	100	2.50
	S2616	S1616	M-25X1.5	L	0.236 - 0.512	1.181	1.575	.394	50	3.50
	S2621	S1621	M-32X1.5	L	0.276 - 0.591	1.417	1.850	.394	25	6.00
	S2629	S1629	M-40X1.5	L	0.591 - 0.906	1.811	2.047	.394	10	10.50
	S2636	S1636	M-50X1.5	L	0.866 - 1.142	2.165	2.441	.472	5	17.50
	S2642	S1642	M-63X1.5	L	1.102 - 1.535	2.598	2.795	.472	5	25.50

# SKINTOP® ST-HF-M

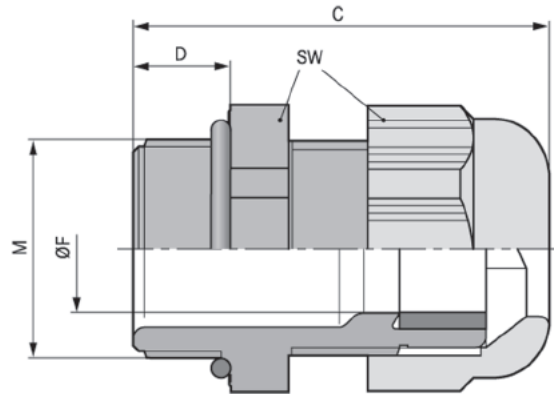


## Halogen-Free, Liquid Tight, Non-Metallic Strain Relief Cable Gland with Metric Threads

SKINTOP® ST-HF-M is an easy to assemble, halogen-free, metric cable gland for use when personal and property protection is a priority such as public buildings, underground railways, mass transportation systems, ventilation systems and industrial plants.

### Application Advantage:


- Completely halogen-free providing safe LSOH performance
- Extremely flame-retardant and self-extinguishing with no dripping
- The heavy duty SKINTOP® design provides great pullout strength and very reliable strain relief
- Superior integrated locking mechanism includes an internal ratchet for vibration proof protection
- Multi-trapezoidal thread requires just one twist to tighten





### Complete the installation with:


 Cable O.D. Page 486	 EPIC® Connectors: Page 258	 SKINTOP® DIX Page 524	 Plugs Page 526
---------------------------------------------------------------------------------------------------------	----------------------------------------------------------------------------------------------------------------	-------------------------------------------------------------------------------------------------------------	------------------------------------------------------------------------------------------------------

### Technical Data:

 **Materials:**  
**Body:** Polyamide UL 94 V0 halogen-free  
**Bushing:** Halogen-free  
**O-Rings:** Halogen-free

 **Color:** Lt Gray (RAL 7035) available upon request

 **IP Seal:** IP 68

 **Temperature range:** -20°C to +100°C

## SKINTOP® ST-HF-M: Halogen-Free, Liquid Tight, Non-Metallic Strain Relief with Metric Threads

Part Number	Thread Type & Size	Clamping Range øF inches	SW Wrenching Flats inches	C Overall Length inches	D Thread Length inches	Standard Pack Size
53111407	M-12X1.5	.157 - .217	0.591	1.181	.315	100
53111417	M-16X1.5	.177 - .354	0.748	1.339	.315	100
53111427	M-20X1.5	.276 - .512	0.984	1.457	.354	100
53111437	M-25X1.5	.354 - .669	1.181	1.575	.394	50
53111447	M-32X1.5	.433 - .827	1.417	1.850	.394	25

# SKINTOP® CLICK/ CLICK-R



Liquid Tight, Non-Metallic Strain Relief with Quick “Click” Insertion System

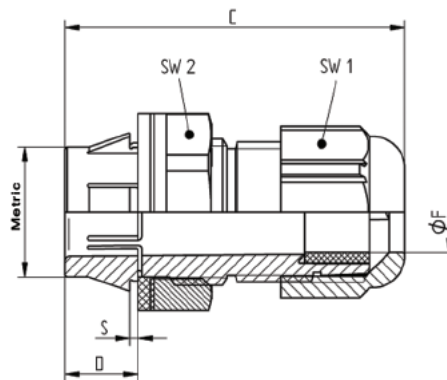
SKINTOP® CLICK is an innovative cable insertion system that provides fast, highly flexible assembly. Easy snap in place installation results in fixed, centered, strain relief with maximum protection in seconds.

### Recommended Applications:

Applications where locknut installation is difficult to reach or secure, such as dual wall enclosures and temperature controlled assemblies where insulation is used.

### Application Advantage:

- Up to 70% installation time savings due to innovative CLICK system
- Ideal for hard to reach dual wall enclosures and limited access spaces
- Reduced inventory as no locknuts are required
- The heavy duty SKINTOP® design provides great pullout strength and very reliable strain relief
- Superior integrated locking mechanism includes an internal ratchet for vibration proof protection



\* Includes 1 disassembly tool per pack

## Technical Data:

**Materials:**  
 Body: Special Polyamide  
 Seal: Special Elastomer

**Color:** Black (RAL 9005), UV Resistant  
 Gray (RAL 7001)

**Temperature range:** -20°C to +100°C

**Protection:** IP 68, 5 bar

## SKINTOP® CLICK: Liquid Tight, Non-Metallic Strain Relief with Metric Threads

Part Number	Thread Type & Size	UL Status	Clamping Range of F inches	SW1/ SW2 Wrenching Flats inches	C Overall Length inches	D Thread Length inches	M Hole inches	S Wall Thickness inches	Standard Pack Size
53112923	M-12	R	.138 - .276	0.591/ 0.709	1.575	0.315	0.484 (-.008)	.039 - .157	50
53112882	M-16	R	.197 - .354	0.748/ 0.866	1.654	0.315	0.642 (-.008)	.039 - .157	50
53112883	M-20	L	.276 - .512	0.984/ 1.063	1.791	0.315	0.799 (-.008)	.039 - .157	25
53112884	M-25	L	.354 - .669	1.181/ 1.339	1.909	0.315	0.996 (-.008)	.039 - .157	25
53112924	M-32	L	.433 - .827	1.417/ 1.575	2.165	0.315	1.272 (-.008)	.039 - .157	25

## SKINTOP® CLICK-R: Liquid Tight, Non-Metallic Strain Relief with Reducer Bushing & Metric Threads

Part Number	Thread Type & Size	UL Status	Clamping Range of F inches	SW1/ SW2 Wrenching Flats inches	C Overall Length inches	D Thread Length inches	M Hole inches	S Wall Thickness inches	Standard Pack Size
53112929	M-12	R	.039 - .197	0.591/ 0.709	1.575	0.315	0.484 (-.008)	.039 - .157	50
53112885	M-16	R	.157 - .276	0.748/ 0.866	1.654	0.315	0.642 (-.008)	.039 - .157	50
53112886	M-20	L	.197 - .394	0.984/ 1.063	1.791	0.315	0.799 (-.008)	.039 - .157	25
53112887	M-25	L	.236 - .512	1.181/ 1.339	1.909	0.315	0.996 (-.008)	.039 - .157	25
53112931	M-32	L	.276 - .591	1.417/ 1.575	2.165	0.315	1.272 (-.008)	.039 - .157	25

UL Status: R = Recognized; L = Listed

# SKINTOP® FLEX

Liquid Tight, Non-Metallic Spiral Strain Relief  
Cable Gland in NPT, PG & Metric Threads

PG & NPT



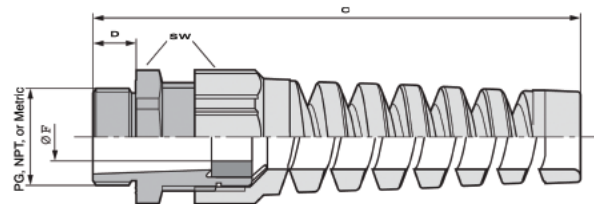
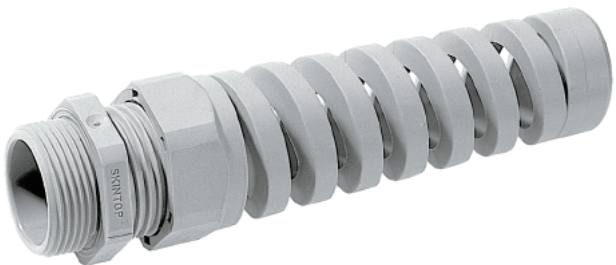
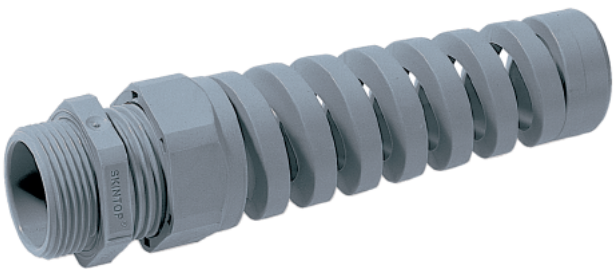
Metric



SKINTOP® FLEX is a liquid tight, spiral strain relief that offers additional safety against overstress and conductor breakage. Ideally suited for hand held equipment, moving machinery and robotics.

### Application Advantage:

- Superior bending protection for cable conservation and functional reliability
- The heavy duty SKINTOP® design provides great pullout strength and very reliable strain relief
- Superior integrated locking mechanism includes an internal ratchet for vibration proof protection
- Multi-trapezoidal thread requires just one twist to tighten
- Generous high quality neoprene bushing provides a liquid tight and dust proof, hermetic seal



### Technical Data:

<b>Materials:</b> Body: Polyamide Bushing: CR	<b>Protection:</b> Seal: 70 PSI IP 68, 5 Bar (Exceeds NEMA 6/ 6P Pressure rating)
<b>Color:</b> Black (RAL 9005) UV Resistant Gray (RAL 7001)	<b>Temperature Range:</b> NPT & PG: -20°C to +80°C Metric: -20°C to +100°C
	<b>Locknuts:</b> Included with PG and Metric sizes NPT Locknuts are available see Page 498.

# SKINTOP® FLEX

Liquid Tight, Non-Metallic Spiral Strain Relief  
Cable Gland in NPT, PG & Metric Threads

PG & NPT



Metric



## NPT THREADS

### SKINTOP® SLN FLEX: Liquid Tight, Non-Metallic Spiral Strain Relief Cable Gland with NPT Threads

Black	Part Number Gray	Thread Type & Size	UL Status	Clamping Range øF inches	SW Wrenching Flats inches	C Overall Length inches	D Thread Length inches	Standard Pack Size	Weight 100 pcs. lbs.
S2338	S1338	NPT-3/8"	R	.138 - .315	0.748	3.228	.591	100	3.00
S2312	S1312	NPT-1/2"	L	.197 - .472	0.945	4.094	.591	100	5.50
S2334	S1334	NPT-3/4"	L	.512 - .709	1.299	5.236	.591	50	12.00

### SKINTOP® SLRN FLEX: NPT Liquid Tight, Non-Metallic Strain Relief Cable Gland with Reducer Bushing

Black	Part Number Gray	Thread Type & Size	UL Status	Clamping Range øF inches	SW Wrenching Flats inches	C Overall Length inches	D Thread Length inches	Standard Pack Size	Weight 100 pcs. lbs.
S2438	S1438	NPT-3/8"	R	.079 - .236	0.748	3.228	.591	100	3.00
S2412	S1412	NPT-1/2"	L	.157 - .354	0.945	4.094	.591	50	5.50
S2434	S1434	NPT-3/4"	L	.354 - .630	1.299	5.236	.591	25	12.00

## PG THREADS

### SKINTOP® SL FLEX: Liquid Tight, Non-Metallic Spiral Strain Relief Cable Gland with PG Threads

Black	Part Number Gray	Thread Type & Size	UL Status	Clamping Range øF inches	SW Wrenching Flats inches	C Overall Length inches	D Thread Length inches	Standard Pack Size	Weight 100 pcs. lbs.
S2307	S1307	PG-7	R	.098 - .256	0.591	2.441	.315	100	1.50
S2309	S1309	PG-9	R	.138 - .315	0.748	2.894	.315	100	2.50
S2311	S1311	PG-11	R	.157 - .394	0.866	3.386	.315	100	3.25
S2313	S1313	PG-13	L	.236 - .472	0.945	3.858	.354	50	4.00
S2316	S1316	PG-16	L	.354 - .551	1.063	4.399	.394	25	5.50
S2321	S1321	PG-21	L	.512 - .709	1.299	5.079	.433	25	10.00

### SKINTOP® SLR FLEX: PG Liquid Tight, Non-Metallic Spiral Strain Relief Cable Gland with Reducer Bushing

Black	Part Number Gray	Thread Type & Size	UL Status	Clamping Range øF inches	SW Wrenching Flats inches	C Overall Length inches	D Thread Length inches	Standard Pack Size	Weight 100 pcs. lbs.
S2407	S1407	PG-7	R	.059 - .197	0.591	2.441	.315	100	1.50
S2409	S1409	PG-9	R	.079 - .236	0.748	2.894	.315	100	2.50
S2411	S1411	PG-11	R	.079 - .276	0.866	3.386	.315	100	3.25
S2413	S1413	PG-13	L	.157 - .354	0.945	3.858	.354	50	4.00
S2416	S1416	PG-16	L	.236 - .472	1.063	4.399	.394	25	5.50
S2421	S1421	PG-21	L	.354 - .630	1.299	5.079	.433	25	10.00

## METRIC THREADS

### SKINTOP® SL-M FLEX: Liquid Tight, Non-Metallic Spiral Strain Relief Cable Gland with Metric Threads

Black	Part Number Gray	Thread Type & Size	UL Status	Clamping Range øF inches	SW Wrenching Flats inches	C Overall Length inches	D Thread Length inches	Standard Pack Size	Weight 100 pcs. lbs.
S2707	S1707	M-12X1.5	R	.138 - .276	0.591	2.520	.315	100	1.25
S2709	S1709	M-16X1.5	R	.177 - .394	0.748	3.386	.315	100	2.50
S2713	S1713	M-20X1.5	L	.276 - .512	0.984	3.976	.315	50	4.50
S2716	S1716	M-25X1.5	L	.354 - .669	1.181	4.921	.354	25	8.00
S2721	S1721	M-32X1.5	L	.433 - .827	1.417	5.866	.394	25	12.00

#### NOTES:

- Orders of 2000 pieces or more per item will be bulk packaged unless otherwise requested.
- UL Status: R = Recognized; L = Listed

# SKINTOP® CLICK FLEX



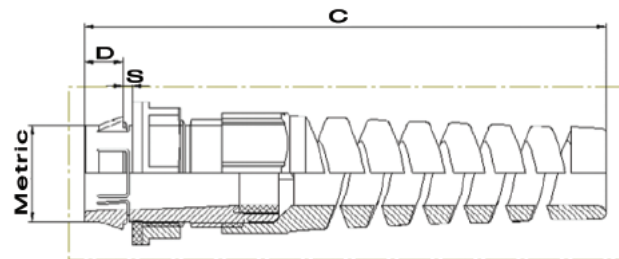
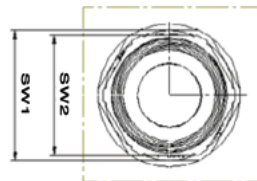
Liquid Tight, Non-Metallic Spiral Strain Relief with Quick “Click” Insertion System for Additional Bending Protection

SKINTOP® CLICK FLEX is an innovative cable insertion system that provides fast, highly flexible assembly. Easy snap in place installation results in fixed, centered, strain relief with maximum protection in seconds.

Liquid tight, spiral strain relief offers additional safety against overstress and conductor breakage for applications such as hand held equipment, moving machinery and robotics.



### Application Advantage:



- Up to 70% installation time savings due to innovative CLICK system
- Ideal for hard to reach dual wall enclosures and limited access spaces
- Reduced inventory as no locknuts are required
- The heavy duty SKINTOP® design provides great pullout strength and very reliable strain relief
- Superior integrated locking mechanism includes an internal ratchet for vibration proof protection



\* Includes 1 disassembly tool per pack

### Technical Data:

 Materials:	
Body:	Special Polyamide
Seal:	Special Elastomer
 Temperature range:	-20°C to +100°C

 Color:	Black (RAL 9005), UV Resistant Gray (RAL 7001)
 Protection:	IP 68, 5 bar

### SKINTOP® CLICK FLEX: Liquid Tight, Non-Metallic Spiral Strain Relief with Metric Threads

Black	Part Number	Gray	Thread Type & Size	UL Status	Clamping Range of inches	SW1/ SW2 Wrenching Flats inches	C Overall Length inches	D Thread Length inches	M Hole inches	S Wall Thickness inches	Standard Pack Size
	53112936	53112934	M-12	R	.138 - .276	0.591/ 0.709	2.913	0.315	0.484 (-.008)	.039 - .157	50
	53112909	53112906	M-16	R	.197 - .354	0.748/ 0.866	3.701	0.315	0.642 (-.008)	.039 - .157	50
	53112911	53112907	M-20	L	.276 - .512	0.984/ 1.063	4.252	0.315	0.799 (-.008)	.039 - .157	25
	53112912	53112908	M-25	L	.354 - .669	1.181/ 1.339	5.000	0.315	0.996 (-.008)	.039 - .157	25
	53112937	53112935	M-32	L	.433 - .827	1.417/ 1.575	6.102	0.315	1.272 (-.008)	.039 - .157	25

UL Status: R = Recognized; L = Listed

# SKINTOP® BT/ BT-M

Liquid Tight, Non-Metallic Strain Relief  
Bell Shaped Cable Gland in PG & Metric Threads

BT

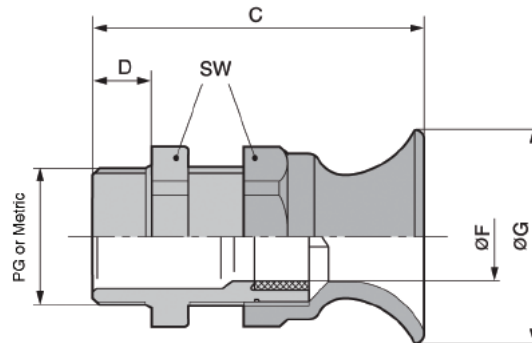
BT-M



The SKINTOP® BT/ BT-M bell-shape provides protection against excessive bending of flexible cables and wires such as hand-held equipment, flexing machine parts and apparatus engineering.

### Application Advantage:

- Excellent bending protection for cable protection and functional reliability
- The heavy duty SKINTOP® design provides great pullout strength and very reliable strain relief
- Superior integrated locking mechanism includes an internal ratchet for vibration proof protection
- Multi-trapezoidal thread requires just one twist to tighten



### Technical Data:



Materials:  
Body: Polyamide  
Seal: CR



Color: Gray (RAL 7001)



Protection: IP 68



Temperature range:  
BT: -20° C to +80° C  
BT-M: -20° C to +100° C

### SKINTOP® BT: Liquid Tight, Non-Metallic Strain Relief with PG Threads

Part Number	Thread Type & Size	Clamping Range øF inches	SW Wrenching Flats inches	C Overall Length inches	D Thread Length inches	Standard Pack Size
53015410	PG-9	.14 - .31	0.75	1.69	0.31	100
53015420	PG-11	.16 - .39	0.87	1.88	0.31	100
53015430	PG-13	.20 - .47	0.94	2.05	0.35	50
53015440	PG-16	.35 - .55	1.06	2.20	0.39	50
53015450	PG-21	.51 - .71	1.30	2.54	0.43	50

### SKINTOP® BT-M: Liquid Tight, Non-Metallic Strain Relief with Metric Threads

Part Number	Thread Type & Size	Clamping Range øF inches	SW Wrenching Flats inches	C Overall Length inches	D Thread Length inches	Standard Pack Size
53017420	M-16x1.5	.14 - .31	0.75	1.77	0.47	100
53017430	M-20x1.5	.20 - .47	0.94	2.13	0.51	50
53017440	M-25X1.5	.35 - .55	1.06	2.24	0.51	50

# SKINTOP® ATEX K-M/ KR-M

Liquid Tight, Non-Metallic Cable Gland according to ATEX for Hazardous Areas with Metric Threads

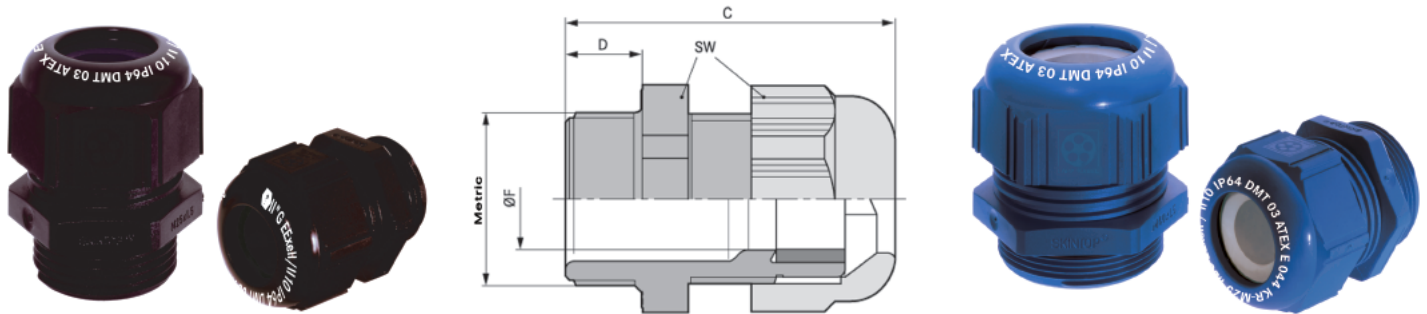


SKINTOP® ATEX K-M and SKINTOP® ATEX KR-M were developed for use in areas with risk of explosion and cables used with fail-safe circuits in housings and devices which require class “e” security. SKINTOP® ATEX K-M and SKINTOP® ATEX KR-M are recommended for use in the chemical and petrochemical industry, mobile offshore and marine applications.

SKINTOP® ATEX KR-M is equipped with a reducer bushing to seal cables with a smaller outer diameter.

### Application Advantage:

- The heavy duty SKINTOP® design provides great pullout strength and very reliable strain relief
- Superior integrated locking mechanism includes an internal ratchet for vibration proof protection
- Multi-trapezoidal thread requires just one twist to tighten
- Equipment Group II, Category 2G + 1D



### Technical Data:

Materials:	Body: Special Polyamide	Protection:	IP 68, 10 Bar
	Seal: Special Elastomer	Temperature range:	-20°C to +80°C
Color:	- Black (RAL 9005) UV Resistant - Blue (RAL 5015)		
Locknut:	Not Permitted		

### SKINTOP® K-M: Special Cable Gland According to ATEX with Metric Threads

Part Number Black	Part Number Blue	Thread Type & Size	Clamping Range øF inches	SW Wrenching Flats inches	C Overall Length inches	D Thread Length inches	Standard Pack Size
54115200	54115400	M-12X1.5	0.118 - 0.217	0.591	1.043	.315	50
54115210	54115410	M-16X1.5	0.276 - 0.354	0.748	1.142	.315	50
54115220	54115420	M-20X1.5	0.276 - 0.512	0.984	1.339	.354	50
54115230	54115430	M-25X1.5	0.433 - 0.669	1.181	1.378	.394	25
54115240	54115440	M-32X1.5	0.472 - 0.827	1.417	1.535	.394	25
54115250	54115450	M-40X1.5	0.748 - 1.102	1.811	1.693	.394	10
54115260	54115460	M-50X1.5	1.063 - 1.378	2.165	2.126	.472	5
54115270	54115470	M-63X1.5	1.417 - 1.772	2.598	2.323	.472	5

### SKINTOP® KR-M: Special Cable Gland According to ATEX with Reducer Bushing & Metric Threads

Part Number Black	Part Number Blue	Thread Type & Size	Clamping Range øF inches	SW Wrenching Flats inches	C Overall Length inches	D Thread Length inches	Standard Pack Size
54115205	54115405	M-12X1.5	0.079 - 0.157	0.591	1.043	.315	50
54115215	54115415	M-16X1.5	0.157 - 0.236	0.748	1.142	.315	50
54115225	54115425	M-20X1.5	0.197 - 0.394	0.984	1.339	.354	50
54115235	54115435	M-25X1.5	0.236 - 0.512	1.181	1.378	.394	25
54115245	54115445	M-32X1.5	0.354 - 0.591	1.417	1.535	.394	25
54115255	54115455	M-40X1.5	0.630 - 0.906	1.811	1.693	.394	10
54115265	54115465	M-50X1.5	0.866 - 1.142	2.165	2.126	.472	5
54115275	54115475	M-63X1.5	1.142 - 1.535	2.598	2.323	.472	5

# SRW Right Angle Gland

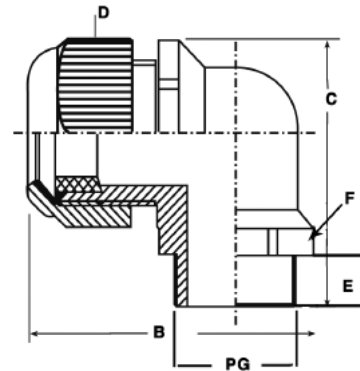


Liquid Tight, Non-Metallic 90° Elbow Cable Gland with PG Threads

SRW Right Angle Gland is a liquid tight, easy to assemble 90° strain relief cable gland with a PG thread.

### Application Advantage:

- The right angle gland is ideal wherever cables run parallel to the housing wall
- Oil and chemical resistant
- Provides IP 54 protection



### Technical Data:



Materials:  
Body: Polyamide  
Bushing: CR



Seal: IP 68, 5 Bar



Temperature range: -20° C to +100° C



Color: Black (RAL 9005) UV Resistant  
Gray (RAL 7001)

Locknut included

### SRW Right Angle Gland: 90° Elbow Cable Cable Gland with PG Threads

Black	Part Number	Gray	Thread Type & Size	Clamping Range of F inches	SW Wrenching Flats inches	C Overall Length inches	D Thread Length inches
	R2107	R1107	PG-7	.157 - 0.315	0.6	1.516	.315
	R2109	R1109	PG-9	.197 - 0.394	0.7	1.850	.315
	R2111	R1111	PG-11	.236 - 0.472	0.9	2.008	.315
	R2113	R1113	PG-13	.394 - 0.551	0.9	2.154	.354
	R2116	R1116	PG-16	.472 - 0.669	1.1	2.421	.394
	R2121	R1121	PG-21	.630 - 0.827	1.3	2.795	.433
	R2129	R1129	PG-29	.787 - 1.102	1.7	3.346	.433

### SRW-R Right Angle Gland: 90° Elbow Cable Gland with Reducer Bushing & PG Threads

Black	Part Number	Gray	Thread Type & Size	Clamping Range of F inches	SW Wrenching Flats inches	C Overall Length inches	D Thread Length inches
	R2207	R1207	PG-7	.079 - .236	0.6	1.516	.315
	R2209	R1209	PG-9	.118 - .276	0.7	1.850	.315
	R2211	R1211	PG-11	.197 - .354	0.9	2.008	.315
	R2213	R1213	PG-13	.276 - .472	0.9	2.154	.354
	R2216	R1216	PG-16	.315 - .472	1.1	2.421	.394
	R2221	R1221	PG-21	.472 - .630	1.3	2.795	.433
	R2229	R1229	PG-29	.630 - .827	1.7	3.346	.433



# SKINTOP® GMP-GL

Hexagonal Locknuts for NPT, PG & Metric Connectors






Metric  
Only

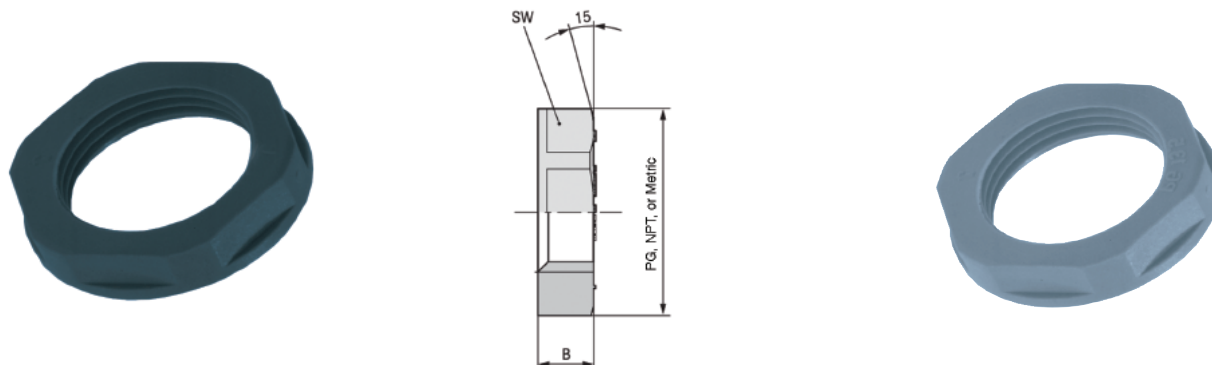


Designed for use with SKINTOP® cable glands with NPT, PG and Metric Threads

Halogen-free metric locknuts are also available.

## Technical Data:

 Materials:	Polyamide, glass fiber reinforced
Halogen-Free:	Polyamide UL 94 V0
 Color:	Black (RAL 9005) UV Resistant Gray (RAL 7001) Light Gray (RAL 7035) Halogen-Free
 Temperature range:	-20° C to +100° C



## SKINTOP® GMP-GL: NPT Nylon Locknuts

Part Number	Thread Type & Size	SW Wrenching Flats inches	B Nut Thickness inches	Standard Pack Size	Weight 100 pcs. lbs.
911370	NPT-3/8"	0.866	.198"	100	0.05
911371	NPT-1/2"	1.063	.236"	100	0.05
911372	NPT-3/4"	1.417	.276"	50	1.00
911373	NPT-1"	1.654	.276"	50	1.50

\* NPT Locknuts- Black only

## SKINTOP® GMP-GL: PG Nylon Locknuts

Part Number		Thread Type & Size	SW Wrenching Flats inches	B Nut Thickness	Standard Pack Size	Weight 100 pcs. lbs.
Black	Gray					
53019200	53019000	PG-7	0.748	.197	100	0.25
53019210	53019010	PG-9	0.866	.197	100	0.50
53019220	53019020	PG-11	0.945	.197	100	0.50
53019230	53019030	PG-13	1.063	.236	100	0.50
53019240	53019040	PG-16	1.181	.236	100	0.75
53019250	53019050	PG-21	1.417	.276	50	1.00
53019260	53019060	PG-29	1.811	.276	50	1.50
53019270	53019070	PG-36	2.362	.315	25	3.25
53019280	53019080	PG-42	2.559	.315	25	3.25
53019290	53019090	PG-48	2.756	.315	25	3.50

## SKINTOP® GMP-GL: Metric Nylon Locknuts

Part Number			Thread Type & Size	SW Wrenching Flats inches	B Nut Thickness	Standard Pack Size	Weight 100 pcs. lbs.
Black	Gray	Light Gray Halogen Free					
53119100	53119000	53119200	M-12X1.5	0.669	.197	100	0.25
53119110	53119010	53119210	M-16X1.5	0.866	.197	100	0.50
53119120	53119020	53119220	M-20X1.5	1.063	.236	100	0.50
53119130	53119030	53119230	M-25X1.5	1.339	.236	100	0.75
53119140	53119040	53119240	M-32X1.5	1.614	.276	100	1.25
53119150	53119050	-	M-40X1.5	1.969	.276	25	1.75
53119160	53119060	-	M-50X1.5	2.362	.315	25	2.00
53119170	53119070	-	M-63X1.5	2.953	.315	25	3.00

# SKINTOP® MS-NPT/ MSR-NPT

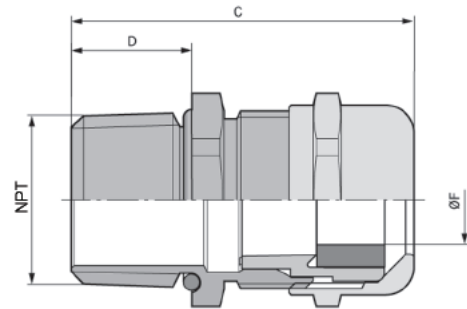
Liquid Tight, Metallic Strain Relief Cable Gland with NPT Threads



SKINTOP® MS-NPT/ MSR-NPT is a superior quality, liquid tight, metallic cable gland intended for applications where ruggedness and durability are required. These cable glands are suitable for a wide range of applications from manufacturing machinery to measurement and control equipment, including automation and robotics.

### Application Advantage:

- Suitable for use in areas with high demands on special mechanical and chemical stability
- The heavy duty SKINTOP® design provides great pullout strength and very reliable strain relief
- Extended temperature range due to the nickel-plated brass body
- Generous high quality neoprene bushing and perbunan o-ring provide a liquid tight and dust proof, hermetic seal



### Complete the installation with:

Cable O.D. Page 486	EPIC® Connectors: Page 258	SKINTOP® DIX Page 524	Plugs Page 526
---------------------	----------------------------	-----------------------	----------------

### Technical Data:

Materials:	Body: Nickel-Plated Brass	Protection:	IP 68, 5 Bar (Exceeds NEMA 6/ 6P Pressure rating)
	Insert: Polyamide	Temperature Range:	-30°C to +100°C
	Bushing: CR	Locknuts:	Add NPT Metal Locknuts, see Page 522
	O-Ring: Perbunan (NBR)		

## SKINTOP® MS-NPT: Liquid Tight, Metallic Strain Relief Cable Gland with NPT Threads

Part Number	Thread Type & Size	Clamping Range of inches	SW Wrenching Flats inches	C Overall Length inches	D Thread Length inches	Standard Pack Size
53112004	NPT-1/4"	0.138 - 0.276	0.630	1.417	.591	100
53112014	NPT-3/8"	0.177 - 0.394	0.787	1.563	.591	100
53112024	NPT-1/2"	0.276 - 0.512	0.945	1.673	.591	50
53112034	NPT-3/4"	0.354 - 0.669	1.142	1.752	.591	25
53112044	NPT-1"	0.433 - 0.827	1.417	1.929	.591	25
53112054	NPT-1-1/4"	0.748 - 1.102	1.772	2.264	.669	10
53112064	NPT-1-1/2"	1.063 - 1.378	2.126	2.421	.669	5
53112074	NPT-2"	1.339 - 1.772	2.638	2.500	.669	5

## SKINTOP® MSR-NPT: NPT Liquid Tight, Metallic Strain Relief Cable Gland with Reducer Bushing

Part Number	Thread Type & Size	Clamping Range of inches	SW Wrenching Flats inches	C Overall Length inches	D Thread Length inches	Standard Pack Size
53112006	NPT-1/4"	0.039 - 0.197	0.630	1.417	.591	100
53112016	NPT-3/8"	0.079 - 0.276	0.787	1.563	.591	100
53112026	NPT-1/2"	0.197 - 0.394	0.945	1.673	.591	50
53112036	NPT-3/4"	0.236 - 0.512	1.142	1.752	.591	25
53112046	NPT-1"	0.276 - 0.591	1.417	1.929	.591	25
53112056	NPT-1-1/4"	0.591 - 0.906	1.772	2.264	.669	10
53112066	NPT-1-1/2"	0.866 - 1.142	2.126	2.421	.669	5
53112076	NPT-2"	1.102 - 1.535	2.638	2.500	.669	5

# SKINTOP® MS/ MSR

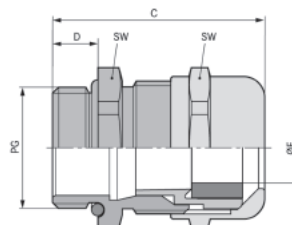


## Liquid Tight, Metallic Strain Relief Cable Gland with PG Threads

SKINTOP® MS/ MSR is a superior quality, liquid tight, metallic cable gland intended for applications where ruggedness and durability are required. These cable glands are suitable for a wide range of applications from manufacturing machinery to measurement and control equipment, including automation and robotics.

### Application Advantage:

- Suitable for use in areas with high demands on special mechanical and chemical stability
- The heavy duty SKINTOP® design provides great pullout strength and very reliable strain relief
- Extended temperature range due to the nickel-plated brass body
- Generous high quality neoprene bushing and perbunan o-ring provide a liquid tight and dust proof, hermetic seal



### Complete the installation with:

Cable O.D. Page 486	EPIC® Connectors: Page 258	SKINTOP® DIX Page 524	Plugs Page 526
---------------------	----------------------------	-----------------------	----------------

### Technical Data:

<b>Materials:</b>		<b>Protection:</b>	IP 68, 5 Bar (Exceeds NEMA 6/ 6P Pressure rating) when used with o-ring
Body:	Nickel-Plated Brass		
Insert:	Polyamide		
Bushing:	CR	<b>Temperature Range:</b>	-30°C to +100°C
O-Ring:	Perbunan (NBR)	<b>Locknuts:</b>	Add SM Locknuts, see Page 522

### SKINTOP® MS: Liquid Tight, Metallic Strain Relief Cable Gland with PG Threads

Part Number	Thread Type & Size	Clamping Range øF inches	SW Wrenching Flats inches	C Overall Length inches	D Thread Length inches	Standard Pack Size
52015700	PG-7	0.079 - 0.256	0.551	0.984	.197	100
52015710	PG-9	0.157 - 0.315	0.669	1.142	.236	100
52015720	PG-11	0.157 - 0.394	0.787	1.260	.236	50
52015730	PG-13	0.197 - 0.472	0.866	1.339	.256	50
52015740	PG-16	0.315 - 0.551	0.945	1.378	.256	50
52015750	PG-21	0.433 - 0.709	1.181	1.575	.276	25
52015760	PG-29	0.630 - 0.984	1.575	1.890	.315	25
52015765	PG-36	0.748 - 1.260	1.969	2.441	.591	10
52015766	PG-42	1.102 - 1.496	2.244	2.441	.591	5
52015767	PG-48	1.339 - 1.732	2.520	2.441	.591	5

### SKINTOP® MSR: Liquid Tight, Metallic Strain Relief Cable Gland with Reducer Bushing & PG Threads

Part Number	Thread Type & Size	Clamping Range øF inches	SW Wrenching Flats inches	C Overall Length inches	D Thread Length inches	Standard Pack Size
52015770	PG-7	0.079 - 0.197	.551	0.984	.197	100
52015780	PG-9	0.079 - 0.236	.669	1.142	.236	100
52015790	PG-11	0.118 - 0.276	.787	1.260	.236	50
52015800	PG-13	0.157 - 0.354	.866	1.339	.256	50
52015810	PG-16	0.236 - 0.512	.945	1.378	.256	50
52015820	PG-21	0.315 - 0.630	1.181	1.575	.276	25
52015830	PG-29	0.413 - 0.787	1.575	1.890	.315	25
52015831	PG-36	0.748 - 1.024	1.969	2.441	.591	10
52015832	PG-42	0.945 - 1.220	2.244	2.441	.591	5
52015833	PG-48	1.102 - 1.378	2.520	2.441	.591	5

# SKINTOP® MS-XL/ MSR-XL

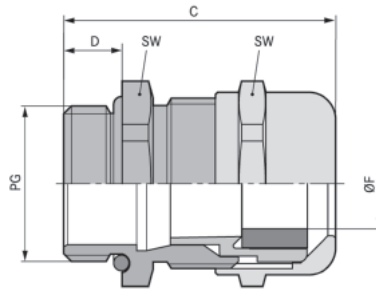


## Liquid Tight, Metallic Strain Relief Cable Gland with Extended PG Threads

SKINTOP® MS-XL/ MSR-XL is a superior quality, liquid tight, metallic cable gland intended for applications where ruggedness, durability and long threads are required. These cable glands are suitable for a wide range of applications from manufacturing machinery to measurement and control equipment, including automation and robotics.

### Application Advantage:

- Ideal for heavy wall applications or for use with locknuts where tapped holes cannot be provided
- Suitable for use in areas with high demands on special mechanical and chemical stability
- The heavy duty SKINTOP® design provides great pullout strength and very reliable strain relief
- Extended temperature range due to the nickel-plated brass body
- Generous high quality neoprene bushing and perbunan o-ring provide a liquid tight and dust proof, hermetic seal



**Complete the installation with:**

SKINTOP®  
DIX  
Page 524

Plugs  
Page 526

### Technical Data:

<p> <b>Materials:</b>          Body: Nickel-Plated Brass          Insert: Polyamide          Bushing: CR          O-Ring: Perbunan (NBR)</p>	<p> <b>Protection:</b> 70 PSI  <b>Seal:</b> IP 68, 5 Bar          (Exceeds NEMA 6/ 6P Pressure rating) when used with o-ring</p> <p> <b>Temperature Range:</b> -30° C to +100° C</p> <p><b>Locknuts:</b> Add SM Locknuts, see Page 522</p>
--------------------------------------------------------------------------------------------------------------------------------------------------------------	----------------------------------------------------------------------------------------------------------------------------------------------------------------------------------------------------------------------------------------------------

### SKINTOP® MS-XL: Liquid Tight, Metallic Strain Relief Cable Gland with Extended PG Threads

Part Number	Thread Type & Size	Clamping Range øF inches	SW Wrenching Flats inches	C Overall Length inches	D Thread Length inches	Standard Pack Size
52115700	PG-7	.079 - .256	0.551	1.260	.472	100
52115710	PG-9	.157 - .315	0.669	1.378	.472	100
52115720	PG-11	.157 - .394	0.787	1.496	.472	50
52115730	PG-13	.197 - .472	0.866	1.555	.472	50
52115740	PG-16	.315 - .551	0.945	1.594	.472	50
52115750	PG-21	.433 - .709	1.181	1.772	.472	25
52115760	PG-29	.630 - .984	1.575	2.047	.591	25

### SKINTOP® MSR-XL: Liquid Tight, Metallic Cable Gland with Reducer Bushing & Extended PG Threads

Part Number	Thread Type & Size	Clamping Range øF inches	SW Wrenching Flats inches	C Overall Length inches	D Thread Length inches	Standard Pack Size
52115770	PG-7	.079 - .197	0.551	1.260	.472	100
52115780	PG-9	.079 - .236	0.669	1.378	.472	100
52115790	PG-11	.118 - .276	0.787	1.496	.472	50
52115800	PG-13	.157 - .354	0.866	1.555	.472	50
52115810	PG-16	.236 - .512	0.945	1.594	.472	50
52115820	PG-21	.315 - .630	1.181	1.772	.472	25
52115830	PG-29	.413 - .787	1.575	2.047	.591	25

# SKINTOP® MS-M/ MSR-M

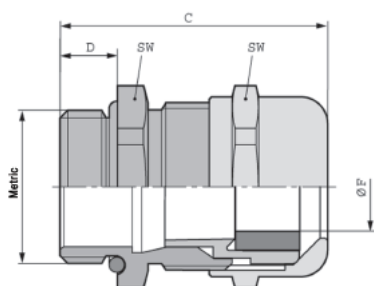
Liquid Tight, Metallic Strain Relief Cable Gland in Metric Sizes to Meet the European Union Standards



SKINTOP® MS-M/ MSR-M is a superior quality, liquid tight, metallic cable gland intended for applications where ruggedness and durability are required. These cable glands are suitable for a wide range of applications from manufacturing machinery to measurement and control equipment, including automation and robotics.

### Application Advantage:

- Suitable for use in areas with high demands on special mechanical and chemical stability
- The heavy duty SKINTOP® design provides great pullout strength and very reliable strain relief
- Extended temperature range due to the nickel-plated brass body
- Generous high quality neoprene bushing and perbunan o-ring provide a liquid tight and dust proof, hermetic seal



Cable O.D. Page 486	EPIC® Connectors: Page 258	SKINTOP® DIX Page 524	Plugs Page 526
---------------------	----------------------------	-----------------------	----------------

### Technical Data:

	Materials:			Protection:	70 PSI
	Body:	Nickel-Plated Brass		Seal:	IP 68, 10 Bar (Exceeds NEMA 6/ 6P Pressure rating)
	Insert:	Polyamide		Temperature Range:	-30° C to +100° C
	Bushing:	CR		Locknuts:	Add SM-M Locknuts, see Page 522
	O-Ring:	Perbunan (NBR)			

### SKINTOP® MS-M: Liquid Tight, Metallic Strain Relief Cable Gland with Metric Threads

Part Number	Thread Type & Size	Clamping Range ØF inches	SW Wrenching Flats inches	C Overall Length inches	D Thread Length inches	Standard Pack Size
53112000	M-12X1.5	0.138 - 0.276	0.630	1.043	.256	100
53112010	M-16X1.5	0.177 - 0.394	0.787	1.299	.276	100
53112020	M-20X1.5	0.276 - 0.512	0.945	1.457	.315	50
53112030	M-25X1.5	0.354 - 0.669	1.142	1.516	.315	25
53112040	M-32X1.5	0.433 - 0.827	1.417	1.791	.354	25
53112050	M-40X1.5	0.748 - 1.102	1.772	1.890	.354	10
53112060	M-50X1.5	1.063 - 1.378	2.126	2.185	.394	5
53112070	M-63X1.5	1.339 - 1.772	2.638	2.638	.591	5
53112080	M-75X1.5	1.732 - 2.165	2.953	2.579	.591	5
53112510	M-75X1.5	2.283 - 2.677	3.740	4.134	.591	1

### SKINTOP® MSR-M: Liquid Tight, Metallic Strain Relief Cable Gland with Reducer Bushing & Metric Threads

Part Number	Thread Type & Size	Clamping Range ØF inches	SW Wrenching Flats inches	C Overall Length inches	D Thread Length inches	Standard Pack Size
53112100	M-12X1.5	0.039 - 0.197	0.630	1.043	.256	100
53112110	M-16X1.5	0.079 - 0.276	0.787	1.299	.276	100
53112120	M-20X1.5	0.197 - 0.394	0.945	1.457	.315	50
53112130	M-25X1.5	0.236 - 0.512	1.142	1.516	.315	25
53112140	M-32X1.5	0.276 - 0.591	1.417	1.791	.354	25
53112150	M-40X1.5	0.591 - 0.906	1.772	1.890	.354	10
53112160	M-50X1.5	0.866 - 1.142	2.126	2.185	.394	5
53112170	M-63X1.5	1.102 - 1.535	2.638	2.638	.591	5
53112511	M-75X1.5	2.087 - 2.480	3.740	4.134	.591	1

# SKINTOP® MS-M-XL/ MSR-M-XL



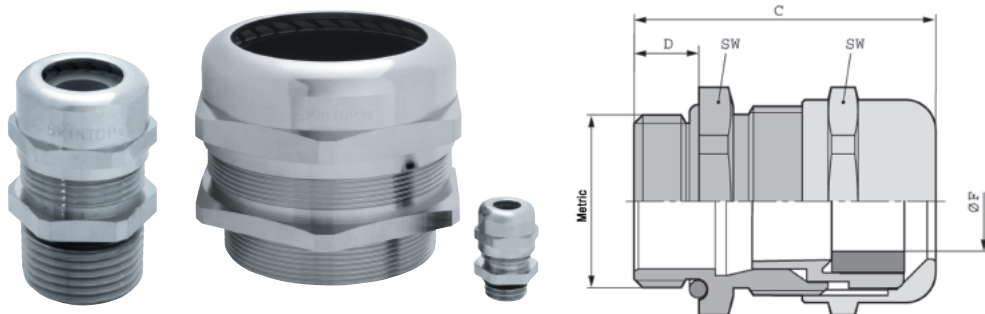
## Liquid Tight, Metallic Strain Relief Cable Gland with Extended Metric Threads

SKINTOP® MS-M-XL, MSR-M-XL and MS-M-63 PLUS are superior quality, liquid tight, metallic cable gland intended for applications where ruggedness, durability and long threads are required.

SKINTOP® MS-M-63 PLUS provides a clamping range of 44 to 55 mm, which was not achievable before, while maintaining the protection, stability and safety of a strain relief cable gland.

### Application Advantage:

- Ideal for heavy wall applications or for use with locknuts where tapped holes cannot be provided
- Suitable for use in areas with high demands on special mechanical and chemical stability
- The heavy duty SKINTOP® design provides great pullout strength and very reliable strain relief
- Extended temperature range due to the nickel-plated brass body
- Generous high quality neoprene bushing and perbunan o-ring provide a liquid tight and dust proof, hermetic seal



**Complete the installation with:**

	SKINTOP® DIX Page 524		Plugs Page 526
--	-----------------------------	--	-------------------

### Technical Data:

	Materials:			Protection:	70 PSI
	Body:	Nickel-Plated Brass		Seal:	IP 68, 5 Bar (Exceeds NEMA 6/ 6P Pressure rating)
	Insert:	Polyamide			
	Bushing:	CR		Temperature Range:	-30°C to +100°C
	O-Ring:	Perbunan (NBR)		Locknuts:	Add SM-M Locknuts, see Page 522

### SKINTOP® MS-M-XL: Liquid Tight, Metallic Cable Gland with Extended Metric Threads

Part Number	Thread Type & Size	Clamping Range of F inches	SW Wrenching Flats inches	C Overall Length inches	D Thread Length inches	Standard Pack Size
53112005	M-12X1.5	0.138 - 0.276	0.630	1.291	.472	100
53112015	M-16X1.5	0.177 - 0.394	0.787	1.457	.472	50
53112025	M-20X1.5	0.276 - 0.512	0.945	1.555	.472	50
53112035	M-25X1.5	0.354 - 0.669	1.142	1.634	.472	25
53112045	M-32X1.5	0.433 - 0.827	1.417	1.898	.591	25
53112055	M-40X1.5	0.748 - 1.102	1.772	2.106	.591	10
53112065	M-50X1.5	1.063 - 1.378	2.126	2.244	.591	5

### SKINTOP® MS-M-63 Plus: Liquid Tight, Metallic Cable Gland with Extended Metric Threads

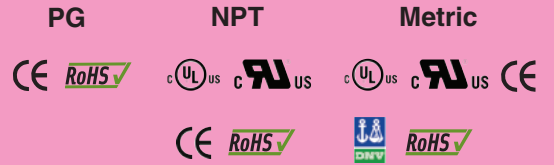
Part Number	Thread Type & Size	Clamping Range of F inches	SW Wrenching Flats inches	C Overall Length inches	D Thread Length inches	Standard Pack Size
53112080	M-63X1.5	1.732 - 2.165	2.953	2.579	.591	5

### SKINTOP® MSR-M-XL: Liquid Tight, Metallic Cable Gland with Extended Metric Threads & Reducer Bushing

Part Number	Thread Type & Size	Clamping Range of F inches	SW Wrenching Flats inches	C Overall Length inches	D Thread Length inches	Standard Pack Size
53112105	M-12X1.5	.039 - .197	0.630	1.291	.472	100
53112115	M-16X1.5	.079 - .276	0.787	1.457	.472	50
53112125	M-20X1.5	.197 - .394	0.945	1.555	.472	50
53112135	M-25X1.5	.236 - .512	1.142	1.634	.472	25
53112145	M-32X1.5	.276 - .591	1.417	1.898	.591	25
53112155	M-40X1.5	.591 - .906	1.772	2.106	.591	10
53112165	M-50X1.5	.866 - 1.142	2.126	2.244	.591	5

# SKINTOP® MS-SC/ MS-SCL

Liquid Tight, Metallic Strain Relief for EMC Shielding  
Cable Gland with NPT, PG & Metric Threads



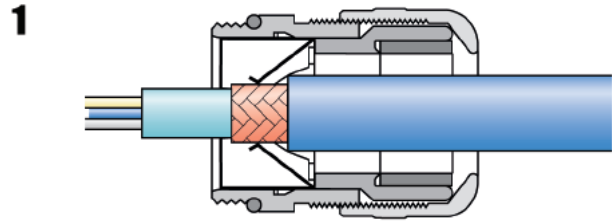
SKINTOP® MS-SC is uniquely designed to address EMC considerations with its simplified grounding feature. In a few easy steps, the cable is grounded, strain relieved and sealed from moisture and dust in accordance with IP 68. The cable gland's contact springs establish a continuous electrical path from the shield of the cable to equipment ground, creating a secure shield connection.

### Application Advantage:

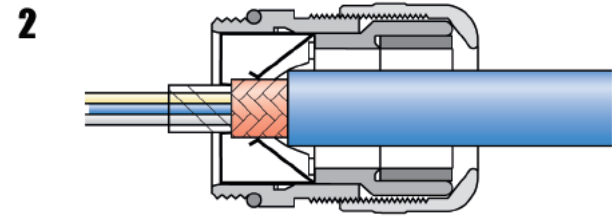
- Optimal EMC protection
- Suitable for braid shielded cable
- Minimal assembly steps
- The contact spring's unique design can accept cable diameters with wide dimensional tolerances
- Available in both standard and long length threads for heavy-wall applications



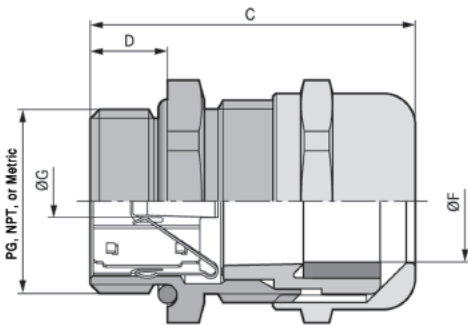
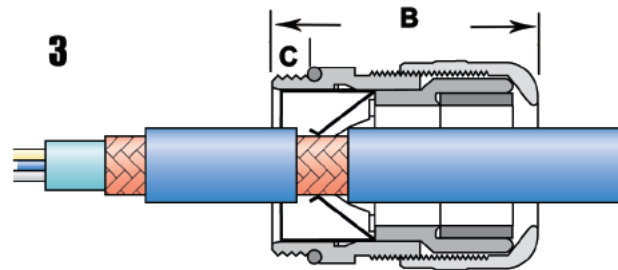
### For standard contacting




### For thin wires without an inner sheath




### When routing the cable screen to another connection



### Technical Data:

 Materials:	
Body:	Nickel-Plated Brass
Insert:	Polyamide
Bushing:	CR
O-Ring:	Perbunan (NBR)

 Seal: IP 68, 5 Bar \*  
(Exceeds NEMA 6/ 6P Pressure rating)

 Temperature Range: -30°C to +100°C

Locknuts: Add SM-PE Locknuts, see Page 523

\* when used with o-ring

# SKINTOP® MS-SC/ MS-SCL

Liquid Tight, Metallic Strain Relief for EMC Shielding  
Cable Gland with NPT, PG & Metric Threads



## NPT THREADS

### SKINTOP® MS-SC: Liquid Tight, Metallic Strain Relief Cable Gland with NPT Threads

Part Number	Thread Type & Size	Clamping Range of F inches	SW Wrenching Flats inches	C Overall Length inches	D Thread Length inches	Standard Pack Size
53112910	NPT-3/8"	0.177 - 0.354	0.787	1.563	.591	100
53112920	NPT-1/2"	0.276 - 0.492	0.945	1.673	.591	50
53112930	NPT-3/4"	0.354 - 0.650	1.142	1.752	.591	25
53112940	NPT-1"	0.433 - 0.827	1.417	1.929	.669	25
53112950	NPT-1-1/4"	0.748 - 1.102	1.772	2.264	.669	10
53112960	NPT-1-1/2"	1.063 - 1.375	2.126	2.126	.669	5

## PG THREADS (not UL)

### SKINTOP® MS-SC: Liquid Tight, Metallic Strain Relief Cable Gland with PG Threads

Part Number	Thread Type & Size	Clamping Range of F inches	SW Wrenching Flats inches	C Overall Length inches	D Thread Length inches	Min ø above braiding	Standard Pack Size
53112210	PG-9	.118 - 0.315	0.669	1.142	.236	.157	50
53112220	PG-11	.157 - 0.394	0.787	1.260	.236	.157	50
53112230	PG-13	.197 - 0.472	0.866	1.339	.256	.157	25
53112240	PG-16	.315 - 0.551	0.945	1.378	.256	.236	25
53112250	PG-21	.433 - 0.689	1.181	1.575	.276	.315	25
53112260	PG-29	.630 - 0.984	1.575	1.890	.315	.512	10
53112270	PG-36	.748 - 1.260	1.969	2.441	.591	.630	5

### SKINTOP® MS-SCL: Liquid Tight, Metallic Strain Relief Cable Gland with Extended PG Threads

Part Number	Thread Type & Size	Clamping Range of F inches	SW Wrenching Flats inches	C Overall Length inches	D Thread Length inches	Min ø above braiding	Standard Pack Size
53112310	PG-9	.118 - .315	0.669	1.378	.472	.157	50
53112320	PG-11	.157 - .394	0.787	1.496	.472	.157	50
53112330	PG-13	.197 - .472	0.866	1.555	.472	.157	25
53112340	PG-16	.315 - .551	0.945	1.594	.472	.236	25
53112350	PG-21	.433 - .689	1.181	1.772	.472	.315	25
53112360	PG-29	.630 - .984	1.575	2.047	.591	.512	10

## METRIC THREADS

### SKINTOP® MS-SC-M: Liquid-Tight, Metallic Strain Relief Cable Gland with Metric Threads

Part Number	Thread Type & Size	Clamping Range of F inches	SW Wrenching Flats inches	C Overall Length inches	D Thread Length inches	Standard Pack Size
53112610	M-12X1.5	0.138 - 0.276	0.630	1.043	.256	50
53112620	M-16X1.5	0.177 - 0.354	0.787	1.299	.276	50
53112630	M-20X1.5	0.276 - 0.492	0.945	1.457	.315	25
53112640	M-25X1.5	0.354 - 0.650	1.142	1.516	.315	25
53112650	M-32X1.5	0.433 - 0.827	1.417	1.791	.354	25
53112660	M-40X1.5	0.748 - 1.102	1.772	1.890	.354	10
53112670	M-50X1.5	1.063 - 1.378	2.126	2.185	.394	5

### SKINTOP® MS-SC-M-XL: Liquid-Tight, Metallic Strain Relief Cable Gland with Extended Metric Threads

Part Number	Thread Type & Size	Clamping Range of F inches	SW Wrenching Flats inches	C Overall Length inches	D Thread Length inches	Standard Pack Size
53112625	M-16X1.5	0.177 - 0.354	0.787	1.496	.472	50
53112635	M-20X1.5	0.276 - 0.492	0.945	1.614	.472	25
53112645	M-25X1.5	0.354 - 0.650	1.142	1.673	.472	25
53112655	M-32X1.5	0.433 - 0.827	1.417	2.028	.591	25
53112665	M-40X1.5	0.748 - 1.102	1.772	2.126	.591	10
53112675	M-50X1.5	1.063 - 1.378	2.126	2.382	.591	5

# SKINTOP® MS-M BRUSH



Liquid Tight, Metallic Strain Relief for EMC Shielding Applications  
Easy to Assemble, Cable Gland with Metric Threads

The SKINTOP® MS-M BRUSH provides centered, fixed strain relief with a liquid tight and dust proof seal (IP68), all in one step. Simply insert the cable, push the screen braid under the innovative EMC brush, tighten and the connection is made.

The SKINTOP® MS-M BRUSH Plus sizes offers extra large clamping ranges.

### Application Advantage:

- Faster, easier, reliable screen contact
- Maximum assembly and adjustment possibilities
- 360° contact area allows for optimal low-resistance current return ground path



### SPECIAL FEATURES

SKINTOP® sizes M75X1.5 to M110X2.0 feature the innovative, double lamella gasket for easier assembling of cables with larger diameters

### Technical Data:

	Materials:			Seal:	IP 68
	Body:	Nickel-Plated Brass			(Exceeds NEMA 6/6P Pressure rating)
	Insert:	Polyamide			IP 69 K (M12x1.5 - M63x1.5)
	Bushing:	Special Elastomer			
	O-Ring:	Special Elastomer		Temperature Range:	-30°C to +100°C

### SKINTOP® MS-M BRUSH: Liquid Tight, Metallic Strain Relief for EMC Shielding Applications

Part Number	Thread Type & Size	Clamping Range inches	SW Wrenching Flats inches	Minimum $\phi$ above braiding inches	Thread Length inches	Standard Pack Size
53112676	M-25X1.5	0.354 - 0.669	1.142	0.236	0.315	10
53112677	M-32X1.5	0.433 - 0.827	1.417	0.315	0.354	1
53112678	M-40X1.5	0.748 - 1.102	1.772	0.394	0.354	1
53112679	M-50X1.5	1.063 - 1.378	2.126	0.551	0.394	1
53112680	M-63X1.5	1.339 - 1.772	2.638	0.787	0.591	1
53112681	M-63X1.5, plus	1.732 - 2.165	2.953	0.984	0.591	1
53112501	M-75X1.5	2.087 - 2.480	3.740	1.378	0.591	1
53112500	M-75X1.5, plus	2.283 - 2.677	3.740	1.378	0.591	1
53112503	M-90X2.0	2.598 - 3.071	4.528	1.772	0.787	1
53112505	M-110X2.0	2.992 - 3.465	5.315	2.165	0.984	1
53112504	M-110X2.0, plus	3.386 - 3.858	5.315	2.165	0.984	1

Please note:

\*UL and VDE approvals pending on sizes M90X1.5 to M110X2.0

# SKINTOP® MS-M/ MSR-M ATEX

Liquid Tight, Metallic Cable Glands according to ATEX for Hazardous Areas with Metric Threads

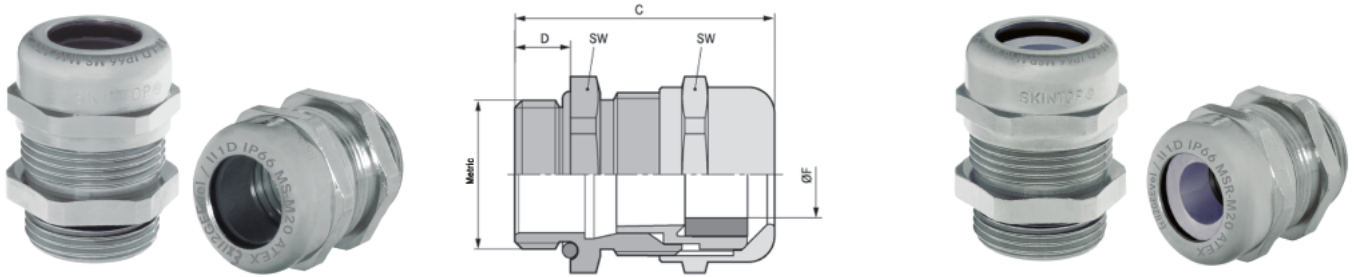


SKINTOP® MS-M ATEX and MSR-M ATEX were developed for use in areas with risk of explosion and for cables used with fail-safe circuits in housings and devices which require class “e” security. SKINTOP® MS-M ATEX and MSR-M ATEX are recommended for use in the chemical and petrochemical industry, mobile offshore and marine applications. SKINTOP® MSR-M ATEX is equipped with a reducer bushing to seal cables with a smaller outer diameter.



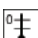
SKINTOP® MS-M-63 Plus ATEX provides a clamping range of 44 to 55 mm, which was not achievable before, while maintaining the protection, stability and safety of a strain relief cable gland.

### Application Advantage:

- The heavy duty SKINTOP® design provides great pull out strength and very reliable strain relief
- Superior integrated locking mechanism includes an internal ratchet for vibration proof protection
- Multi-trapezoidal thread requires just one twist to tighten
- Equipment Group II, Category 2G + 1D



### Technical Data:

 <b>Materials:</b>	<b>Body:</b> Nickel-Plated Brass	 <b>Seal:</b>	IP 68, 10 Bar (Exceeds NEMA 6/ 6P Pressure rating) when used with o-ring
	<b>Insert:</b> Polyamide		
	<b>Bushing:</b> CR	 <b>Temperature Range:</b>	-30°C to +90°C
	<b>O-Ring:</b> Perbunan (NBR)		
		<b>Locknuts:</b>	Not Permitted

### SKINTOP® MS-M ATEX: Liquid Tight, Metallic Cable Gland with Metric Threads

Part Number	Thread Type & Size	Clamping Range øF inches	SW Wrenching Flats inches	C Overall Length inches	D Thread Length inches	Standard Pack Size
53112700	M-12X1.5	0.118 - 0.276	0.630	1.043	.256	100
53112710	M-16X1.5	0.177 - 0.394	0.787	1.299	.276	100
53112720	M-20X1.5	0.276 - 0.512	0.945	1.457	.315	50
53112730	M-25X1.5	0.354 - 0.669	1.142	1.516	.315	25
53112740	M-32X1.5	0.433 - 0.827	1.417	1.791	.354	25
53112750	M-40X1.5	0.748 - 1.102	1.772	1.890	.354	10
53112760	M-50X1.5	1.024 - 1.378	2.126	2.185	.394	5
53112770	M-63X1.5	1.339 - 1.772	2.638	2.638	.591	5

### SKINTOP® MS-M-63 Plus ATEX: Liquid Tight, Metallic Cable Gland with Metric Threads

Part Number	Thread Type & Size	Clamping Range øF inches	SW Wrenching Flats inches	C Overall Length inches	D Thread Length inches	Standard Pack Size
53112779	M-63X1.5	1.732 - 2.165	2.953	2.579	.591	1

### SKINTOP® MSR-M ATEX: Liquid Tight, Metallic Cable Gland with Reducer Bushing & Metric Threads

Part Number	Thread Type & Size	Clamping Range øF inches	SW Wrenching Flats inches	C Overall Length inches	D Thread Length inches	Standard Pack Size
53112705	M-12X1.5	0.079 - 0.197	0.630	1.043	.256	100
53112715	M-16X1.5	0.157 - 0.276	0.787	1.299	.276	100
53112725	M-20X1.5	0.197 - 0.394	0.945	1.457	.315	50
53112735	M-25X1.5	0.236 - 0.512	1.142	1.516	.315	25
53112745	M-32X1.5	0.276 - 0.591	1.417	1.791	.354	25
53112755	M-40X1.5	0.630 - 0.906	1.772	1.890	.354	10
53112765	M-50X1.5	0.748 - 1.142	2.126	2.185	.394	5
53112775	M-63X1.5	1.260 - 1.535	2.638	2.638	.591	5

# Cable Gland for Dangerous and/or Explosive Areas



For Use with Corrugated and Continuously Welded Armor Cable

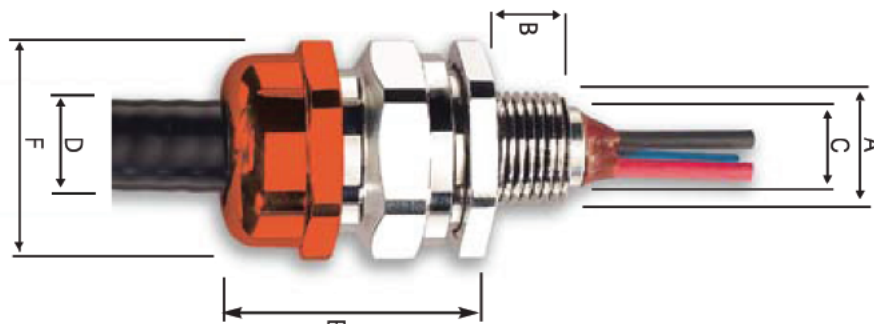
The unique design of this cable gland offers a complete gas block and explosion proof seal for the termination of continuous corrugated and interlocked armor cables in hazardous locations.

### Recommended Applications:

Extreme offshore and onshore environments that require Class I, Div. 1 and Class I, Div. 2 protection.

### Application Advantage:

- Easy, fast and safe method for installation
- Additional integral deluge proof seal for protection in extreme offshore and onshore environments
- Independent sealing and armor clamping
- True 360 grounding
- Superior pullout strength
- Compact, slim profile
- Supplied with epoxy sealing compound
- Disconnectable design



### Technical Data:

<b>Materials:</b> Body: Aluminum Nickel Plated Stainless Steel Seal: Epoxy Resin Barrier Compound	<b>Protection:</b> IP 66 NEC CEC	- Class 1 Div. 1 & 2 Groups A, B, C, D - Class II Div. 1 & 2 Groups E, F, G - Class III Div. 1 & 2 - Class 1 Zone 1 AExd IIC - Class 1 Div. 1 & 2 Groups A, B, C, D - Class II Div. 1 & 2 Groups E, F, G - Class III Div. 1 & 2 - Class 1 Zone 1 Exd IIC

Aluminum Part Number	Nickel Plated Brass Part Number	Stainless Steel Part Number	Entry Thread		Cable Armor Diameter		D Cable Jacket Diameter	E Nominal Assembled Length	F Overall Diameter
			A NPT	B Min. Thread Length	End Stop In Min. - Max.	End Stop Out Min. - Max.			
61U10000	61U10013	61U10026	NPT-1/2"	0.590	-	0.342 - 0.503	0.354 - 0.547	2.20	1.31
61U10001	61U10014	61U10027	NPT-1/2"	0.590	-	0.510 - 0.669	0.550 - 0.787	2.20	1.57
61U10002	61U10015	61U10028	NPT-3/4"	0.590	0.591 - 0.756	0.756 - 0.917	0.669 - 1.035	2.20	1.79
61U10003	61U10016	61U10029	NPT-1"	0.630	0.825 - 0.969	0.969 - 1.150	0.910 - 1.268	2.24	2.18
61U10004	61U10017	61U10030	NPT-1-1/4"	0.630	1.083 - 1.228	1.228 - 1.386	1.161 - 1.504	2.24	2.40
61U10005	61U10018	61U10031	NPT-1-1/2"	0.630	1.320 - 1.461	1.461 - 1.618	1.402 - 1.736	2.37	2.62
61U10006	61U10019	61U10032	NPT-2"	0.630	1.508 - 1.677	1.677 - 1.854	1.579 - 2.008	2.60	3.06
61U10007	61U10020	61U10033	NPT-2"	0.630	1.772 - 1.933	1.933 - 2.087	1.858 - 2.205	2.81	3.28
61U10008	61U10021	61U10034	NPT-2-1/2"	0.900	2.052 - 2.161	2.161 - 2.320	2.079 - 2.441	2.88	3.49
61U10009	61U10022	61U10035	NPT-2-1/2"	0.900	2.247 - 2.406	2.406 - 2.545	2.327 - 2.677	2.88	3.71
61U10010	61U10023	61U10036	NPT-3"	0.980	2.543 - 2.776	2.776 - 2.965	2.622 - 3.126	3.92	4.80
61U10011	61U10024	61U10037	NPT-3-1/2"	1.437	2.913 - 3.291	3.291 - 3.485	2.992 - 3.827	4.61	5.82
61U10012	61U10025	61U10038	NPT-4"	1.437	-	3.500 - 4.020	3.700 - 4.220	7.66	5.84

# SKINDICHT® CN/ CN-M

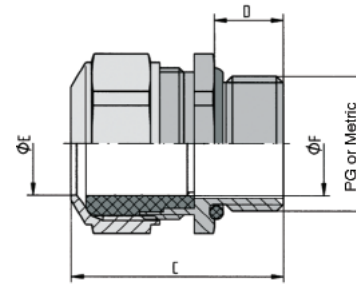


## Chromium-Nickel Steel Cable Gland with PG and Metric Threads

SKINDICHT® CN/CN-M is a high quality, chromium-nickel steel cable gland that is able to withstand extreme temperatures. This gland is ideal for harsh environments including pharmaceutical, petrochemical industry and offshore applications.

### Application Advantage:

- Suitable for use in temperatures up to +200°C/392°F
- Highly resistant to acids, caustics and aggressive solvents



### Technical Data:



Materials:  
Body:

Chrome Nickel Steel in accordance with DIN, material no. 1.4305



Protection:

IP 68



Temperature Range:

-25° C to +200° C

Seal:  
O-ring:

FPM  
FPM

### SKINDICHT® CN: Chromium-Nickel Steel Cable Gland with PG Threads

Part Number	Thread Type & Size	Clamping Range øF inches	Across Flats	C Overall Length inches	D Thread Length inches	Standard Pack Size
52032520	PG-9	.24 - 0.39	0.71	1.10	.39	5
52032525	PG-11	.20 - 0.47	0.87	1.26	.39	5
52032540	PG-13	.31 - 0.59	0.94	1.34	.39	5
52032550	PG-16	.31 - 0.59	0.94	1.34	.39	5
52032560	PG-21	.49 - 0.81	1.18	1.65	.47	5
52032570	PG-29	.79 - 1.08	1.61	2.09	.47	5

### SKINDICHT® CN-M: Chromium-Nickel Steel Cable Gland with Metric Threads

Part Number	Thread Type & Size	Clamping Range øF inches	Width Across Flats	C Overall Length inches	D Thread Length inches	Standard Pack Size
52032580	M-12x1.5/1	0.14 - 0.20	0.67	1.06	.39	5
52032590	M-12x1.5/2	0.20 - 0.26	0.67	1.06	.39	5
52032600	M-12x1.5/3	0.26 - 0.31	0.67	1.06	.39	5
52032610	M-16x1.5	0.31 - 0.41	0.71	1.18	.39	5
52032620	M-20x1.5	0.43 - 0.59	0.94	1.22	.39	5
52032630	M-25x1.5	0.63 - 0.81	1.18	1.42	.43	5
52032640	M-32x1.5	0.83 - 1.00	1.42	1.61	.51	5
52032650	M-40x1.5	1.12 - 1.30	1.81	1.73	.51	1
52032660	M-50x1.5	1.46 - 1.65	2.17	1.89	.55	1
52032670	M-63x1.5	1.81 - 2.05	2.76	2.01	.55	1

Viton® is a registered trademark of DuPont de Nemours

# SKINDICHT® SVRE Series Cable Clamp

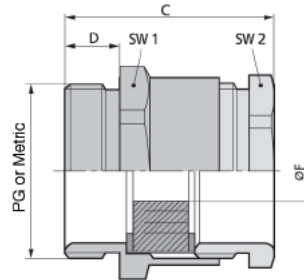


Compact General Purpose Cable Clamps with PG & Metric Threads

The SKINDICHT® SVRE cable clamp is a compact, general purpose cable clamp with an adjustable multi-layered bushing which accommodates a large cable diameter range.

### Application Advantage:

- Provides a cost savings, as the adjustable bushing allows for the storage of fewer sizes
- Suitable for a wide variety of applications that require compact, reliable strain relief
- Cost effective strain relief solution



### Technical Data:

	Materials:			Seal:	IP 54		
	Body:	Nickel-Plated Brass			Locknuts:	Add SM Locknuts, see Page 522	
	Bushing/ Incised Sealing:					Note:	O-Rings available, see Page 531
	PG:	CR					
Metric:	CR/NBR						
	Temperature:	-20°C to +80°C					

### SKINDICHT® SVRE: Compact General Purpose Cable Clamps with PG Threads

Part Number	Thread Type & Size	Inner Thread	Incised Sealing Ring øF inches	Wrenching Flats inches		C Overall Length inches	D Thread Length inches	Standard Pack Size
				SW 1	SW 2			
52005540	PG-9	PG-9	.20/.31	0.67	0.59	0.890	.236	100
52000310	PG-11	PG-11	.28/.39/.49	0.79	0.71	0.929	.236	50
52000320	PG-13	PG-13	.28/.41/.51/.63	0.87	0.79	1.028	.256	50
52000330	PG-16	PG-16	.31/.41/.51/.63	0.94	0.87	1.067	.256	50
52000340	PG-21	PG-21	.43/.59/.71/.79	1.18	1.10	1.165	.276	50
52000350	PG-29	PG-29	.75/.91/1.06/1.22	1.57	1.46	1.283	.315	50
52000360	PG-36	PG-36	.98/1.10/1.22/1.38	1.97	1.85	1.520	.354	20
52005550	PG-42	PG-42	1.38/1.54/1.67/1.81	2.24	2.13	1.717	.394	10
52005560	PG-48	PG-48	1.59/1.73/1.85/1.99	2.52	2.36	1.776	.394	10

### SKINDICHT® SVRE-M: Compact General Purpose Cable Clamps with Metric Threads

Part Number	Thread Type & Size	Inner Thread	Incised Sealing Ring øF inches	Max. Internal Diameter inches	Wrenching Flats inches		C Overall Length inches	D Thread Length inches	Standard Pack Size
					SW 1	SW 2			
52104980	M-16X1.5	PG-9	.20/.31	0.47	0.71	0.59	0.850	.197	100
52104990	M-20X1.5	PG-11	.28/.39/.49	0.59	0.87	0.71	0.909	.236	50
52105000	M-20X1.5	PG-13	.28/.41/.51/.63	0.59	0.87	0.79	0.988	.236	50
52105010	M-20X1.5	PG-16	.31/.41/.51/.63	0.59	0.94	0.87	1.028	.236	50
52105002	M-25X1.5	PG-21	.43/.59/.71/.79	0.79	1.18	1.10	1.165	.276	50
52105003	M-32X1.5	PG-29	.75/.91/1.06/1.22	1.06	1.57	1.46	1.283	.315	50
52105004	M-40X1.5	PG-36	.98/1.10/1.22/1.38	1.34	1.97	1.85	1.480	.315	20
52105005	M-50X1.5	PG-42	1.38/1.54/1.67/1.81	1.73	2.24	2.13	1.677	.354	5
52105006	M-63X1.5	PG-48	1.59/1.73/1.85/1.99	2.13	2.60	2.36	1.776	.394	5

# SKINDICHT® SH Cable Clamp

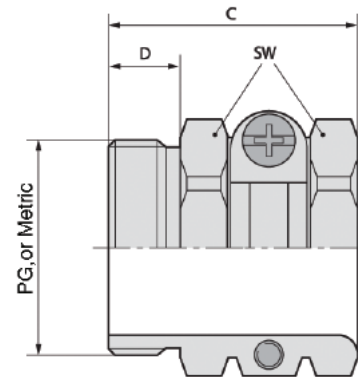


Compact Strain Relief Cable Gland with Single Saddle Clamp with PG Threads

The SKINDICHT® SH cable clamp is an extremely durable, compact strain relief cable gland constructed of corrosion resistant nickel-plated brass. Strain relief is achieved by use of a specially formed nickel-plated brass bracket that provides a secure locking system.

#### Application Advantage:

- Durable, compact and corrosion resistant cable clamp
- Excellent in harsh environment applications including exposure to seawater and chemicals
- Cost effective strain relief solution



#### Technical Data:

Materials: Body:	Nickel-Plated Brass	Temperature Range:	-20° C to +80° C
Seal:	IP 20	Locknuts:	Add SM Locknuts, see Page 522

#### SKINDICHT® SH: Compact Strain Relief Connector with PG Threads

Part Number	Thread Type & Size	Clamping Range of F inches	SW Wrenching Flats inches	C Overall Length inches	D Thread Length inches	Max. Installation Diameter inches	Standard Pack Size
52000830	PG-7	0.315 - 0.394	0.591	0.689	.217	0.866	50
52000840	PG-9	0.394 - 0.492	0.669	0.807	.236	0.984	50
52000850	PG-11	0.433 - 0.591	0.787	0.846	.236	1.102	50
52000860	PG-13	0.551 - 0.650	0.866	0.945	.295	1.260	25
52000870	PG-16	0.591 - 0.709	0.945	1.024	.295	1.378	25
52000880	PG-21	0.709 - 0.925	1.181	1.142	.315	1.811	25
52000890	PG-29	0.906 - 1.220	1.614	1.299	.315	2.283	10
52000900	PG-36	1.142 - 1.594	1.969	1.437	.374	2.756	10
52000910	PG-42	1.339 - 1.772	2.244	1.496	.394	3.071	5
52000920	PG-48	1.535 - 1.969	2.520	1.555	.453	3.386	5

# SKINDICHT® SHZ Cable Clamp

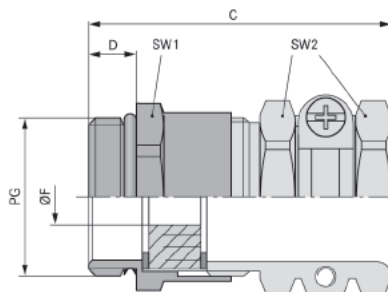


## Compact Strain Relief Cable Gland with Single Saddle Clamp and Additional Sealing

The SKINDICHT® SHZ cable clamp is a compact strain relief cable gland constructed of corrosion resistant nickel-plated brass. It is equipped with an extension fitting to reach protection class IP55. Additional sealing is achieved by the use of an adjustable, multi-layered bushing and an o-ring on the mounting threads.

### Application Advantage:

- Durable, compact and corrosion resistant cable clamp
- Strain relief is attained by use of a specially formed nickel-plated brass bracket
- Excellent in harsh environment applications including exposure to seawater and chemicals



### Technical Data:



Materials:

Body: Nickel-Plated Brass  
 Bushing: CR  
 O-ring: Perbunan (NBR)



Seal:

IP 55



Temperature:

-20° C to +80° C

Locknuts:

Add SM Locknuts, see Page 522

### SKINDICHT® SHZ: Compact Strain Relief Cable Gland with PG Threads

Part Number	Thread Type & Size	Clamping Range ØF inches	SW 1/2 Wrenching Flats inches	C Overall Length inches	D Thread Length inches	Max. Installation Diameter inches	Standard Pack Size
52005590	PG-7	0.197 - 0.236	.55/.59	1.181	.197	0.827	50
52005600	PG-9	0.295 - 0.335	.67/.67	1.339	.236	0.984	50
52000930	PG-11	0.374 - 0.472	.79/.79	1.378	.236	1.102	25
52000940	PG-13	0.492 - 0.551	.87/.87	1.575	.256	1.260	25
52000950	PG-16	0.531 - 0.630	.94/.94	1.654	.256	1.378	25
52000960	PG-21	0.610 - 0.827	1.18/1.18	1.850	.276	1.811	25
52000970	PG-29	0.846 - 1.083	1.57/1.61	2.087	.315	2.283	10
52000980	PG-36	1.063 - 1.339	1.97/1.97	2.402	.354	2.756	10
52005610	PG-42	1.339 - 1.693	2.24/2.24	2.598	.394	3.071	5
52005620	PG-48	1.496 - 1.890	2.52/.252	2.677	.394	3.386	5

### SKINDICHT® SHZ-M: Compact Strain Relief Cable Gland with Metric Threads

Part Number	Thread Type & Size	Inner Thread	Clamping Range ØF inches	SW 1/2 Wrenching Flats inches	C Overall Length inches	D Thread Length inches	Max. Installation Diameter inches	Standard Pack Size
52106700	M-12X1.5	PG 7	0.217 - 0.256	.55/.59	1.181	.197	0.827	50
52106710	M-16X1.5	PG 9	0.197 - 0.315	.71/.67	1.299	.197	0.984	50
52106720	M-20X1.5	PG 11	0.315 - 0.472	.87/.79	1.378	.236	1.102	25
52106730	M-20X1.5	PG 13	0.335 - 0.512	.87/.87	1.555	.236	1.260	25
52106740	M-20X1.5	PG 16	0.315 - 0.591	.94/.94	1.634	.236	1.378	25
52106750	M-25X1.5	PG 21	0.551 - 0.760	1.18/1.18	1.850	.276	1.811	25
52106760	M-32X1.5	PG 29	0.748 - 1.063	1.57/1.61	2.087	.315	2.283	10
52106770	M-40X1.5	PG 36	1.063 - 1.339	1.97/1.97	2.362	.315	2.756	10
52106780	M-50X1.5	PG 42	1.378 - 1.693	2.24/2.24	2.559	.354	3.071	5
52106790	M-63X1.5	PG 48	1.575 - 1.890	2.60/2.52	2.677	.394	3.386	5

# SKINDICHT® SK Series

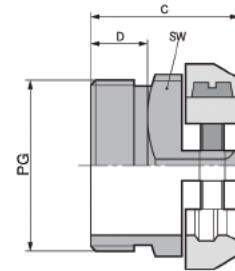


## Compact Strain Relief Cable Gland with Double Saddle Clamp and PG Threads

The SKINDICHT® SK cable gland is equipped with two nickel-plated brass saddle clamps that guarantee reliable strain relief.

### Application Advantage:

- Durable, compact and corrosion resistant cable clamp
- The double saddle clamp arrangement accommodates a wide range of cables that are clamped concentrically



### Technical Data:



**Materials:**  
 Body: Nickel-Plated Brass  
 Brackets: Nickel-Plated Brass  
 Screws: Nickel-Plated Brass



**Seal:** IP 20



**Temperature Range:** -20°C to +200°C

**Locknuts:** Add SM Locknuts, see Page 522

### SKINDICHT® SK: Compact Strain Relief Cable Gland with PG Threads

Part Number	Thread Type & Size	Clamping Range øF inches	SW Wrenching Flats inches	C Overall Length inches	D Thread Length inches	Max. Installation Diameter inches	Standard Pack Size
52004230	PG-9	.236 - 0.472	0.75	0.650	.236	0.945	50
52004240	PG-11	.276 - 0.591	0.83	0.650	.236	1.063	50
52004250	PG-13	.472 - 0.650	0.87	0.728	.295	1.181	25
52004260	PG-16	.512 - 0.709	0.94	0.748	.295	1.299	25
52004270	PG-21	.591 - 0.906	1.18	0.886	.315	1.654	25
51712740	PG-29	.787 - 1.220	1.61	1.024	.315	2.283	10

# SKINDICHT® SKZ/ SKZ-M Series

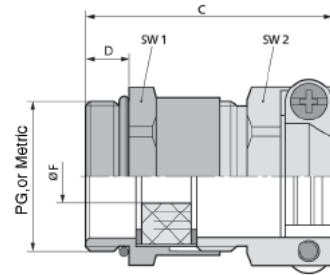


## Compact Strain Relief Cable Gland with Double Saddle Clamp with Additional Sealing in PG & Metric Threads

The SKINDICHT® SKZ cable clamp is a compact strain relief cable gland with double saddle clamps and additional sealing. The sealing is achieved by means of a multi-layered bushing that accommodates a large cable diameter range.

### Application Advantage:

- The extended fitting allows the clamp to reach protection class IP55
- An o-ring is included on the mounting thread to provide additional sealing



### Technical Data:



Materials:  
 Body: Nickel-Plated Brass  
 Saddle Clamp: Nickel-Plated Brass  
 Screws: Nickel-Plated Brass  
 Bushing: Neoprene  
 Sealing O-ring: Perbunan (NBR)  
 Incised Sealing Ring:  
 - SKZ: CR  
 - SKZ-M: CR (NBR)



Temperature: -20° C to +80° C



Seal: IP 55

Locknuts: Add SM Locknuts, see Page 522

### SKINDICHT® SKZ: Compact Strain Relief Cable Gland with PG Threads

Part Number	Thread Type & Size	Clamping Range øF inches	SW 1/2 Wrenching Flats inches	C Overall Length inches	D Thread Length inches	Max. Installation Diameter inches	Standard Pack Size
52004280	PG-9	.236 - 0.335	.67/.67	1.181	.236	0.945	50
52004290	PG-11	.315 - 0.472	.79/.83	1.181	.236	1.063	50
52004300	PG-13	.472 - 0.551	.87/.87	1.339	.256	1.181	25
52004310	PG-16	.512 - 0.630	.94/.94	1.378	.256	1.299	25
52004320	PG-21	.591 - 0.827	1.18/1.18	1.614	.276	1.654	25
52005570	PG-29	.787 - 1.083	1.57/1.61	1.811	.315	2.283	10

### SKINDICHT® SKZ-M: Compact Strain Relief Cable Gland with Metric Threads

Part Number	Thread Type & Size	Inner Thread	Clamping Range øF inches	SW 1/2 Wrenching Flats inches	C Overall Length inches	D Thread Length inches	Max. Installation Diameter inches	Standard Pack Size
52106800	M-16X1.5	PG-9	.197 - 0.315	.71/.67	1.142	.197	0.945	50
52106810	M-20X1.5	PG-11	.276 - 0.472	.87/.79	1.181	.236	1.063	50
52106820	M-20X1.5	PG-13	.433 - 0.512	.87/.87	1.319	.236	1.181	25
52106830	M-20X1.5	PG-16	.512 - 0.591	.94/.94	1.358	.236	1.299	25
52106840	M-25X1.5	PG-21	.630 - 0.760	1.18/1.18	1.614	.276	1.654	25
52106850	M-32X1.5	PG-29	.748 - 1.063	1.57/1.61	1.811	.315	2.283	10

# SKINDICHT® SHV

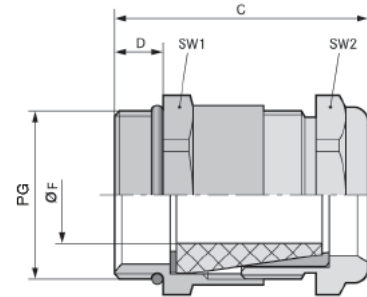


Metallic Strain Relief Cable Gland in PG Threads with Sealing Capability up to 300 Ft. (10 Bar)

The SKINDICHT® SHV cable gland is a metallic strain relief cable gland with a special tapered seal designed to provide liquid tight sealing down to 300 feet (10 Bar) of water pressure. An o-ring is included on the mounting thread to provide additional sealing.

### Application Advantage:

- Excellent compression strength and strain relief
- Ideal for underwater applications where water pressure tight protection is required



### Technical Data:



Materials:  
 Body: Nickel-Plated Brass  
 Sealing Cone: Neoprene (CR)  
 O-ring: Perbunan (NBR)



Temperature: -20°C to +80°C



Seal: IP 68, 10 Bar

Locknuts: Add SM Locknuts, see Page 522

### SKINDICHT® SHV: PG Metallic Strain Relief

Part Number	Thread Type & Size	Inner Thread	Clamping Range øF inches	SW 1/2 Wrenching Flats inches	C Overall Length inches	D Thread Length inches	Standard Pack Size
52002530	PG-7	PG-5	.150 - 0.189	.551	1.024	.197	50
52002550	PG-9	PG-6	.189 - 0.228	.669	1.122	.236	50
52002540	PG-9	PG-7	.228 - 0.268	.669	1.122	.236	50
52002570	PG-11	PG-7	.228 - 0.268	.787	1.220	.236	25
52002560	PG-11	PG-9	.268 - 0.346	.787	1.220	.236	25
52010650	PG-9	PG-9	.256 - 0.346	.866	1.299	.256	25
52010660	PG-9	PG-11	.335 - 0.425	.866	1.299	.256	25
52010670	PG-11	PG-9	.268 - 0.346	.866	1.299	.256	25
52010680	PG-11	PG-11	.335 - 0.425	.866	1.299	.256	25
52002600	PG-13	PG-9	.268 - 0.346	.866	1.299	.256	25
52002590	PG-13	PG-11	.335 - 0.425	.866	1.299	.256	25
52010690	PG-11	PG-11	.335 - 0.425	.945	1.378	.256	25
52010700	PG-11	PG-13	.425 - 0.504	.945	1.378	.256	25
52010710	PG-11	PG-15	.543 - 0.583	.945	1.378	.256	25
52010720	PG-13	PG-11	.335 - 0.425	.945	1.378	.256	25
52010730	PG-13	PG-13	.425 - 0.504	.945	1.378	.256	25
52010740	PG-13	PG-15	.543 - 0.583	.945	1.378	.256	25
52002640	PG-16	PG-11	.335 - 0.425	.945	1.378	.256	25
52002630	PG-16	PG-13	.425 - 0.504	.945	1.378	.256	25
52002620	PG-16	PG-15	.543 - 0.583	.945	1.378	.256	25
52010750	PG-16	PG-16	.524 - 0.614	1.181	1.575	.276	25
52010760	PG-16	PG-18	.622 - 0.701	1.181	1.496	.276	25
52010770	PG-16	PG-20	.689 - 0.780	1.181	1.496	.276	25
52002670	PG-21	PG-16	.583 - 0.622	1.181	1.496	.276	25
52002660	PG-21	PG-18	.622 - 0.701	1.181	1.496	.276	25
52002650	PG-21	PG-20	.689 - 0.780	1.181	1.496	.276	25
52002710	PG-29	PG-22	.768 - 0.858	1.575	1.752	.315	10
52002700	PG-29	PG-24	.858 - 0.937	1.575	1.752	.315	10
52002690	PG-29	PG-26	.937 - 1.016	1.575	1.752	.315	10

# SKINDICHT® SHV-M

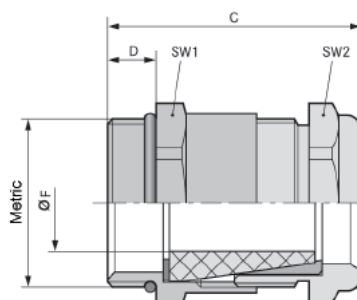


## Metallic Strain Relief Cable Gland in Metric Threads with Sealing Capability to 300 Ft. (10 Bar)

The SKINDICHT® SHV-M cable gland is a metallic strain relief cable gland with a special tapered seal designed to provide liquid tight sealing down to 300 feet (10 Bar) of water pressure. An o-ring is included on the mounting thread to provide additional sealing.

### Application Advantage:

- Excellent compression strength and strain relief
- Ideal for underwater applications where water pressure tight protection is required



### Technical Data:



Materials:  
 Body: Nickel-Plated Brass  
 Cone Seal: CR/NBR  
 O-ring: Perbunan (NBR)



Temperature: -20° C to +80° C



Seal: IP 68, 10 Bar

Locknuts: Add SM Locknuts, see Page 522

### SKINDICHT® SHV-M: Metric Metallic Cable Gland

Part Number	Thread Type & Size	Inner Thread	Clear Opening Seal	Clamping Range of F inches	Wrenching Flats inches		C Overall Length inches	D Thread Length inches	Standard Pack Size
					SW 1	SW 2			
52105270	M-12X1.5	PG-7	.197	.118 - .189	.551	.551	1.024	.197	50
52105280	M-16X1.5	PG-9	.236	.177 - .228	.709	.669	1.043	.197	50
52105290	M-16X1.5	PG-9	.276	.177 - .268	.709	.669	1.043	.197	50
52105300	M-20X1.5	PG-11	.276	.236 - .268	.866	.787	1.220	.236	25
52105310	M-20X1.5	PG-11	.354	.256 - .346	.866	.787	1.220	.236	25
52105320	M-20X1.5	PG-13	.354	.256 - .346	.866	.866	1.280	.236	25
52105330	M-20X1.5	PG-13	.433	.354 - .425	.866	.866	1.280	.236	25
52105340	M-20X1.5	PG-16	.433	.354 - .425	.945	.945	1.358	.236	25
52105350	M-20X1.5	PG-16	.512	.374 - .504	.945	.945	1.358	.236	25
52105360	M-20X1.5	PG-16	.591	.512 - .583	.945	.945	1.358	.236	25
52105370	M-25X1.5	PG-21	.630	.531 - .622	1.181	1.181	1.516	.276	25
52105380	M-25X1.5	PG-21	.709	.591 - .701	1.181	1.181	1.516	.276	25
52105390	M-25X1.5	PG-21	.787	.689 - .780	1.181	1.181	1.516	.276	25
52105400	M-32X1.5	PG-29	.866	.689 - .858	1.575	1.575	1.673	.315	10
52105410	M-32X1.5	PG-29	.945	.748 - .937	1.575	1.575	1.673	.315	10
52105420	M-32X1.5	PG-29	1.024	.906 - 1.016	1.575	1.575	1.673	.315	10

# SKINDICHT® SHVE

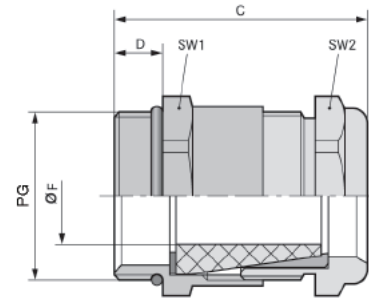


Compact EMC Strain Relief Cable Gland with PG & Metric Threads for use with Copper (CY) and Steel Shielded (SY) Cables

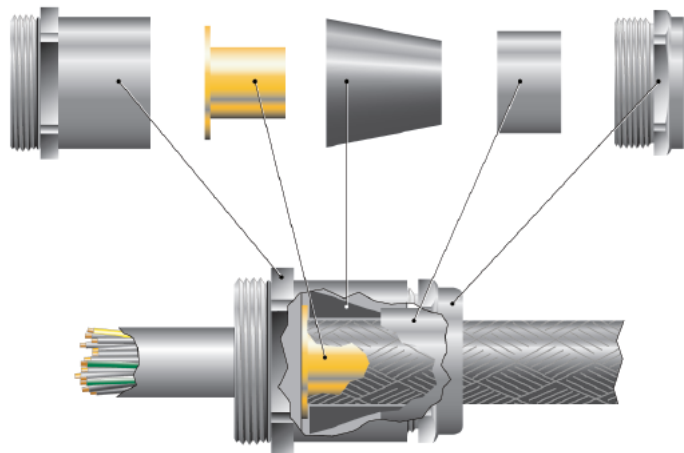
The SKINDICHT® SHVE series cable clamp is a compact strain relief cable gland with a cylindrical grounding sleeve designed to provide maximum EMC protection.

**Application Advantage:**

- Provides excellent EMC protection
- The inner sealing cone prevents the entry of dust, moisture and oil



Fitting      Earthing Sleeve      Sealing Cone      Brass Cone      Compression Screw



**Technical Data:**

<b>Materials:</b> Body: Nickel-Plated Brass Earthing Sleeve: Polished Brass Sealing Taper: CR O-Ring: Perbunan (NBR)	<b>Temperature:</b> -20°C to +80°C
	<b>Locknuts:</b> Add SM Locknuts, see Page 522

# SKINDICHT® SHVE



Compact EMC Strain Relief Cable Gland in PG & Metric sizes  
for use with Copper (CY) and Steel Shielded (SY) Cables

## SKINDICHT® SHVE: PG Metallic Cable Clamp

Part Number	Thread Type & Size	Inner Thread	Bushing ID inches	Grounding ID inches	Inner Jacket Diameter inches	Outer Jacket Diameter inches	SW Wrenching Flats inches	C Max Overall Length inches	D Thread Length inches	Standard Pack Size
52010400	PG-9	PG-9	.236	.126	.087 - .126	.157 - .228	0.67	1.122	.236	25
52010405	PG-9	PG-9	.276	.126	.087 - .126	.197 - .268	0.67	1.122	.236	25
52010415	PG-9	PG-9	.236	.142	.102 - .142	.157 - .228	0.67	1.122	.236	25
52010420	PG-9	PG-9	.276	.142	.102 - .142	.197 - .268	0.67	1.122	.236	25
52010440	PG-11	PG-11	.276	.177	.138 - .177	.197 - .268	0.79	1.220	.236	25
52010450	PG-11	PG-11	.354	.177	.138 - .177	.268 - .346	0.79	1.220	.236	25
52010460	PG-13	PG-9	.354	.197	.138 - .197	.268 - .346	0.87	1.280	.217	25
52010490	PG-13	PG-11	.354	.197	.138 - .197	.268 - .346	0.87	1.280	.217	25
52005070	PG-13	PG-13	.354	.197	.138 - .197	.268 - .346	0.87	1.457	.236	25
52010470	PG-13	PG-9	.354	.236	.177 - .236	.268 - .346	0.87	1.280	.217	25
52010500	PG-13	PG-11	.354	.236	.177 - .236	.268 - .346	0.87	1.280	.217	25
52005080	PG-13	PG-13	.354	.236	.177 - .236	.268 - .346	0.87	1.457	.236	25
52010480	PG-13	PG-9	.433	.276	.217 - .276	.335 - .425	0.87	1.280	.217	25
52010510	PG-13	PG-11	.433	.276	.217 - .276	.335 - .425	0.87	1.280	.217	25
52005090	PG-13	PG-13	.433	.276	.217 - .276	.335 - .425	0.87	1.457	.236	25
52010520	PG-16	PG-11	.433	.315	.236 - .315	.335 - .425	0.94	1.378	.217	25
52010560	PG-16	PG-13	.433	.315	.236 - .315	.335 - .425	0.94	1.398	.236	25
52005100	PG-16	PG-16	.433	.315	.236 - .315	.335 - .425	0.94	1.476	.236	25
52010530	PG-16	PG-11	.512	.354	.276 - .354	.425 - .504	0.94	1.378	.217	25
52010570	PG-16	PG-13	.512	.354	.276 - .354	.425 - .504	0.94	1.398	.236	25
52005110	PG-16	PG-16	.512	.354	.276 - .354	.425 - .504	0.94	1.476	.236	25
52010540	PG-16	PG-11	.512	.394	.315 - .394	.425 - .504	0.94	1.378	.217	25
52010580	PG-16	PG-13	.512	.394	.315 - .394	.425 - .504	0.94	1.398	.236	25
52005120	PG-16	PG-16	.512	.394	.315 - .394	.425 - .504	0.94	1.476	.236	25
52010550	PG-16	PG-11	.591	.433	.354 - .433	.472 - .583	0.94	1.378	.217	25
52010590	PG-16	PG-13	.591	.433	.354 - .433	.472 - .583	0.94	1.398	.236	25
52005130	PG-16	PG-16	.591	.433	.354 - .433	.472 - .583	0.94	1.476	.236	25
52010600	PG-21	PG-16	.630	.472	.394 - .472	.551 - .622	1.18	1.516	.256	25
52005140	PG-21	PG-21	.630	.472	.394 - .472	.551 - .622	1.18	1.713	.276	25
52010610	PG-21	PG-16	.630	.512	.433 - .512	.551 - .622	1.18	1.516	.256	25
52005150	PG-21	PG-21	.630	.512	.433 - .512	.551 - .622	1.18	1.713	.276	25
52010620	PG-21	PG-16	.709	.551	.472 - .551	.622 - .701	1.18	1.516	.256	25
52005160	PG-21	PG-21	.709	.551	.472 - .551	.622 - .701	1.18	1.713	.276	25
52010630	PG-21	PG-16	.709	.591	.512 - .591	.622 - .701	1.18	1.516	.256	25
52005170	PG-21	PG-21	.709	.591	.512 - .591	.622 - .701	1.18	1.713	.276	25
52010640	PG-21	PG-16	.787	.630	.551 - .630	.689 - .780	1.18	1.516	.256	25
52005180	PG-21	PG-21	.787	.630	.551 - .630	.689 - .780	1.18	1.713	.276	25
52005190	PG-29	PG-29	.866	.669	.591 - .669	.768 - .858	1.57	1.870	.315	10
52005200	PG-29	PG-29	.866	.709	.630 - .709	.768 - .858	1.57	1.870	.315	10
52005210	PG-29	PG-29	.945	.748	.669 - .748	.846 - .937	1.57	1.870	.315	10
52005240	PG-29	PG-29	1.024	.748	.669 - .748	.925 - 1.016	1.57	1.870	.315	10

## SKINDICHT® SHVE-M: Metric Metallic Cable Clamp

Part Number	Thread Type & Size x 1.5	Inner Thread	Clear Opening Seal inches	Clear Opening øB inches	Inner Jacket Diameter inches	Outer Jacket Diameter inches	Wrenching Flats inches		C Max Overall Length inches	D Thread Length inches	Standard Pack Size
							SW 1	SW 2			
52106860	M-16	PG-9	0.24	.13	.087 - .122	.177 - 0.228	0.71	0.67	1.043	.197	25
52106870	M-16	PG-9	0.28	.13	.087 - .127	.177 - 0.268	0.71	0.67	1.043	.197	25
52106880	M-16	PG-9	0.24	.14	.102 - .125	.217 - 0.228	0.71	0.67	1.043	.197	25
52106890	M-16	PG-9	0.28	.14	.102 - .144	.217 - 0.268	0.71	0.67	1.043	.197	25
52106910	M-20	PG-11	0.28	.18	.138 - .178	.118 - 0.268	0.87	0.79	1.220	.236	25
52106920	M-20	PG-11	0.35	.18	.138 - .175	.236 - 0.346	0.87	0.79	1.220	.236	25
52106930	M-20	PG-13	0.35	.20	.138 - .197	.256 - 0.346	0.87	0.87	1.260	.236	25
52106940	M-20	PG-13	0.35	.24	.177 - .234	.236 - 0.346	0.87	0.87	1.260	.236	25
52106950	M-20	PG-13	0.43	.28	.217 - .272	.315 - 0.425	0.87	0.94	1.260	.236	25
52106960	M-20	PG-16	0.43	.31	.236 - .312	.335 - 0.425	0.94	0.94	1.358	.236	25
52106970	M-20	PG-16	0.51	.35	.276 - .354	.394 - 0.504	0.94	0.94	1.358	.236	25
52106980	M-20	PG-16	0.51	.39	.315 - .394	.394 - 0.504	0.94	0.94	1.358	.236	25
52106990	M-20	PG-16	0.59	.43	.354 - .434	.492 - 0.583	0.94	0.94	1.358	.236	25
52107000	M-25	PG-21	0.63	.47	.394 - .478	.512 - 0.622	1.18	1.18	1.535	.276	25
52107010	M-25	PG-21	0.63	.51	.433 - .512	.512 - 0.622	1.18	1.18	1.535	.276	25
52107020	M-25	PG-21	0.71	.55	.472 - .551	.610 - 0.701	1.18	1.18	1.535	.276	25
52107030	M-25	PG-21	0.71	.59	.512 - .591	.591 - 0.701	1.18	1.18	1.535	.276	25
52107040	M-25	PG-21	0.79	.63	.551 - .630	.689 - 0.780	1.18	1.18	1.535	.276	25
52107050	M-32	PG-29	0.87	.67	.591 - .670	.748 - 0.858	1.57	1.57	1.791	.315	10
52107060	M-32	PG-29	0.87	.71	.630 - .709	.709 - 0.937	1.57	1.57	1.791	.315	10
52107070	M-32	PG-29	0.94	.75	.669 - .748	.787 - 0.937	1.57	1.57	1.791	.315	10
52107080	M-32	PG-29	1.02	.75	.669 - .748	.906 - 1.016	1.57	1.57	1.791	.315	10

# SKINDICHT® SR Series Cable Clamp

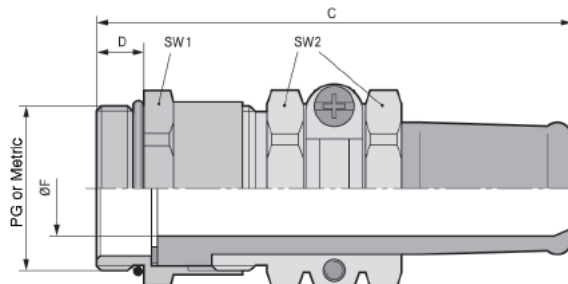
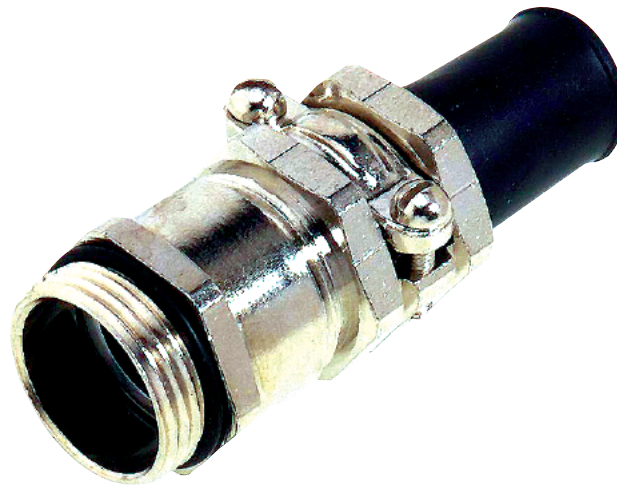


Compact Strain Relief Cable Gland with PG & Metric Threads with Single Saddle Clamp and Special Neoprene Bushing

The SKINDICHT® SR Series cable clamp is a compact, strain relief cable gland constructed of corrosion resistant nickel-plated brass. Strain relief is achieved by use of specially formed nickel-plated brass saddle clamps and a full length Neoprene bushing that protects the cable from over-stress and conductor breakage while providing an effective and durable seal.

#### Application Advantage:

- The neoprene bushing provides both a seal and high bend protection
- Strain relief is achieved through the specially formed saddle clamps



## Technical Data:



Materials:

Body: Nickel-Plated Brass  
Saddle Clamp: Nickel-Plated Brass  
Screws & Bracket: Nickel-Plated Brass  
O-Ring: Perbunan (NBR)



Temperature:

-20° C to +80° C



Seal:

IP 65

Locknuts:

Add SM Locknuts, see Page 522

Antikink Protection:

PG: CR  
Metric: CR/NBR



# SKINDICHT® SR Series Cable Clamp



Compact Strain Relief Cable Gland with PG & Metric Threads  
with Single Saddle Clamp and Special Neoprene Bushing

## SKINDICHT® SR: PG Metallic Cable Clamp

Part Number	Thread Type & Size	Inner Thread	Clamping Range øF inches	Wrenching Flats inches		C Overall Length inches	D Thread Length inches	Max. Installation Diameter inches	Standard Pack Size
				SW 1	SW 2				
52000990	PG-7	PG-5	0.138 - 0.197	0.55	0.59	1.968	.197	0.91	50
52001000	PG-9	PG-7	0.217 - 0.276	0.67	0.67	2.039	.236	0.98	50
52001010	PG-11	PG-7	0.217 - 0.276	0.79	0.79	2.165	.236	1.10	25
52001020	PG-11	PG-9	0.295 - 0.354	0.79	0.79	2.165	.236	1.10	25
52001030	PG-13	PG-9	0.295 - 0.354	0.87	0.87	2.362	.256	1.26	25
52001040	PG-13	PG-11	0.354 - 0.433	0.87	0.87	2.362	.256	1.26	25
52001050	PG-13	PG-13	0.433 - 0.512	0.87	0.87	2.362	.256	1.26	25
52001060	PG-16	PG-13	0.453 - 0.512	0.94	0.94	2.559	.256	1.38	25
52001070	PG-16	PG-15	0.512 - 0.591	0.94	0.94	2.559	.256	1.38	25
52001080	PG-21	PG-15	0.531 - 0.591	1.18	1.18	3.071	.276	1.81	25
52001090	PG-21	PG-17	0.591 - 0.669	1.18	1.18	3.071	.276	1.81	25
52001100	PG-21	PG-19	0.669 - 0.748	1.18	1.18	3.071	.276	1.81	25
52001110	PG-21	PG-20	0.709 - 0.787	1.18	1.18	3.071	.276	1.81	25
52001120	PG-29	PG-20	0.709 - 0.787	1.57	1.61	3.543	.315	2.32	10
52001130	PG-29	PG-23	0.827 - 0.906	1.57	1.61	3.543	.315	2.32	10
52001140	PG-29	PG-25	0.906 - 0.984	1.57	1.61	3.543	.315	2.32	10
52001150	PG-36	PG-26	0.906 - 1.024	1.97	1.97	4.291	.354	2.76	5
52001160	PG-36	PG-30	1.063 - 1.181	1.97	1.97	4.291	.354	2.76	5
52001170	PG-36	PG-33	1.181 - 1.299	1.97	1.97	4.291	.354	2.76	5
52001180	PG-36	PG-35	1.260 - 1.378	2.24	1.97	4.291	.354	2.76	5
52001190	PG-42	PG-35	1.260 - 1.378	2.24	2.24	4.448	.394	2.95	5
52001200	PG-42	PG-38	1.378 - 1.496	2.24	2.24	4.448	.394	2.95	5
52001210	PG-42	PG-40	1.417 - 1.575	2.24	2.24	4.448	.394	2.95	5
52001220	PG-48	PG-40	1.417 - 1.575	2.52	2.52	4.645	.394	3.27	1
52001230	PG-48	PG-44	1.575 - 1.732	2.52	2.52	4.645	.394	3.27	1

## SKINDICHT® SR-M: Metric Metallic Cable Clamp

Part Number	Thread Type & Size x 1.5	Inner Thread	Clear Opening Seal	Clamping Range øF inches	Wrenching Flats inches		C Overall Length inches	D Thread Length inches	Max. Installation Diameter inches	Standard Pack Size
					SW 1	SW 2				
52106410	M-12	PG-7	0.20	0.157 - 0.197	0.55	0.59	1.929	.197	0.91	50
52106420	M-16	PG-9	0.28	0.217 - 0.276	0.71	0.67	1.969	.197	0.98	50
52106430	M-20	PG-11	0.28	0.217 - 0.276	0.87	0.79	2.165	.236	1.10	25
52106440	M-20	PG-11	0.35	0.295 - 0.354	0.87	0.79	2.165	.236	1.10	25
52106450	M-20	PG-13	0.35	0.295 - 0.354	0.87	0.87	2.362	.236	1.26	25
52106460	M-20	PG-13	0.43	0.354 - 0.433	0.87	0.87	2.362	.236	1.26	25
52106470	M-20	PG-13	0.51	0.433 - 0.512	0.87	0.87	2.362	.236	1.26	25
52106480	M-20	PG-16	0.51	0.472 - 0.512	0.94	0.94	2.559	.236	1.38	25
52106481	M-20	PG-16	0.59	0.512 - 0.591	0.94	0.94	2.598	.236	1.38	25
52106490	M-25	PG-21	0.59	0.492 - 0.591	1.18	1.18	3.091	.276	1.81	25
52106500	M-25	PG-21	0.67	0.551 - 0.669	1.18	1.18	3.091	.276	1.81	25
52106510	M-25	PG-21	0.75	0.669 - 0.748	1.18	1.18	3.091	.276	1.81	25
52106520	M-25	PG-21	0.79	0.669 - 0.787	1.18	1.18	3.091	.276	1.81	25
52106530	M-32	PG-29	0.79	0.748 - 0.787	1.57	1.61	3.563	.315	2.32	10
52106540	M-32	PG-29	0.91	0.866 - 0.906	1.57	1.61	3.563	.315	2.32	10
52106550	M-32	PG-29	0.98	0.906 - 0.984	1.57	1.61	3.563	.315	2.32	10
52106560	M-40	PG-36	1.02	0.945 - 1.024	1.97	1.97	4.252	.315	2.76	5
52106570	M-40	PG-36	1.18	1.102 - 1.181	1.97	1.97	4.252	.315	2.76	5
52106580	M-40	PG-36	1.30	1.220 - 1.299	1.97	1.97	4.252	.315	2.76	5
52106590	M-40	PG-36	1.38	1.299 - 1.358	1.97	1.97	4.252	.315	2.76	5
52106600	M-50	PG-42	1.38	1.220 - 1.358	2.24	2.24	4.370	.354	2.95	5
52106610	M-50	PG-42	1.50	1.260 - 1.496	2.24	2.24	4.370	.354	2.95	5
52106620	M-50	PG-42	1.57	1.457 - 1.575	2.24	2.24	4.370	.354	2.95	5
52106630	M-63	PG-48	1.57	1.260 - 1.575	2.60	2.52	4.646	.394	3.27	1
52106640	M-63	PG-48	1.73	1.417 - 1.732	2.60	2.52	4.646	.394	3.27	1

# SKINDICHT® RWV Cable Gland

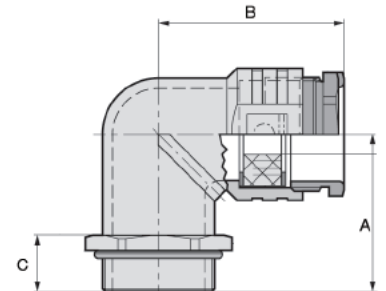
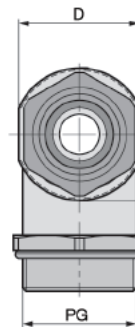


Metallic 90° Elbow Cable Gland with PG Threads


The SKINDICHT® RWV metallic cable gland is a compact, 90° elbow design, constructed of corrosive resistant, nickel-plated die-cast zinc, with an internal neoprene seal. The SKINDICHT® RWV elbow cable gland can also be used in conjunction with any SKINTOP® PG metallic fittings shown in the catalog to achieve desired connections.

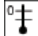
### Application Advantage:

- Compact, durable, 90° strain relief
- Ideal for applications where space is an issue and cables must run parallel to the housing unit



### Technical Data:

 **Materials:**  
 Body: Nickel-Plated Die Cast Zinc  
 Pressure Screw: Nickel-Plated Brass  
 Nut: Nickel-Plated Brass  
 Bushing: Neoprene

 **Temperature:** -20°C to +80°C

 **Seal:** IP 55

**Locknuts:** Add SM Locknuts, see Page 522

### SKINDICHT® RWV Cable Gland: Metallic 90° Elbow Cable with PG Threads

Part Number	Thread Type & Size	Diameter Range		A		B		C		D		Standard Pack Size
		inches	mm	inches	mm	inches	mm	inches	mm	inches	mm	
52004180	PG-7	.197 - 0.315	5 - 8	0.807	20.5	1.024	26.0	.335	8.5	.551	14	25
52004190	PG-9	.197 - 0.315	5 - 8	0.925	23.5	1.102	28.0	.374	9.5	.669	17	25
52004200	PG-11	.276 - 0.492	7 - 13	1.024	26.0	1.240	31.5	.394	10.0	.787	20	25
52004210	PG-13	.276 - 0.630	7 - 16	1.122	28.5	1.358	34.5	.413	10.5	.866	22	25
52004220	PG-16	.315 - 0.630	8 - 16	1.220	31.0	1.398	35.5	.433	11.0	.945	24	10
52005420	PG-21	.433 - 0.787	11 - 20	1.319	33.5	1.673	42.5	.453	11.5	1.181	30	10
52004225	PG-29	.748 - 1.220	19 - 31	1.693	43.0	2.323	59.0	.512	13.0	1.575	40	10

# SKINDICHT® SM LOCK NUTS



Metal Lock Nuts for NPT, PG and Metric Threaded Products

SKINDICHT® SM Lock Nuts are required wherever NPT, PG or Metric cable glands must be fastened to a housing, and tapped holes cannot be provided.

## NPT Version



## PG & Metric Versions



### Technical Data:



Materials:

NPT:

Stamped Steel

PG & Metric:

Nickel-Plated Brass

## NPT Zinc-Plated Steel Locknuts

Part Number	Thread Type & Size	Wrenching Flats inches	Nut Thickness inches	Standard Pack Size
811092*	NPT- 3/8"	0.945	.138	100
811093	NPT- 1/2"	1.102	.157	100
811094	NPT- 3/4"	1.378	.157	50
811095	NPT- 1"	1.693	.157	50

\* Product features a hex design.

## SKINDICHT® SM: PG Brass Lock Nuts

Part Number	Thread Type & Size	Wrenching Flats		Nut Thickness		Standard Pack Size
		inches	mm	inches	mm	
52003490	PG-7	0.591	15	.110	2.8	100
52003500	PG-9	0.709	18	.110	2.8	100
52003510	PG-11	0.827	21	.118	3.0	100
52003520	PG-13	0.906	23	.118	3.0	100
52003530	PG-16	1.024	26	.118	3.0	100
52003540	PG-21	1.260	32	.138	3.5	50
52003550	PG-29	1.614	41	.157	4.0	50
52003560	PG-36	2.008	51	.197	5.0	25
52003570	PG-42	2.362	60	.197	5.0	25
52003580	PG-48	2.520	64	.217	5.5	25

## SKINDICHT® SM-M: Metric Brass Lock Nuts

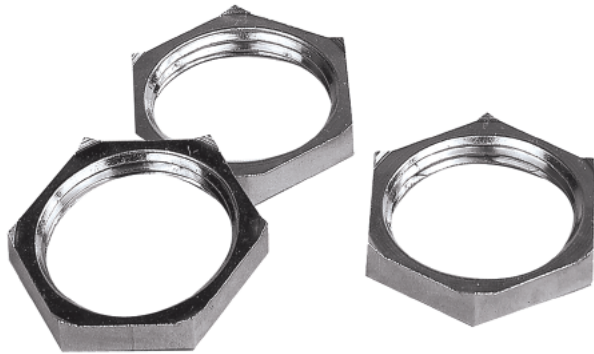
Part Number	Thread Type & Size	Wrenching Flats		Nut Thickness		Standard Pack Size
		inches	mm	inches	mm	
52103000	M-12X1.5	0.591	15	0.118	3.0	100
52103010	M-16X1.5	0.748	19	0.118	3.0	100
52103020	M-20X1.5	0.945	24	0.138	3.5	100
52103030	M-25X1.5	1.181	30	0.157	4.0	100
52103040	M-32X1.5	1.417	36	0.157	4.0	100
52103050	M-40X1.5	1.811	46	0.197	5.0	50
52103060	M-50X1.5	2.362	60	0.197	5.0	50
52103070	M-63X1.5	2.756	70	0.197	5.0	25
52103071	M-75X1.5	2.953	75	0.315	8.0	5
52103072	M-90X2.0	4.016	102	0.394	10.0	1
52103073	M-110X2.0	4.882	124	0.472	12.0	1

# SKINDICHT® SM-PE LOCK NUTS



Brass Grounding Lock Nuts for PG and Metric Threaded Products

SKINDICHT® SM-PE Lock Nuts are required wherever varnished, anodized and powder coated housings are used. When the lock nut is tightened, the raised edges cut through the insulating layer, guaranteeing optimum contact. Ideal for use with MS-SC cable grounding cable glands.



## Technical Data:

 Materials: Nickel-Plated Brass

## SKINDICHT® SM-PE: PG Brass Lock Nuts

Part Number	Thread Type & Size	Wrenching Flats		Nut Thickness		Standard Pack Size
		inches	mm	inches	mm	
52103200	PG-7	0.590	15	.185	4.7	100
52103210	PG-9	0.709	18	.185	4.7	100
52103220	PG-11	0.827	21	.185	4.7	100
52103230	PG-13	0.906	23	.185	4.7	100
52103240	PG-16	1.024	26	.185	4.7	100
52103250	PG-21	1.260	32	.205	5.2	50
52103260	PG-29	1.614	41	.224	5.7	50
52103270	PG-36	2.008	51	.264	6.7	50

## SKINDICHT® SM-PE-M: Metric Brass Lock Nuts

Part Number	Thread Type & Size	Wrenching Flats		Nut Thickness		Standard Pack Size
		inches	mm	inches	mm	
52103300	M-12X1.5	0.591	15	0.138	3.5	100
52103310	M-16X1.5	0.748	19	0.138	3.5	100
52103320	M-20X1.5	0.945	24	0.146	3.7	100
52103330	M-25X1.5	1.181	30	0.165	4.2	50
52103340	M-32X1.5	1.417	36	0.185	4.7	50
52103350	M-40X1.5	1.811	46	0.217	5.5	25
52103360	M-50X1.5	2.362	60	0.217	5.5	10
52103370	M-63X1.5	2.756	70	0.276	7.0	10
52103371	M-75X1.5	2.953	75	0.315	8.0	5
52103372	M-90X2.0	4.016	102	0.394	10.0	1
52103373	M-110X2.0	4.882	124	0.472	12.0	1

# SKINTOP® DIX BUSHINGS



Multiple Cable Sealing Bushing for PG & NPT SKINTOP® Cable Glands

SKINTOP® DIX is a multiple hole sealing bushing designed to allow several cables to be inserted through one cable gland. This results in a reduction of space and cost, as a separate cable gland is not required for each cable.



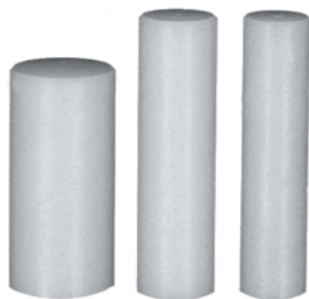
## Technical Data:

RAL Color:	Natural
Materials:	Silicone
Temperature:	-30°C to +100°C
Seal:	IP 54 IP 68 when all holes are optimally filled.

Part Number	Thread Type & Size	Thread Type & Size	# of Holes	Size of Holes		Standard Pack Size
				inches	mm	
53607225	PG-7	-	2	.098	2.5	100
53607417	PG-7	-	4	.067	1.7	100
53609230	PG-9	NPT-3/8"	2	.118	3.0	100
53611225	PG-11	-	2	.098	2.5	100
53611240	PG-11	-	2	.157	4.0	100
53611330	PG-11	-	3	.118	3.0	100
53611430	PG-11	-	4	.118	3.0	100
53613250	PG-13	NPT-1/2"	2	.197	5.0	100
53613340	PG-13	NPT-1/2"	3	.157	4.0	100
53613440	PG-13	NPT-1/2"	4	.157	4.0	100
53616140	PG-16	-	1	.157	4.0	50
53616225	PG-16	-	2	.098	2.5	50
53616240	PG-16	-	2	.157	4.0	50
53616260	PG-16	-	2	.236	6.0	50
53616340	PG-16	-	3	.157	4.0	50
53616350	PG-16	-	3	.197	5.0	50
53616356	PG-16	-	3	.220	5.6	50
53616360	PG-16	-	3	.236	6.0	50
53616440	PG-16	-	4	.157	4.0	50
53616450	PG-16	-	4	.197	5.0	50
53616540	PG-16	NPT-3/4"	5	.157	4.0	50
53621270	PG-21	NPT-3/4"	2	.276	7.0	50
53621280	PG-21	NPT-3/4"	2	.315	8.0	50
53621370	PG-21	NPT-3/4"	3	.276	7.0	50
53621380	PG-21	NPT-3/4"	3	.315	8.0	50
53621460	PG-21	NPT-3/4"	4	.236	6.0	50
53621550	PG-21	NPT-3/4"	5	.197	5.0	50
53621640	PG-21	NPT-1"	6	.157	4.0	50
53629290	PG-29	NPT-1"	2	.354	9.0	50
53629390	PG-29	NPT-1"	3	.354	9.0	50
53629470	PG-29	NPT-1"	4	.276	7.0	50
53629480	PG-29	NPT-1"	4	.315	8.0	50
53629490	PG-29	NPT-1"	4	.354	9.0	50
53629556	PG-29	NPT-1"	5	.220	5.6	50
53629570	PG-29	NPT-1"	5	.276	7.0	50
53629675	PG-29	-	6	.295	7.5	50

# SKINTOP® DIX-DV INSERTS

Inserts for SKINTOP® DIX NPT, PG & Metric



SKINTOP® DIX-DV inserts are designed to seal unused positions in SKINTOP® DIX bushings, which need to be closed to ensure the proper class protection.

## Technical Data:

Materials:	Polyamide
------------	-----------

Part Number	Diameter		Length		Standard Pack Size
	inches	mm	inches	mm	
53100003	.118	3.0	.354	9	100
53100004	.157	4.0	.354	9	100
53100005	.197	5.0	.433	11	100
53100006	.236	6.0	.551	14	100
53100007	.276	7.0	.551	14	100
53100008	.315	8.0	.551	14	100
53100009	.354	9.0	.551	14	100

# SKINTOP® DIX-M BUSHINGS






## Multiple Cable Sealing Bushing for Metric SKINTOP® Cable Glands

SKINTOP® DIX is a multiple hole sealing bushing designed to allow several cables to be inserted through one cable gland. This results in a reduction of space and cost, as a separate cable gland is not required for each cable.



### Technical Data:

-  Materials: NBR (Rubber)
-  Temperature: -40°C to +100°C
-  Seal: IP 54  
IP 68 when all holes are optimally filled.

Special shapes available on request. Consult factory for details

Part Number	Thread Type & Size	# of Holes	Size of Holes		Standard Pack Size
			inches	mm	
53316220	M-16	2	.079	2.0	100
53316230	M-16	2	.118	3.0	100
53316240	M-16	2	.157	4.0	100
53320250	M-20	2	.197	5.0	100
53320260	M-20	2	.236	6.0	100
53320340	M-20	3	.157	4.0	100
53320353	M-20	3	.209	5.3	100
53320440	M-20	4	.157	4.0	100
53320920	M-20	9	.079	2.0	100
53320430	M-20	4	.118	3.0	100
53325260	M-25	2	.236	6.0	50
53325350	M-25	3	.197	5.0	50
53325360	M-25	3	.236	6.0	50
53325370	M-25	3	.276	7.0	50
53325450	M-25	4	.197	5.0	50
53325540	M-25	5	.157	4.0	50
53325640	M-25	6	.157	4.0	50
53332270	M-32	2	.276	7.0	50
53332280	M-32	2	.315	8.0	50
53332290	M-32	2	.354	9.0	50
53332370	M-32	3	.276	7.0	50
53332380	M-32	3	.315	8.0	50
53332460	M-32	4	.236	6.0	50
53332470	M-32	4	.276	7.0	50
53332560	M-32	5	.236	6.0	50
53332650	M-32	6	.197	5.0	50
53332840	M-32	8	.157	4.0	50
53332850	M-32	8	.197	5.0	50
53332940	M-32	9	.157	4.0	50
53340290	M-40	2	.354	9.0	25
53340310	M-40	3	.394	10.0	25
53340480	M-40	4	.315	8.0	25
53340490	M-40	4	.354	9.0	25
53340580	M-40	5	.315	8.0	25
53340590	M-40	5	.354	9.0	25
53340670	M-40	6	.276	7.0	25
53340860	M-40	8	.236	6.0	25
53340969	M-40	9	.272	6.9	25
53350680	M-50	6	.315	8.0	10
53350780	M-50	7	.315	8.0	10
53350870	M-50	8	.276	7.0	10
53350164	M-50	16	.157	4.0	10
53350166	M-50	16	.236	6.0	10

# SKINTOP® SD/ DV



## Dust-Proof, Moisture-Proof Plugs for PG, NPT & Metric SKINTOP® Cable Glands

SKINTOP® SD is designed for use when a SKINTOP® cable gland is installed without a cable. The plugs prevent dust and dirt from entering the housing interior until final cable installation is completed. They provide easy handling and SKINTOP® disassembly is not required. Simply push the cable through and the assembly is complete.

SKINTOP® DV is designed for use when a SKINTOP® cable gland is installed without a cable. They prevent dust, dirt and moisture from entering the housing interior until final cable installation is completed.



SKINTOP® SD

### Technical Data:



Materials:

SD: PE Foam

DV: CR



SKINTOP® DV

### SKINTOP® SD: PG & NPT Dust-Proof Plugs

Part Number	Thread Type & Size	Thread Type & Size	Diameter		Thickness		Standard Pack Size
			inches	mm	inches	mm	
52025235	PG-7	-	0.413	10.5	.079	2	500
52025240	PG-9	NPT-3/8"	0.531	13.5	.079	2	500
52025250	PG-11	-	0.669	17.0	.079	2	250
52025260	PG-13	NPT-1/2"	0.728	18.5	.079	2	250
52025270	PG-16	-	0.807	20.5	.079	2	250
52025280	PG-21	NPT-3/4"	1.024	26.0	.079	2	100
52025290	PG-29	NPT-1"	1.358	34.5	.079	2	100
52025291	PG-36	-	1.752	44.5	.079	2	100

### SKINTOP® SD-M: Metric Dust-Proof Plugs

Part Number	Thread Type & Size	Diameter		Thickness		Standard Pack Size
		inches	mm	inches	mm	
54113100	M-12	0.453	11.5	.079	2	100
54113110	M-16	0.591	15.0	.079	2	100
54113120	M-20	0.787	20.0	.079	2	100
54113130	M-25	0.984	25.0	.079	2	50
54113140	M-32	1.181	30.0	.079	2	50
54113150	M-40	1.575	40.0	.079	2	25
54113160	M-50	1.929	49.0	.079	2	25
54113170	M-63	2.283	58.0	.079	2	25

### SKINTOP® DV: PG & NPT Moisture Proof Plugs

Part Number	Thread Type & Size	Thread Type & Size	Diameter		Thickness		Standard Pack Size
			inches	mm	inches	mm	
53800640	PG-7	-	.276	7.0	.256	6.5	500
53800641	PG-9	NPT-3/8"	.335	8.5	.295	7.5	500
53800579	PG-11	-	.413	10.5	.335	8.5	250

### SKINTOP® DV-M: Metric Moisture Proof Plugs

Part Number	Thread Type & Size	Diameter		Thickness		Standard Pack Size
		inches	mm	inches	mm	
54113000	M-12	0.283	7.2	.276	7.0	500
54113010	M-16	0.394	10.0	.315	8.0	500
54113020	M-20	0.520	13.2	.331	8.4	250
54113030	M-25	0.677	17.2	.374	9.5	250
54113040	M-32	0.835	21.2	.472	12.0	250
54113050	M-40	1.110	28.2	.571	14.5	100
54113060	M-50	1.409	35.8	.709	18.0	100
54113070	M-63	1.795	45.6	.787	20.0	50

# HOLE PLUGS



Brass and Plastic Plugs for use in PG and Metric Threaded Holes

## PG & Metric Metal Plugs



### Technical Data:

	Materials:	Nickel-Plated Brass
	O-Ring:	NBR
	Seal:	IP 54
		IP 68 with O-Ring
	Temperature:	
	Metric With O-Ring:	-30°C to +100°C
	Metric Without O-Ring:	-60°C to +200°C

## SKINDICHT® BL Hole Plugs/ BL Hole Plugs with O-Ring

BL Part Number	BL Part Number with O-Ring	Thread Type & Size	Standard Pack Size
52002680	54001610	PG-7	100
52003390	54000071	PG-9	100
52003400	54000040	PG-11	100
52003410	54001630	PG-13	100
52003420	54001640	PG-16	100
52003430	54001660	PG-21	50
52003440	54001620	PG-29	50
52003450	54001650	PG-36	25
52003460	54001670	PG-42	10
52002790	54001680	PG-48	10

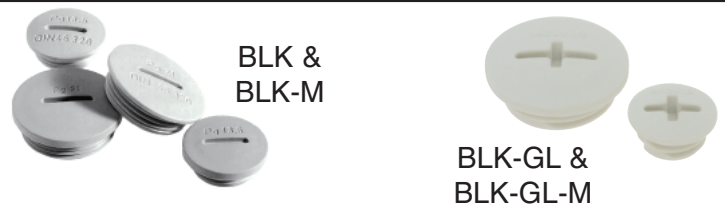
## SKINDICHT® BLM Hole Plugs/ BLM Hole Plugs with O-Ring

BLM Part Number	BLM Part Number with O-Ring	Thread Type & Size	Outer Diameter inches	Standard Pack Size
52103100	52103105	M-12X1.5	0.55	100
52103110	52103115	M-16X1.5	0.71	100
52103120	52103125	M-20X1.5	0.87	100
52103130	52103135	M-25X1.5	1.10	100
52103140	52103145	M-32X1.5	1.38	50
52103150	52103155	M-40X1.5	1.73	25
52103160	52103165	M-50X1.5	2.13	10
52103170	52103175	M-63X1.5	2.76	10

## SKINDICHT® BLK & BLK-M PG & Metric Plastic Hole Plugs

### Technical Data:

	Materials:	
	BLK:	Polystyrene
	BLK-GL & BLK-GL-M:	Polyamide glass fiber reinforced
	Color:	RAL 7035: Light Gray
		RAL 9005: Black
	Temperature:	
	BLK:	-20°C to +70°C
	BLK-M:	-25°C to +60°C
	BLK-GL & BLK-GL-M:	-40°C to +100°C
	Seal:	
	BLK-M:	IP 54
	BLK-GL-M:	IP 54
	BLK-GL-M with O-Ring:	IP 68



## SKINDICHT® BLK/ BLK-GL Hole Plugs

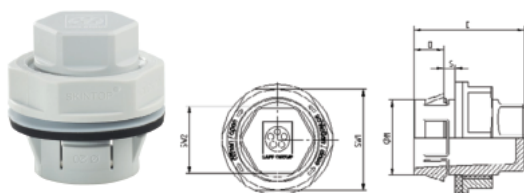
Part Number Light Gray BLK	Part Number Light Gray BLK-GL	Thread Type & Size	Thread Length inches	Standard Pack Size
52005949	52024848	PG-7	0.24	100
52005950	52024849	PG-9	0.24	100
52005960	52024850	PG-11	0.24	100
52005970	52024851	PG-13	0.24	100
52005980	52024852	PG-16	0.24	100
52005990	52024853	PG-21	0.31	50
52006000	52024854	PG-29	0.31	50
52006010	52024855	PG-36	0.39	25
52006020	52024856	PG-42	0.39	25
52006030	52024857	PG-48	0.47	25

## SKINDICHT® Hole Plugs

- BLK-M
- BLK-GL-M
- BLK-GL-M with O-ring

Part Number Light Gray BLK-M	Part Number Light Gray BLK-GL-M	Part Number Lt Gray / O-ring BLK-GL-M	Part Number Black BLK-GL-M	Part Number Black with O-Ring BLK-GL-M	Thread Type & Size	Thread Length inches	Standard Pack Size
52006600	52006100	52006107	52006103	52006106	M-12X1.5	.236	100
52006610	52006110	52006117	52006113	52006116	M-16X1.5	.236	100
52006620	52006120	52006127	52006123	52006126	M-20X1.5	.236	100
52006630	52006130	52006137	52006133	52006136	M-25X1.5	.315	100
52006640	52006140	52006147	52006143	52006146	M-32X1.5	.315	50
52006650	52006150	52006157	52006153	52006156	M-40X1.5	.315	25
52006660	52006160	52006167	52006163	52006166	M-50X1.5	.394	25
52006670	52006170	52006177	52006173	52006176	M-63X1.5	.472	25

## SKINTOP® CLICK BLK



### Technical Data:

	Materials:	
	Body:	Special Polyamide
	Seal:	Special Elastomer
	Temperature:	-20°C to +100°C
	Seal:	IP 68

Part Number	Thread Type & Size	S Wall Thickness inches	SW inches		C inches	D inches	Standard Pack Size
			1	2			
52109013	M-16	.04 - .16	.55	.04	1.12	.31	50
52109014	M-20	.04 - .16	.71	.04	1.16	.31	25
52109015	M-25	.04 - .16	.87	.04	1.20	.31	25

# FITTINGS



Nickel Plated Brass & Plastic  
Reducers and Enlargers in PG & Metric Combinations

## SKINDICHT® MR-Reducers



MR

### Technical Data:

Materials: Nickel-Plated Brass

Temperature: -60°C to +200°C

## KU Reducers



KU



KUS

### Technical Data:

Materials: Polyamide glass fiber reinforced

Color: RAL 7035: Light Gray

Temperature Range: -40°C to +100°C

## ME-Enlargers



### Technical Data:

Materials: Nickel-Plated Brass  
O-Ring: NBR

Temperature Range: -60°C to +200°C

## SKINDICHT® MR Reducers-PG

Part Number	Thread Type & Size Male to Female	Standard Pack Size	Part Number	Thread Type & Size Male to Female	Standard Pack Size
52003750	PG-9 to 7	100	52003870	PG-21 to 16	50
52003760	PG-11 to 7	100	52003880	PG-29 to 13	50
52003770	PG-11 to 9	100	52003890	PG-29 to 16	50
52003780	PG-13 to 7	100	52003900	PG-29 to 21	50
52003790	PG-13 to 9	100	52003910	PG-36 to 16	25
52003800	PG-13 to 11	100	52003920	PG-36 to 21	25
52003810	PG-16 to 7	100	52003930	PG-36 to 29	25
52003820	PG-16 to 9	100	52003940	PG-42 to 29	10
52003830	PG-16 to 11	100	52003950	PG-42 to 36	10
52003840	PG-16 to 13	100	52003970	PG-48 to 36	10
52003850	PG-21 to 11	50	52003980	PG-48 to 42	10
52003860	PG-21 to 13	50			

## SKINDICHT® MR-M Reducers-Metric

Part Number	Thread Type & Size Male to Female	Standard Pack Size	Part Number	Thread Type & Size Male to Female	Standard Pack Size
52104310	M-16 to 12	100	52104317	M-40 to 25	50
52104311	M-20 to 12	100	52104318	M-40 to 32	25
52104312	M-20 to 16	100	52104319	M-50 to 32	25
52104313	M-25 to 16	50	52104320	M-50 to 40	10
52104314	M-25 to 20	50	52104321	M-63 to 40	10
52104315	M-32 to 20	50	52104322	M-63 to 50	10
52104316	M-32 to 25	50			

## SKINDICHT® KU Reducers-PG

Part Number	Thread Type & Size Male to Female	Standard Pack Size	Part Number	Thread Type & Size Male to Female	Standard Pack Size
51730010	PG-11 to 7	50	52025150	PG-36 to 21	25
52025100	PG-13 to 7	50	52025050	PG-36 to 29	25
52025110	PG-16 to 9	50	52025160	PG-42 to 21	25
52025120	PG-21 to 11	25	52025170	PG-42 to 29	25
51730040	PG-21 to 13	25	52025060	PG-42 to 36	25
52025130	PG-29 to 13	25	52025180	PG-48 to 29	25
51730050	PG-29 to 16	25	52025190	PG-48 to 36	25
52025140	PG-36 to 16	25	52025070	PG-48 to 42	25

## SKINDICHT® KUS Reducers-PG

Part Number	Thread Type & Size Male to Female	Standard Pack Size
52025040	PG-9 to 7	50
51730060	PG-11 to 9	50
51730070	PG-13 to 11	50
51730080	PG-16 to 13	50

## ME-Enlargers-PG

Part Number	Thread Type & Size Male to Female	Standard Pack Size	Part Number	Thread Type & Size Male to Female	Standard Pack Size
52003990	PG-7 to 9	100	52004060	PG-13 to 21	50
52004000	PG-9 to 11	100	52004070	PG-16 to 21	50
52004010	PG-9 to 13	100	52004080	PG-16 to 29	50
52004020	PG-11 to 13	100	52004090	PG-21 to 29	50
52004030	PG-11 to 16	100	52004100	PG-29 to 36	50
52004040	PG-11 to 21	100	52004110	PG-36 to 42	10
52004050	PG-13 to 16	100	52004120	PG-42 to 48	10

## ME-Enlargers-Metric

Part Number	Thread Type & Size Male to Female	Standard Pack Size	Part Number	Thread Type & Size Male to Female	Standard Pack Size
52104450	M-12 to 16	100	52104458	M-32 to 40	50
52104452	M-16 to 20	100	52104460	M-40 to 50	25
52104454	M-20 to 25	100	52104462	M-50 to 63	25
52104456	M-25 to 32	50			

# NICKEL PLATED BRASS ADAPTERS



PG, NPT & Metric Combinations

## PG/ NPT Adapters



Part Number	Thread Type & Size Male to Female	Standard Pack Size
01112	PG-11 to NPT 1/2"	10
01312	PG-13 to NPT 1/2"	10
01612	PG-16 to NPT 1/2"	10
02112	PG-21 to NPT 1/2"	10
02134	PG-21 to NPT 3/4"	10
02910	PG-29 to NPT 1"	10
03614	PG-36 to NPT 1-1/4"	10

## NPT/ PG Adapters



Part Number	Thread Type & Size Male to Female	Standard Pack Size
11211	NPT 1/2" - PG-11	10
11213	NPT 1/2" - PG-13	10
11216	NPT 1/2" - PG-16	10
13411	NPT 3/4" - PG-11	10
13413	NPT 3/4" - PG-13	10
13416	NPT 3/4" - PG-16	10
13421	NPT 3/4" - PG-21	10
11116	NPT 1" - PG-16	10

## SKINDICHT® MA-M/ NPT Adapters



O-Ring- NBR

Connecting adapter with Metric outer threads and NPT inner threads.

Part Number	Thread Type & Size Male to Female	Standard Pack Size
54020100	M-16X1.5 to NPT 1/2"	50
54020110	M-20X1.5 to NPT 1/2"	50
54020120	M-25X1.5 to NPT 1/2"	25
54020130	M-25X1.5 to NPT 3/4"	25
54020140	M-32X1.5 to NPT 1/2"	25
54020152	M-32X1.5 to NPT 1"	25
54020153	M-40X1.5 to NPT 1 1/4"	10

## SKINDICHT® MA-M/ PG Adapters



Connecting adapter with Metric outer threads and PG inner threads.

Part Number	Thread Type & Size Male to Female	Standard Pack Size
52104200	M-16X1.5 to PG-7	100
52104210	M-20X1.5 to PG-9	50
52104220	M-25X1.5 to PG-11	50
52104230	M-25X1.5 to PG-13	50
52104240	M-25X1.5 to PG-16	50
52104250	M-32X1.5 to PG-16	25
52104260	M-32X1.5 to PG-21	25
52104270	M-40X1.5 to PG-21	25
52104280	M-50X1.5 to PG-29	10
52104290	M-63X1.5 to PG-36	10
52104300	M-63X1.5 to PG-42	10

## SKINDICHT® ZS-M/ PG Adapters



A hexagonal connector with Metric outer threads and PG inner threads.

Part Number	Thread Type & Size Male to Female	Width Across Flats inches	Thread Length inches	Standard Pack Size
52104330	M-12x1.5 to PG-7	0.55	0.20	100
52104340	M-16x1.5 to PG-9	0.71	0.20	100
52104010	M-16x1.5 to PG-11	0.79	0.20	100
52104360	M-20x1.5 to PG-11	0.87	0.24	100
52104370	M-20x1.5 to PG-13	0.87	0.24	100
52104380	M-20x1.5 to PG-16	0.94	0.24	50
52104400	M-25x1.5 to PG-21	1.18	0.28	50
52104410	M-32x1.5 to PG-29	1.57	0.31	25
52104420	M-40x1.5 to PG-36	1.97	0.31	10
52104430	M-50x1.5 to PG-42	2.24	0.35	10
52104440	M-63x1.5 to PG-48	2.60	0.39	10

# ADAPTERS & SEALING RINGS



Nickel Plated Brass & Plastic

Adapters and Sealing Rings in PG & Metric Combinations

## SKINDICHT® MA-PG/M Adapters

Shape A



Shape B



### Technical Data:

Body Material:	Nickel Plated Brass
O-ring:	NBR

Shape A Part Number	Shape B Part Number	Thread Type & Size Male to Female	Standard Pack Size
-	52104490	PG-7 to M-12x1.5	100
-	52104491	PG-9 to M-16x1.5	50
52104492	-	PG-11 to M-16x1.5	50
-	52104493	PG-11 to M-20x1.5	50
-	52104494	PG-13 to M-20x1.5	50
52104495	-	PG-16 to M-20x1.5	50
-	52104496	PG-16 to M-25x1.5	50
52104497	-	PG-21 to M-20x1.5	50
52104498	-	PG-21 to M-25x1.5	50
-	52104499	PG-21 to M-32x1.5	50
52104500	-	PG-29 to M-25x1.5	25
52104501	-	PG-29 to M-32x1.5	25
-	52104502	PG-29 to M-40x1.5	10
52104503	-	PG-36 to M-40x1.5	10

## SKINDICHT® A-PG/M Adapters

Shape A



Shape B



### Technical Data:

Materials:	Polyamide glass fiber reinforced
Color:	RAL 7035: Light Gray
Temperature Range:	-40°C to +100°C

Shape A Part Number	Shape B Part Number	Thread Type & Size Male to Female	Standard Pack Size
52100320	-	PG-7 to M-12x1.5	25
52100321	-	PG-7 to M-16x1.5	25
52100322	-	PG-9 to M-12x1.5	25
52100323	-	PG-9 to M-16x1.5	25
52100324	-	PG-9 to M-20x1.5	25
52100325	-	PG-11 to M-16x1.5	25
52100326	-	PG-11 to M-20x1.5	25
52100327	-	PG-11 to M-25x1.5	25
52100328	-	PG-13 to M-16x1.5	25
52100329	-	PG-13 to M-20x1.5	25
52100330	-	PG-13 to M-25x1.5	25
52100331	-	PG-16 to M-20x1.5	25
52100332	-	PG-16 to M-25x1.5	25
52100333	-	PG-16 to M-32x1.5	25
52100334	-	PG-21 to M-25x1.5	10
52100335	-	PG-21 to M-32x1.5	10
52100336	-	PG-21 to M-40x1.5	10
-	52100337	PG-29 to M-32x1.5	10
52100338	-	PG-29 to M-40x1.5	10
52100339	-	PG-29 to M-50x1.5	10
-	52100340	PG-36 to M-40x1.5	10
52100341	-	PG-36 to M-50x1.5	10
52100342	-	PG-36 to M-63x1.5	10
-	52100343	PG-42 to M-40x1.5	5
52100344	-	PG-42 to M-50x1.5	5
52100345	-	PG-42 to M-63x1.5	5
-	52100346	PG-48 to M-50x1.5	5
52100347	-	PG-48 to M-63x1.5	5

## Sealing Ring



### Technical Data:

Materials:	CR
Color:	Black
Temperature Range:	-20°C to +80°C

## SKINDICHT® E Sealing Ring-PG

Part Number	Thread Type & Size	Outer Diameter x bores inches	Thickness inches	Standard Pack Size
52005780	PG-9	.53x.20/.31	0.22	250
52003690	PG-11	.65x.28/.39/.49	0.24	250
52003700	PG-13	.73x.28/.41/.51/.63	0.26	250
52003710	PG-16	.81x.31/.41/.53/.63	0.30	250
52003720	PG-21	1.02x.43/.59/.71/.79	0.31	100
52003730	PG-29	1.38x.75/.91/1.06/1.22	0.37	100
52003740	PG-36	1.77x.98/1.10/1.22/1.38	0.47	50
52005790	PG-42	2.05x1.40/1.54/1.67/1.841	0.55	50
52005800	PG-48	2.24x1.59x1.73/1.85/1.99	0.55	50

## SKINDICHT® E-M Sealing Ring-Metric

Part Number	Thread Type & Size	Outer Diameter x bores inches	Thickness inches	Standard Pack Size
52100620	M-12	.39x.20	0.20	250
52100621	M-16	.54x.12/.24/.35	0.22	250
52100622	M-20	.69x.16/.28/.39/.51	0.24	250
52100623	M-25	.89x.33/.45/.57/.69	0.30	100
52100624	M-32	1.17x.63/.75/.87/.98	0.37	100
52100625	M-40	1.48x.91/1.021.14/1.26	0.47	50
52100626	M-50	1.87x1.18/1.30/1.42/1.54	0.55	50
52100627	M-63	2.39x1.42/1.54/1.65/1.77	0.55	50

# O-RINGS

Perbunan, PTFE & VITON® in PG Sizes



## SKINDICHT® Perbunan® O-Rings

Perbunan® O-rings provide safe sealing against oil, dust and water when placed on the fastening threads of the connector.



### Technical Data:

Materials: Perbunan (NBR)  
Ozone & UV Resistant

Temperature: -20°C to + 100°C

Part Number	Thread Type & Size	Inner Diameter		Thickness		Standard Pack Size
		inches	mm	inches	mm	
53001010	PG-7	0.394	10	.059	1.5	100
53102011	PG-9	0.512	13	.059	1.5	100
53001020	PG-11	0.630	16	.059	1.5	100
52005740	PG-13	0.709	18	.059	1.5	100
53001030	PG-16	0.787	20	.059	1.5	100
52005750	PG-21	1.024	26	.079	2.0	100
53001040	PG-29	1.339	34	.079	2.0	50
52005760	PG-36	1.732	44	.079	2.0	50
53001050	PG-42	1.969	50	.079	2.0	50
52005770	PG-48	2.165	55	.079	2.0	50

Perbunan® is a registered trademark of BAYER AG

## SKINDICHT® JT PTFE O-Rings

JT PTFE O-rings provide safe sealing against oil, water, alkalis, acids, solvents and virtually all chemicals when placed on the fastening threads of a connector. They are suitable for food and dairy applications and have a wide temperature range.



### Technical Data:

Materials: PTFE

Temperature: -120°C to + 250°C  
short term up to +300°C

Part Number	Thread Type & Size	Inner Diameter inches	Outer Diameter inches	Thickness		Standard Pack Size
				inches	mm	
53801035	PG-7	0.492	0.650	.079	2	100
53801045	PG-9	0.598	0.748	.079	2	100
53801055	PG-11	0.732	0.886	.079	2	100
53801065	PG-13	0.803	0.984	.079	2	100
53801075	PG-16	0.886	1.063	.079	2	100
53801085	PG-21	1.114	1.319	.118	3	50
53801095	PG-29	1.457	1.713	.118	3	50
53801105	PG-36	1.850	2.165	.118	3	25
53801115	PG-42	2.126	2.480	.118	3	25
53801125	PG-48	2.335	2.717	.118	3	25

## SKINDICHT® VITON® O-Ring

VITON® O-rings provide safe sealing against oil, water, alkalis, acids, solvents and virtually all chemicals when placed on the fastening threads of a connector. They are also suitable for food and dairy applications and have a wide temperature range.



### Technical Data:

Materials: FKM  
Fluoroelastomer (Green)

Temperature: -20°C to + 200°C

Part Number	Thread Type & Size	Inner Diameter		Thickness		Standard Pack Size
		inches	mm	inches	mm	
52023607	PG-7	.394	10	.059	1.5	100
52122011	PG-9	.512	13	.059	1.5	100
52023602	PG-11	.630	16	.059	1.5	100
52023601	PG-13	.709	18	.059	1.5	100
52023603	PG-16	.787	20	.059	1.5	50
52023604	PG-21	1.024	26	.079	2.0	50
52023606	PG-29	1.339	34	.079	2.0	50
52023608	PG-36	1.732	44	.079	2.0	25
52023609	PG-42	1.969	50	.079	2.0	25
52023611	PG-48	2.165	55	.079	2.0	25

Viton® is a registered trademark of DuPont de Nemour

# O-RINGS

Perbunan, PTFE & VITON® in Metric Sizes



## SKINDICHT® Perbunan® O-Rings

Perbunan O-rings provide safe sealing against oil, dust and water when placed on the fastening threads of the connector.



### Technical Data:

Materials: Perbunan (NBR)  
Ozone & UV Resistant

Temperature: -30°C to + 100°C

Perbunan® is a registered trademark of BAYER AG

Part Number	Thread Type & Size	Inner Diameter		Thickness		Standard Pack Size
		inches	mm	inches	mm	
53102000	M-12x2.0	0.354	9	.079	2	100
53102010	M-16x2.0	0.512	13	.079	2	100
53102020	M-20x2.0	0.669	17	.079	2	100
53102030	M-25x2.0	0.866	22	.079	2	100
53102040	M-32x2.0	1.102	28	.079	2	50
53102050	M-40x2.0	1.417	36	.079	2	50
53102060	M-50x2.0	1.811	46	.079	2	25
53102070	M-63x2.0	2.244	57	.079	2	25

## SKINDICHT® JT PTFE O-Rings

JT PTFE Teflon O-rings provide safe sealing against oil, water, alkalis, acids, solvents and virtually all chemicals when placed on the fastening threads of a connector. They are suitable for food and dairy applications and have a wide temperature range.



### Technical Data:

Materials: PTFE

Temperature: -120°C to + 250°C  
short term: up to +300°C

Part Number	Thread Type & Size	Inner Diameter inches	Outer Diameter inches	Thickness		Standard Pack Size
				inches	mm	
53801030	M-12x2.0	0.476	0.654	.079	2	100
53801040	M-16x2.0	0.634	0.831	.079	2	100
53801050	M-20x2.0	0.791	1.083	.079	2	100
53801060	M-25x2.0	0.988	1.315	.118	3	50
53801070	M-32x2.0	1.264	1.587	.118	3	50
53801080	M-40x2.0	1.583	2.028	.118	3	25
53801090	M-50x2.0	1.976	2.425	.118	3	25
53801100	M-63x2.0	2.488	2.909	.118	3	25

## SKINDICHT® VITON® O-Ring

VITON® O-rings provide safe sealing against oil, water, alkalis, acids, solvents and virtually all chemicals when placed on the fastening threads of a connector. They are also suitable for food and dairy applications and have a wide temperature range.



### Technical Data:

Materials: FKM  
Fluoroelastomer (Green)

Temperature: -20°C to + 200°C

Viton® is a registered trademark of DuPont de Nemour

Part Number	Thread Type & Size	Inner Diameter		Thickness		Standard Pack Size
		inches	mm	inches	mm	
52122000	M-12x2.0	0.354	9	.079	2	100
52122010	M-16x2.0	0.512	13	.079	2	100
52122020	M-20x2.0	0.669	17	.079	2	100
52122030	M-25x2.0	0.866	22	.079	2	100
52122040	M-32x2.0	1.102	28	.079	2	50
52122050	M-40x2.0	1.417	36	.079	2	50
52122060	M-50x2.0	1.811	46	.079	2	25
52122070	M-63x2.0	2.244	57	.079	2	25

# SKINDICHT® Cable Bushing System

## SDL Flanges & SDT Split Bushing Sleeve

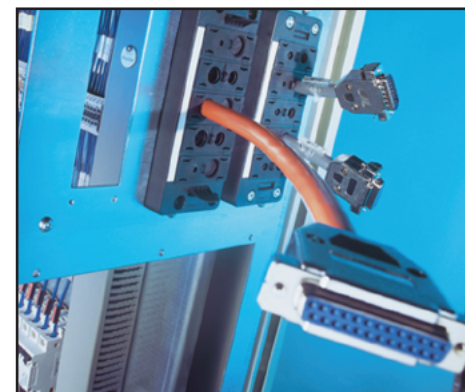
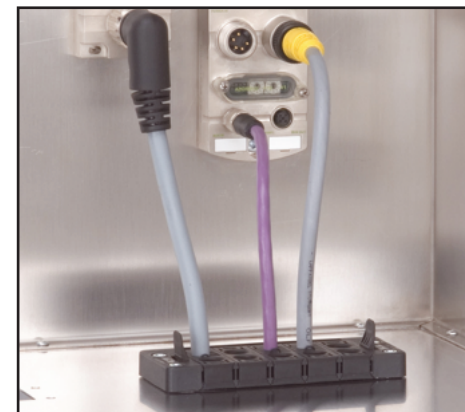
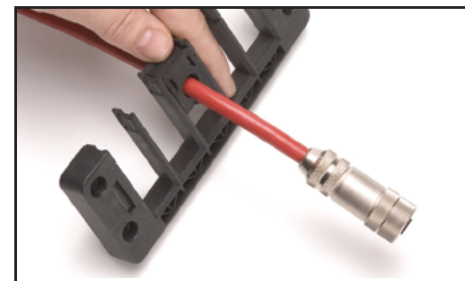
The SKINDICHT® SDL and SDT Bushing Systems provide an efficient cable bushing system for use with data, control, bus and signal cables as well as preassembled cables. These systems easily route cables into the housing unit without interruptions.

The SDT, split bushing sleeve, is positioned around the cable and inserted into the SDL flange, which is available in sizes for 16-pin and 24-pin rectangular connectors (ex. HBE 16 and HBE 24).

### Application Advantage:

- Easy Entry of Pre-Assembled Cables
- Fits Standard Cuts-outs
- Up to 20 cables can be configured into one housing unit
- IP 54

Part Number	Description	# of Slots	
<b>Smaller frames for Size 16 Cut-outs</b>		<b>Small</b>	<b>Large</b>
52021400	SDL 16/2		2
52021401 & 52021633*	SDL 16/5	4	1
52021402	SDL 16/8	8	
<b>Larger frames for Size 24 Cut-outs</b>			
52021500	SDL 24/4	2	2
52021501 & 52021632*	SDL 24/7	6	1
52021502	SDL 24/10	10	
<b>Inserts for smaller slots</b>		<b>For Ø range (inch)</b>	
52021634	SDT 03	0.12 - 0.16	
52021601	SDT 04	0.16 - 0.20	
52021602	SDT 05	0.20 - 0.24	
52021603	SDT 06	0.24 - 0.28	
52021604	SDT 07	0.28 - 0.31	
52021605	SDT 08	0.31 - 0.35	
52021606	SDT 09	0.35 - 0.39	
52021607	SDT 10	0.39 - 0.43	
52021608	SDT 11	0.43 - 0.47	
52021609	SDT 12	0.47 - 0.51	
52021635	SDT 13	0.51 - 0.55	
52021643	SDT 14	0.55 - 0.59	
52021636	SDT 15	0.59 - 0.63	
<b>Inserts for larger slots</b>			<b>For Ø range (inch)</b>
52021637	SDT 16		0.63 - 0.67
52021638	SDT 17		0.67 - 0.71
52021639	SDT 18		0.71 - 0.75
52021616	SDT 19		0.75 - 0.79
52021617	SDT 20		0.79 - 0.83
52021618	SDT 21		0.83 - 0.87
52021619	SDT 22		0.87 - 0.91
52021641	SDT 23		0.91 - 0.94
52021621	SDT 24		0.94 - 0.98
52021622	SDT 25		0.98 - 1.02
52021623	SDT 26		1.02 - 1.06
52021624	SDT 27		1.06 - 1.10
52021625	SDT 28		1.10 - 1.14
52021626	SDT 29		1.14 - 1.18
52021627	SDT 30		1.18 - 1.22
<b>Multiport smaller insert</b>			<b>For Ø range (inch)</b>
52021628	SDT 2X4	2 x (0.16 - 0.18)	(.16 - .18)
52021629	SDT 2X5	2 x (0.20 - 0.22)	(.20 - .22)
52021642	SDT 2x6	2 x (0.24 - 0.26)	(.24 - .26)
<b>Adapter for small bushing in large slot</b>			
52021631	SDT Red		Adapter for small grommet
<b>Dummy bushings</b>			
52021632	SDT-SDB	Dummy Bushing	
52021633	SDT-LDB	Dummy Bushing	Dummy Bushing
<b>Variable OD grommet with expandable membrane</b>			
52021330	SDT-VG 3-8	.12 - .28	
52021331	SDT-VG 7-10	.28 - .39	
<b>ASI Cable Grommets</b>			
52021333	SDT-ASI	1 ASI Cable	
52021332	SDT-ASI X 2	2 ASI Cable	



# SKINDICHT® Cable Bushing System

## SDL Flanges & SDT Split Bushing Sleeve

Step 1) Choose a Small (16) or Large (24) SDL Frame

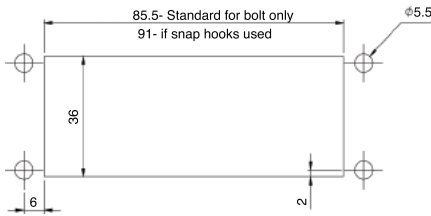
Step 2) Select the proper configuration based on the number and size of cables that need to pass through the frame.

Step 3) Select the appropriate SDT inserts for each slot based on your cable diameters. The grommet consists of two linking pieces that are positioned around the cable. The grommets are equipped with catch hooks that anchor themselves in the SDL flange. Strain relief for the SDT split bushing sleeve is achieved using a cable tie.

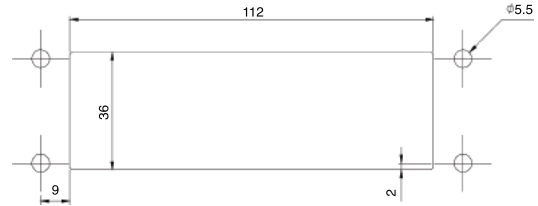
Step 4) The SDL flange is latched to the standard cut-out by two durable snaps (for plate thicknesses of .06" - .08"). Alternatively, the SDL flange can be fastened with four bolts in cases of increased plate thickness or extremely high mechanical stress.

Step 1

### SDL 16 Panel Cut Out

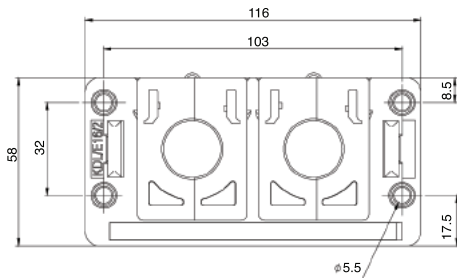


### SDL 24 Panel Cut Out

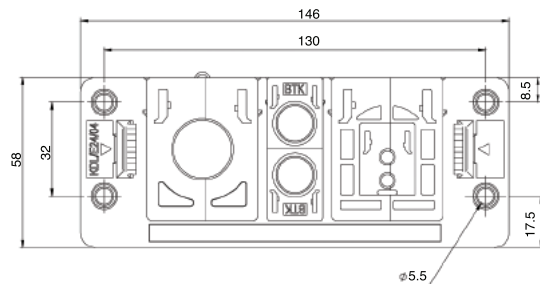


Step 2

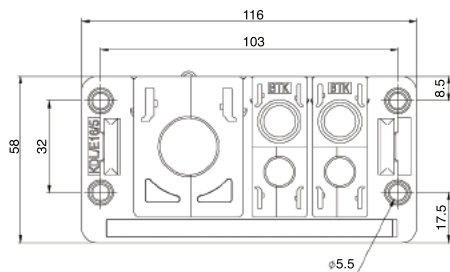
### SDL 16/2: 2 Large Slots



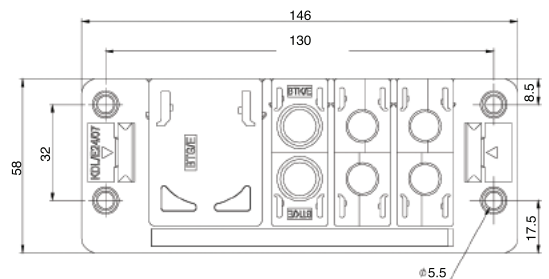
### SDL 24/4: 2 Large Slots & 2 Small Slots



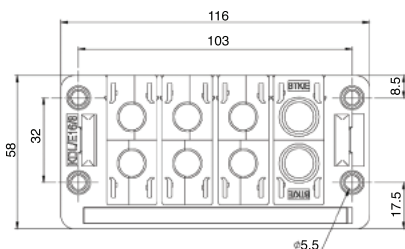
### SDL 16/5: 1 Large Slot & 4 Small Slots



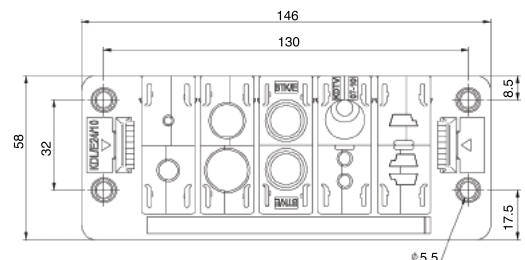
### SDL 24/7: 1 Large Slot & 6 Small Slots



### SDL 16/8: 8 Small Slots



### SDL 24/10: 10 Small Slots



# MOUNTING TOOLS

For SKINTOP® Cable Glands

## SKINMATIC® RZ Wrench

SKINMATIC® RZ tool is designed for fast assembly of cable connectors. The wrench fits SKINTOP® sizes from PG-7 to PG-21. This tool provides access to SKINTOP® connectors in cramped conditions and is ideal for OEM installations.



Part Number	Width across flats inches	Height of Wrench	Length of Wrench	Standard Pack Size
61791260	0.55 - 1.30	3.15 in.	9.843 in.	1

## SKINMATIC® MH-SET: Mounting Tools for SKINTOP® MS SERIES

MH-Set is a three piece wrench set intended for use with SKINTOP® MS products such as MS-M, MS-SC-M and MS-NPT. The bearing surface is shaped to prevent the nut from slipping and ensures a quick and safe assembly.

The MH-Set consists of the following sizes:  
 16 / 20mm (M-12 / M-16)  
 24 / 29mm (M-20 / M-25)  
 36 / 45mm (M-32 / M-40)



Part Number	Thread Size	Wrench Size		Wrench Height		Included in MH Set
		inches	mm	Inches	mm	
61791273	M-12/ M-16	.630 - .787	16 - 20	.787	20	1
	M-20/ M-25	.945 - 1.142	24 - 29	.866	22	1
	M-32/ M-40	1.417 - 1.772	36 - 45	.984	25	1

# TOOLS

## Cutting & Stripping

### PTS 4 WIRE STRIPPER

The PTS 4 is designed for stripping single conductors from .25 mm (24 AWG) to 4 mm (12 AWG). It can be used to strip several conductors of the same gauge size simultaneously. The blades are self-adjusting to prevent damage to the conductors. In addition, the pressure of the cutting jaw may be adjusted. Diagonal cutters are also integrated so that cutting and stripping can be done with the same tool.



Part Number	Description	Length (inch)	Weight Lbs	Pack Size
61725950	PTS 4	6.693	0.441	1
61753620	Spare spring PTS 4	-	-	1

### BULLI For fine wire conductors

The BULLI cutters are special designed for use with fine wire cables up to 6 AWG (16 mm). Features a latch and spring return, along with a safety lock for extra protection.



Part Number	Description	For Outer Diameter	Length (inch)	Weight lbs.	Pack Size
61744160	Cutter	0.630	7.283	.298	1
61744161	Spare Spring	-	-	-	-

### KS 15

Cuts copper and aluminum cables up to .59 inch outer diameter

The KS 15 provides easy, precision cutting that can be used for removing sheath and stripping wires.

\*Not suitable for steel wire and hard-drawn copper conductors.



Part Number	Description	For Outer Diameter (inch)	Length (inch)	Weight lbs.	Pack Size
61735975	Cable Shears	.591	6.496	.463	1

# TOOLS

## Taps & Screwdrivers

### Multi-purpose Taps- Metric

#### SKINMATIC® KB-M

##### Multi-purpose tap

For simultaneous core drilling and tapping metric threads. Especially suitable for thin components and sheet metals.



#### SKINMATIC® SB-M

##### Spiral Drill

For drilling the core holes of metric threads



#### SKINMATIC® GB-M

##### Tap

For cutting metric threads



Part Number	Thread Type & Size	Overall Length		Drill Length		Standard Pack Size
		inches	mm	inches	mm	
<b>KB-M</b>						
61791274	M-12x1.5	5.12	130	1.18	30	1
61791275	M-16x1.5	5.91	150	1.38	35	1
61791276	M-20x1.5	6.50	165	1.57	40	1
61791277	M-25x1.5	7.28	185	1.77	45	1
<b>SB-M</b>						
61791278	M-32x1.5	11.85	301	7.09	180	1
61791279	M-40x1.5	13.74	349	7.87	200	1
61791280	M-50x1.5	14.53	369	8.66	220	1
<b>GB-M</b>						
61791282	M-32x1.5	5.91	150	1.10	28	1
61791283	M-40x1.5	6.69	170	1.10	28	1
61791284	M-50x1.5	7.48	190	1.26	32	1

### Adjustable Torque Screwdriver

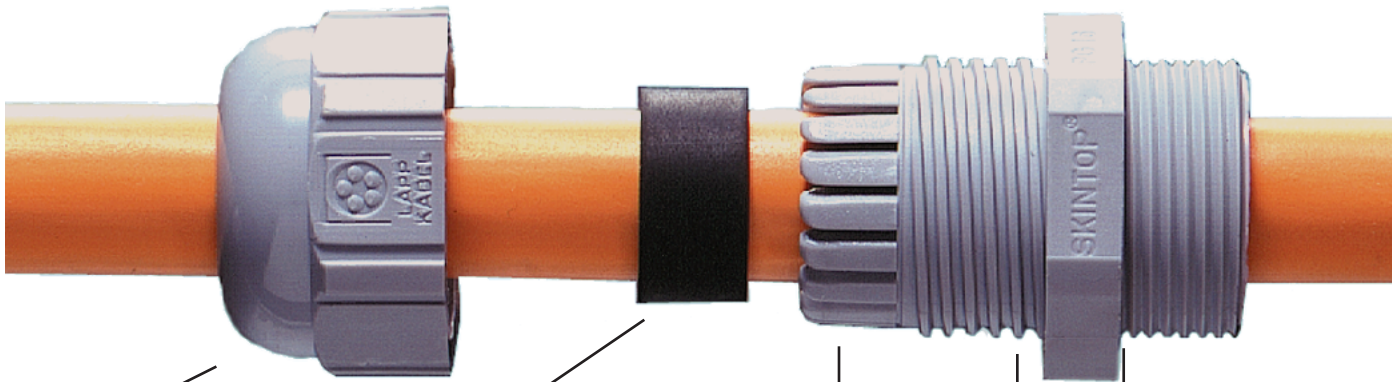
Simple, free assembly in any position with quick and easy tool change.



Part Number	Description	Length inches	Measuring Range	Standard Pack Size
61813958	Torque Screwdriver	7.09	0.3 - 1.2 Nm	1

# SKINTOP®

Liquid Tight, Non-Metallic Strain Relief Cable Glands  
Secured by a Single Turn of the Hand



**Cap nut** with ergonomically designed gripping grooves. The gripping surfaces are generously dimensioned for spanners. Integral locking feature for vibration-resistant assembly.

**Neoprene sealing** for a hermetic seal (IP68)\*. Every SKINTOP® version is available with reducing seal insert for smaller cable diameters.

**Lamellar design** for optimum strain relief and protection of the cable. Widely variable clamping range, therefore only a few gland sizes are necessary.

**Integral sealing ridges** for a water tight junction with the housing.

**Multiple trapezoidal thread** for secure and instant assembly.

Shown here are the carefully matched components of the SKINTOP® screw-type cable glands. It is precisely these parts which guarantee optimum reliability.

### Even more:

With SKINTOP® you can install the cable in an instant. Just feed it in, turn nut until tight - ready. Your cable is centered, hermetically sealed and completely strain relieved with a turn of the hand. If you do not wish to use your hands, you can work with a spanner wrench or SKINMATIC® RZ tool. Either way, with SKINTOP® you can achieve maximum reliability. SKINTOP® quality is continuously monitored to ensure a level of reliability that has resulted in many international approvals.

### Resistance properties:

**Rated Temperature:** SKINTOP® NPT & PG  
-20°C to +80°C  
SKINTOP® Metric  
static: -40°C to +100°C  
dynamic: -20°C to +100°C

**Chemical:**

- +Alcohols
- +Aromatic Hydrocarbons
- +Ethers
- +Benzene
- o Chlorinated hydrocarbons
- +Esters
- +Grease, animal-vegetable
- +Fluorinated hydrocarbons
- +Ketones
- +Motor Fuels
- +Weak Alkali Solutions
- Strong Alkali Solutions
- +Petroleum Oils
- +Weak Acids
- Strong Acids
- +Trichlorethylene

**Legend:**  
+ = resistant  
o = with limited resistance  
- = non-resistant

### Testing:

SKINTOP®  
Incandescent wire test to IEC 695, Part 2-1  
Test Temperature 750°C  
Strain relief to DIN VDE 0619  
Protection Class IP 68,  
Test to DIN 40050 and 40052

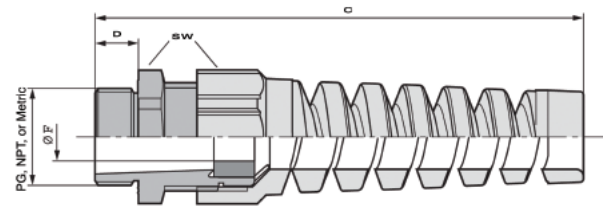
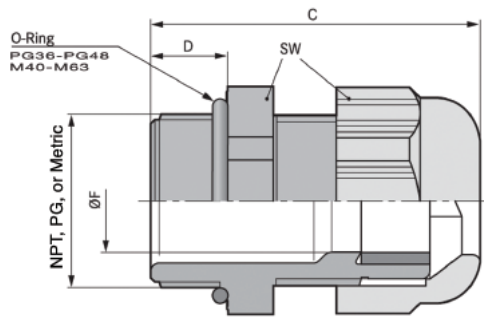
### International Approvals:

UL #E146370  
CSA #LR50370-10  
VDE #57986 (Metric)  
SEV #100989

\* All IP ratings are dependent on proper installation by the user.

# SKINTOP® Strain Relief Cable Glands

Polyamide Style



Patented Security:  
Patent # P-2631996

International Approvals:  
UL # E146370 Metric: VDE # 57986  
CSA # LR50370-10 SEV # 100989

## TECHNICAL DATA:

Protection: Up to 70 PSI

Material: Polyamide — flame retardant,  
self-extinguishing nylon with CR bushing

Rated  
Temperature: PG & NPT: -20°C to +80°C, short term to +100°C  
Metric: -20°C to +100°C

Seal: IP 68 (International Protection —  
highest grade), comparable to NEMA 6  
classification  
First digit (0–6): Dust Protection  
Second digit (0–8): Water Protection

Resistant to: Salt water, weak acids, weak alkalis,  
alcohol, ester, ketones, ether, benzene, gas,  
mineral oil, animal and vegetable oils,  
gasoline, oil, grease and common solvents.

SKINTOP® meets the most stringent demands of  
safety and operational reliability. SKINTOP® can be used in pan-  
els, switches, control boxes, submersible pumps,  
appliances and many machine tool applications.

SKINTOP® is both a strain relief and a liquid tight seal — all in  
one connector.

## Optimum Seal:

Complete liquid tightness is achieved with a uniquely designed  
molded sealing ring and flange nut combined with a neoprene  
bushing and domed sealing cap.

## Unique Design:

SKINTOP® outperforms traditional connectors because the design  
consists of three parts which do not require dismantling before  
use.

The internal ratchet mechanism allows the cap to be tightened  
without twisting the cord as it compresses, pushing the collet  
fingers together to form a liquid-tight seal with the neoprene  
compression bushing.

## Vibration Proof Protection:

An integrated locking mechanism that includes an internal ratchet  
inside the sealing portion of the cord grip provides a self locking  
and vibration proof element that prevents the cap from loosening  
even when subjected to severe vibration.

## Quick Installation:

The multi-trapezoidal thread requires just one twist to tighten the  
dome cap – automatically adjusting to the size of the cable and  
providing optimum strain relief and liquid tight seal.

## Durability:

SKINTOP® incorporates a heavy duty design that provides greater  
pullout strength and very reliable strain relief.

## Easier Handling:

Larger ergonomic design and ridges in the dome cap provide  
easy gripping and mounting by hand or wrench.

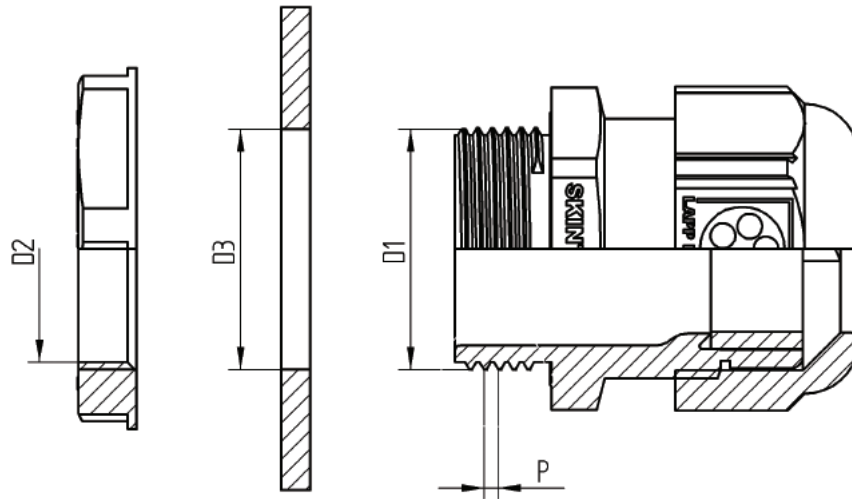
## Larger Variable Clamping Range:

The uniquely designed collet, combined with the optional reducing  
bushing accommodates a broad range of cords, and cable  
diameters resulting in a reduction in the number of connectors  
required in inventory.

## Resistant to Impact at Low Temperatures:

The SKINTOP® can withstand impact at low temperatures of  
-20°C.

# Threading Dimensions & Tightening Values for SKINTOP® Cable Glands



All dimensions are in mm.

## Metric Thread Technical Data for Assembly, EN 60423 (for cable glands EN 50 262)

METRIC THREAD	Core Diameter D1	Pitch P	Outside Diameter D2	Nominal thread Bore Diameter D3
M12 x 1.5	12	1.50	10.6	12.3 - 0.2
M16 x 1.5	16	1.50	14.6	16.3 - 0.2
M20 x 1.5	20	1.50	18.6	20.3 - 0.2
M25 x 1.5	25	1.50	23.6	25.3 - 0.2
M32 x 1.5	32	1.50	30.6	32.3 - 0.2
M40 x 1.5	40	1.50	38.6	40.4 - 0.3
M50 x 1.5	50	1.50	48.6	50.4 - 0.3
M63 x 1.5	63	1.50	61.6	63.4 - 0.3

## PG Thread Technical Data for Assembly DIN 40430

PG-THREAD	Core Diameter D1	Pitch P	Outside Diameter D2	Nominal thread Bore Diameter D3
PG 7	12.5	1.270	11.3	13.0 ± 0.2
PG 9	15.2	1.410	13.9	15.7 ± 0.2
PG 11	18.6	1.410	17.3	19.0 ± 0.2
PG 13	20.4	1.410	19.1	21.0 ± 0.2
PG 16	22.5	1.410	21.2	23.0 ± 0.2
PG 21	28.3	1.558	26.8	28.8 ± 0.2
PG 29	37.0	1.558	35.5	37.5 ± 0.3
PG 36	47.0	1.558	45.5	47.5 ± 0.3
PG 42	54.0	1.558	52.5	54.5 ± 0.3
PG 48	59.3	1.558	57.8	59.8 ± 0.3

## NPT Thread Technical Data for Assembly ASA B2.1-1945

NPT-THREAD	Core Diameter D1	Pitch P	Nominal thread Bore Diameter D3
NPT 1/4"	13.7	1.41	14.0 - 0.2
NPT 3/8"	17.1	1.41	17.4 - 0.2
NPT 1/2"	21.3	1.81	21.6 - 0.2
NPT 3/4"	26.7	1.81	27.0 - 0.2
NPT 1"	33.4	2.21	33.7 - 0.2
NPT 1 1/4"	42.2	2.21	42.5 - 0.2
NPT 1 1/2"	48.3	2.21	48.7 - 0.2
NPT 2"	60.3	2.21	60.7 - 0.2

# Threading Dimensions & Tightening Values for SKINTOP® Cable Glands

## Tightening Torque\* Metric

Metric SKINTOP® recommended tightening torque for attainment of protection category IP 68-5 bar and strain relief category A acc. to EN 50262

METRIC THREAD	Tightening torque in Nm	
	Polymer	Metal
M12 x 1.5	1.5	8
M16 x 1.5	3.0	10
M20 x 1.5	6.0	12
M25 x 1.5	8.0	12
M32 x 1.5	10.0	18
M40 x 1.5	13.0	18
M50 x 1.5	15.0	20
M63 x 1.5	16.0	20
M63 Plus	--	30

Not for ATEX Glands

## Tightening torque values to DIN/VDE 0619, Point 7. (PG & NPT Cable Glands)

PG THREAD	NPT THREAD	Torque for intermediary in Nm		Torque for cap nut	
		Polymer	Metal	Polymer	Metal
PG 7		2.5	6.25	1.7	4.2
PG 9	NPT 3/8"	3.75	6.25	2.5	4.2
PG 11		3.75	6.25	2.5	4.2
PG 13	NPT 1/2"	3.75	6.25	2.5	4.2
PG 16		5.0	7.50	3.3	5.0
PG 21	NPT 3/4"	7.5	10.0	5.0	6.7
PG 29	NPT 1"	7.5	10.0	5.0	6.7
PG 36		7.5	10.0	5.0	6.7
PG 42		7.5	10.0	5.0	6.7
PG 48		7.5	10.0	5.0	6.7

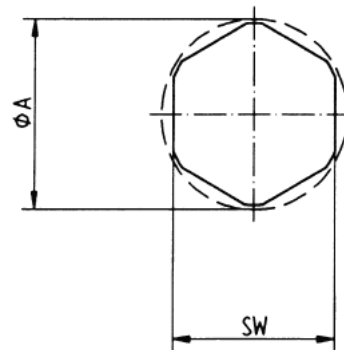
\* Reference: Above values are tightening torques for the intermediary, as well as maximum tightening torques for the cap nuts. To prevent damage of the outer sheath, please note that the different cable materials require various torques.

## Fitting dimensions and widths across flats

The diameter SW indicates the wrenching flats. The diameter A indicates the assembly space required for the relevant hexagon. This diameter corresponds to the width across the corner of the hexagon, plus an assembly tolerance.

Dimensions are mm<sup>2</sup>

SW	A	SW	A	SW	A
9	10.4	26	29.5	46	52.5
11	12.5	27	30.6	47	52.5
13	14.9	28	31.8	50	58.3
14	16.0	29	32.5	53	60.0
15	17.1	30	34.0	54	61.0
16	18.2	32	36.2	55	62.0
17	19.4	33	37.2	57	64.4
18	20.4	36	40.5	60	67.5
19	22.0	37	41.5	64	72.3
20	22.7	39	44.0	65	73.1
21	23.9	40	45.2	66	74.5
22	25.0	41	46.1	67	74.5
24	27.3	42	47.0		
25	28.3	45	51.2		



# SKINTOP®

