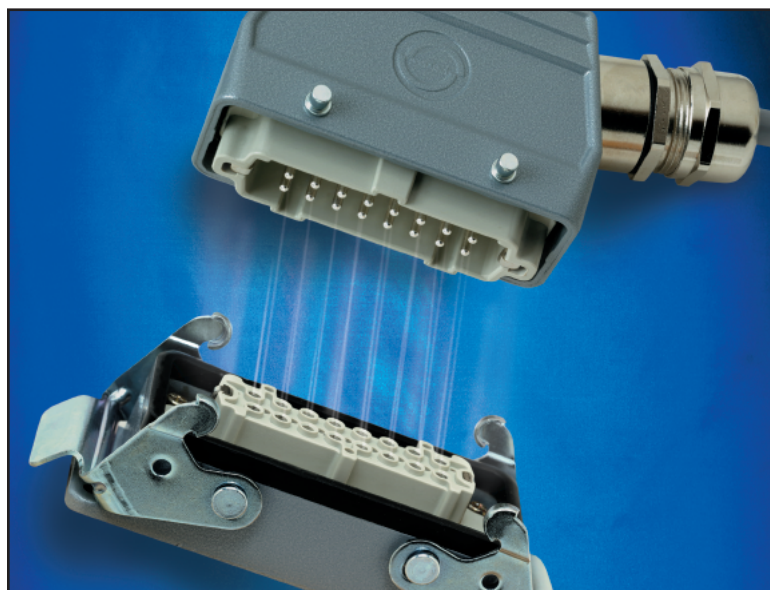


EPIC® Rectangular Connectors

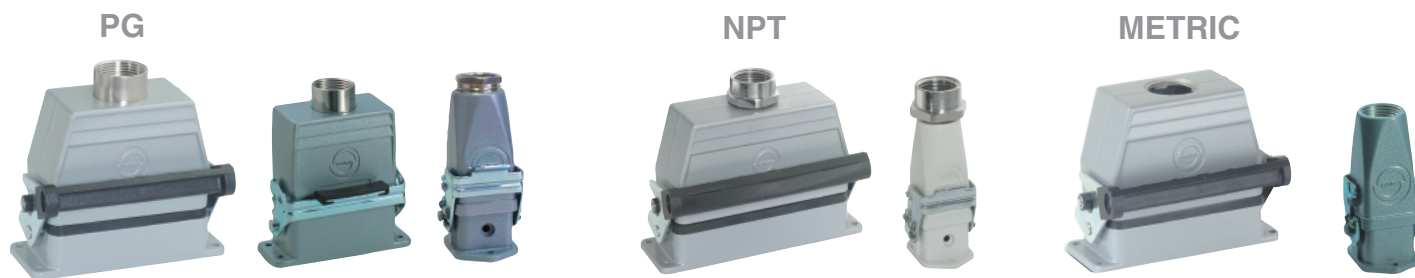


Housings

Specifications: DIN 43652
Temperature Range: -40°C to +125°C
Protection class: NEMA 4, NEMA 12, IP65
Material: NEMA 4 & NEMA 12:
 HBE 6 - 48, HA 10 - 64:
 aluminum alloy, powder coated (grey), locking levers and bolts made of zinc plated steel.
 HA 3/4: Die cast zinc, powder coated or thermoplastic flame retardant material rated UL 94 V-0 (Grey or Black Plastic).
 * NEMA 4X rated EP housings are available for many housing series and configurations. Consult for availability and pricing



STANDARD GREY (NEMA 4, IP 65)



** Please note that all the rectangular plugs and receptacles either fit into a HBE or HA Series housing.

HOUSINGS	PLUGS & RECEPTACLES										
	HBE	HA	HQ	STA	HEE	HBS	HBVE	HD	HDD	MC	Mixed Pwr
HBE 6	HBE 6				HEE 10				HDD 24	2 Modules	
HBE 10	HBE 10				HEE 18	HBS 6	HBVE 3		HDD 42	3 Modules	
HBE 16	HBE 16				HEE 32		HBVE 6	HD 40	HDD 72	5 Modules	4 Pwr/ 0 Sgl, 4 Pwr/ 2 Sgl
HBE 24	HBE 24				HEE 46	HBS 12	HBVE 10	HD 64	HDD 108	7 Modules	4 Pwr/8 Sgl
HBE 32	HBE 32				HEE 64			HD 80	HDD 144	10 Modules	
HBE 48	HBE 48				HEE 92			HD 128	HDD 216	14 Modules	
HA 3/4		HA 3/4	HQ 5	STA 6				HD 7/8			
HA 10		HA 10		STA 14				HD 15			
HA 16		HA 16		STA 20				HD 25			
HA 32		HA 32		STA 40				HD 50			
HA 48		HA 48									
HA 64		HA 64									

EPIC® rectangular connectors shall comply with all applicable requirements of Underwriters Laboratory (UL) Standards 1977 and 498, VDE Standard 0110 for creepage and clearance distances and VDE Standard 0627 for the connector design. The HD and HDD series is developed according to DIN Standard 43652.

The recognized UL file number and Canadian Standards Associations (CSA) for EPIC® CONTACT® connectors are:
 UL recognized file #E75770
 CSA certified file #LR53004-1

EPIC® connectors meet IP 65, NEMA 4, 4X and NEMA 12 standards only when in the mated condition.

EPIC® Rectangular Connectors

Complete your Installation with a SKINTOP®

Your installation can be completed with an SKINTOP®. EPIC® Connectors mate with SKINTOPS® without locknuts. Use of tapered (NPT) threads is not recommended with EPIC® Rectangular Connectors

SKINTOP® SL: PG Liquid Tight Non-Metallic Strain Relief Connector



For additional information, see page 488.

Part Number		Thread Type & Size
without Locknut	with Locknut	
53015130	S1113	PG-13
53015140	S1116	PG-16
53015150	S1121	PG-21
53015160	S1129	PG-29
53015170	S1136	PG-36
53015180	S1142	PG-42

SKINTOP® MS: PG Liquid Tight Metallic Strain Relief Connector



For additional information, see page 500.

Part Number	Thread Type & Size
52015730	PG-13
52015740	PG-16
52015750	PG-21
52015760	PG-29
52015765	PG-36
52015766	PG-42

SKINTOP® SLM: Metric Liquid Tight Non-Metallic Strain Relief Connector



For additional information, see page 489.

Part Number		Thread Type & Size
without Locknut	with Locknut	
53111020	S1513	M-20X1.5
53111030	S1516	M-25X1.5
53111040	S1521	M-32X1.5
53111050	S1529	M-40X1.5
53111060	S1536	M-50X1.5

SKINTOP® MS-M: Metric Metallic Strain Relief Connector



For additional information, see page 502.

Part Number	Thread Type & Size
53112020	M-20X1.5
53112030	M-25X1.5
53112040	M-32X1.5
53112050	M-40X1.5
53112060	M-50X1.5

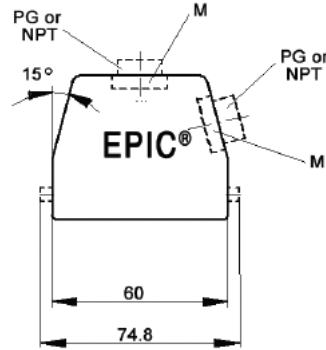
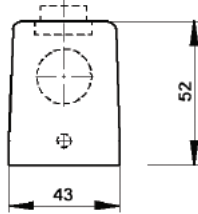
EPIC® Rectangular Connectors



HBE 6 Housings: Single Lever on Base

HOODS

TOP ENTRY



SIDE ENTRY



All dimensions are in mm.

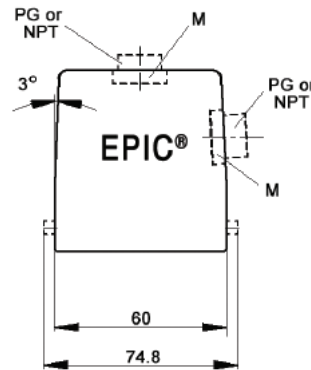
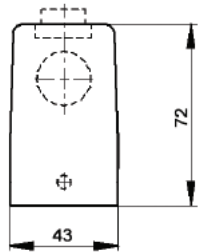
Specifications: DIN 43652
Temperature Range: -40°C to +125°C
Protection class: NEMA 4, NEMA 12, IP65
Material: Aluminum alloy, powder coated

Position of Cable Entry	Size of Entry			Part Numbers			Complete your installation with a SKINTOP®, Pg 352			
	PG	NPT	Metric	PG	NPT	Metric	PG- Nylon	PG- Metal	Metric- Nylon	Metric- Metal
Top Entry	13.5	1/2"	20	10011000	100110NP	19011000	53015130	52015700	53111020	53112020
	16	1/2"	25	10021000	100210NP	19021000	53015140	52015740	53111030	53112030
Side Entry	13.5	1/2"	20	10012000	100120NP	19012000	53015130	52015700	53111020	53112020
	16	1/2"	25	10022000	100220NP	19022000	53015140	52015740	53111030	53112030

Top Entry metric hoods do not come with a neck.

HIGH PROFILE HOODS

TOP ENTRY



SIDE ENTRY



All dimensions are in mm.

Specifications: DIN 43652
Temperature Range: -40°C to +125°C
Protection class: NEMA 4, NEMA 12, IP65
Material: Aluminum alloy, powder coated

Position of Cable Entry	Size of Entry			Part Numbers			Complete your installation with a SKINTOP®, Pg 352			
	PG	NPT	Metric	PG	NPT	Metric	PG- Nylon	PG- Metal	Metric- Nylon	Metric- Metal
Top Entry	21	3/4"	25	70020200	700202NP	79020200	53015150	52015750	53111030	53112030
	29	1"	32	70020400	700204NP	79020400	53015160	52015760	53111040	53112040
Side Entry	21	3/4"	25	70022200	700222NP	79022200	53015150	52015750	53111030	53112030
	29	1"	32	70022400	700224NP	79022400	53015160	52015760	53111040	53112040

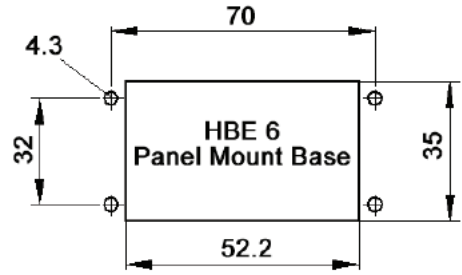
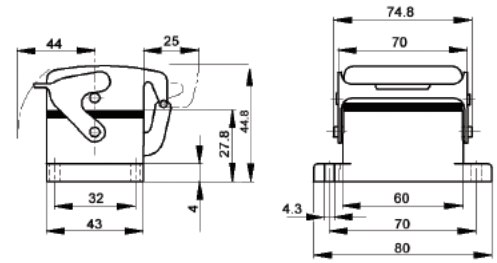
High Profile Metric hoods do not come with a neck.

EPIC® Rectangular Connectors



HBE 6 Housings: Single Lever on Base

PANEL MOUNT BASES

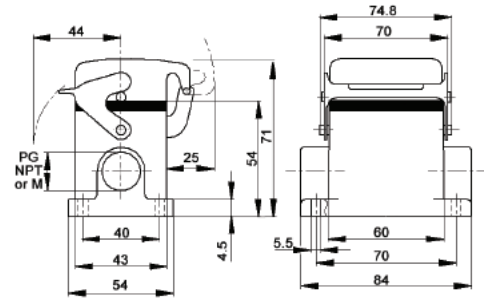


All dimensions are in mm.

Specifications: DIN 43652
Temperature Range: -40°C to +125°C
Protection class: NEMA 4, NEMA 12, IP65
Material: Aluminum alloy, powder coated

Description	Part Numbers
Panel Mount without Dust Cover	10003000
Panel Mount with Dust Cover	10004000

SURFACE MOUNT BASES



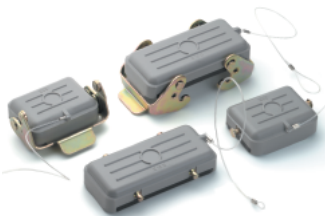
Specifications: DIN 43652
Temperature Range: -40°C to +125°C

All dimensions are in mm.

Protection class: NEMA 4, NEMA 12, IP65
Material: Aluminum alloy, powder coated

# of Entries	Size of Entry			Part Numbers			Complete your installation with a SKINTOP®, Pg 352			
	PG	NPT	Metric	PG	NPT	Metric	PG- Nylon	PG-Metric	Metric- Nylon	Metric- Metal
2 Entries	16	1/2"	20	10006000	100060NP	19006000	53015140	52015740	53111020	53112020
1 Entry	16	1/2"	20	10005000	100050NP	19005000	53015140	52015740	53111020	53112020
	-	-	25	-	-	79005600	-	-	53111030	53112030
2 Entries with dust cover	16	1/2"	20	10009000	100090NP	19009000	53015140	52015740	53111020	53112020
	-	-	25	-	-	79016600	-	-	53111030	53112030
1 Entry with dust cover	16	1/2"	20	10007000	100070NP	19007000	53015140	52015740	53111020	53112020
	-	-	25	-	-	79015600	-	-	53111030	53112030

DUST COVERS WITH ATTACHMENT STRING



Material: Thermoplastic Resin

Temperature: -40°C to 125°C

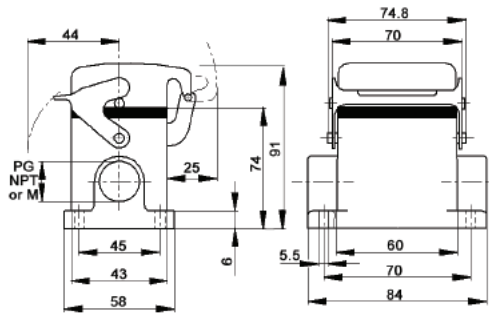
	Part #
Dust cover with single lever and gasket for HBE 6 Hoods	10016500
Dust cover with single lever bolts for HBE 6 Panel Mount or Surface Mount Base/ Cable Coupler Hood	10015000

EPIC® Rectangular Connectors



HBE 6 Housings: Single Lever on Base

HIGH PROFILE SURFACE MOUNT BASES



All dimensions are in mm.



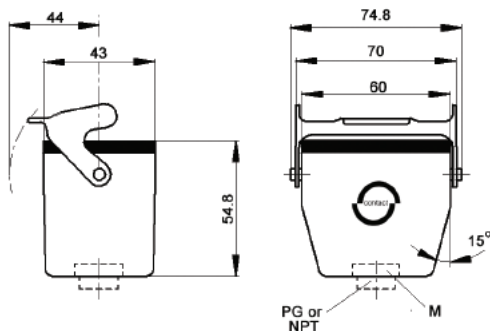
Specifications: DIN 43652
Temperature Range: -40°C to +125°C

Protection class: NEMA 4, NEMA 12, IP65
Material: Aluminum alloy, powder coated

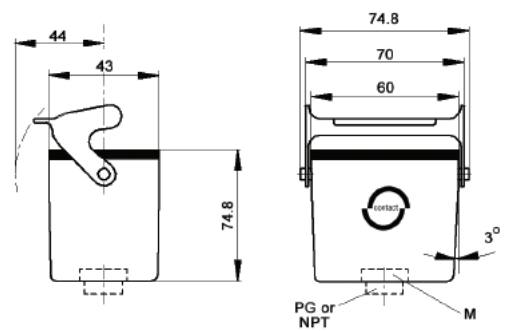
# of Entries	Size of Entry			Part Numbers			Complete your installation with a SKINTOP®, Pg 352			
	PG	NPT	Metric	PG	NPT	Metric	PG- Nylon	PG- Metric	Metric- Nylon	Metric- Metal
2 Entries	21	3/4"	25	70006200	700062NP	79006200	53015150	52015750	53111030	53112030
	29	1"	32	70006400	700064NP	79006400	53015160	52015760	53111040	53112040
1 Entry	21	3/4"	25	70005200	700052NP	79005200	53015150	52015750	53111030	53112030
	29	1"	32	70005400	700054NP	79005400	53015160	52015760	53111040	53112040
2 Entries with dust cover	21	3/4"	25	70016200	700162NP	79016200	53015150	52015750	53111030	53112030
	29	1"	32	700164C0	700164NP	79016400	53015160	52015760	53111040	53112040
1 Entry with dust cover	21	3/4"	25	70015200	700152NP	79015200	53015150	52015750	53111030	53112030
	29	1"	32	70015400	700154NP	79015400	53015160	52015760	53111040	53112040

CABLE COUPLER HOODS

STANDARD PROFILE



HIGH PROFILE



Specifications: DIN 43652
Temperature Range: -40°C to +125°C

Protection class: NEMA 4, NEMA 12, IP65
Material: Aluminum alloy, powder coated

Profile	Size of Entry			Part Numbers			Complete your installation with a SKINTOP®, Pg 352			
	PG	NPT	Metric	PG	NPT	Metric	PG- Nylon	PG- Metal	Metric- Nylon	Metric- Metal
Standard Profile	13.5	3/4"	25	100140C0	100140NP	19014000	53015150	52015750	53111030	53112030
	16	1"	32	100240C0	100240NP	19024000	53015160	52015760	53111040	53112040
High Profile	21	3/4"	25	70010200	700102NP	79010200	53015150	52015750	53111030	53112030
	29	1"	32	70010400	700104NP	79010400	53015160	52015760	53111040	53112040

Cable coupler metric hoods do not come with a neck.

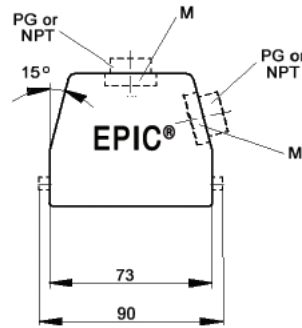
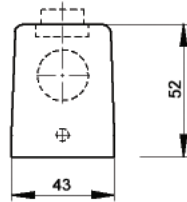
EPIC® Rectangular Connectors



HBE 10 Housings: Single Lever on Base

HOODS

TOP ENTRY



SIDE ENTRY



All dimensions are in mm.

Specifications: DIN 43652
Temperature Range: -40°C to +125°C

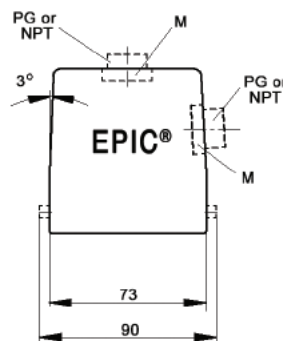
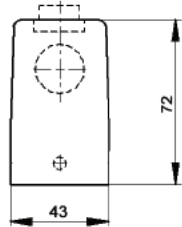
Protection class: NEMA 4, NEMA 12, IP65
Material: Aluminum alloy, powder coated

Position of Cable Entry	Size of Entry			Part Numbers			Complete your installation with a SKINTOP®, Pg 352			
	PG	NPT	Metric	PG	NPT	Metric	PG- Nylon	PG- Metal	Metric- Nylon	Metric- Metal
Top Entry	16	1/2"	20	10040900	100409NP	19040900	53015140	52015740	53111020	53112020
	21	3/4"	25	10040700	100407NP	19040700	53015150	52015750	53111030	53112030
Side Entry	16	1/2"	20	10042900	100429NP	19042900	53015140	52015740	53111020	53112020
	21	3/4"	25	10042800	100428NP	19042800	53015150	52015750	53111030	53112030

Top Entry metric hoods do not come with a neck.

HIGH PROFILE HOODS

TOP ENTRY



SIDE ENTRY



All dimensions are in mm.

Specifications: DIN 43652
Temperature Range: -40°C to +125°C

Protection class: NEMA 4, NEMA 12, IP65
Material: Aluminum alloy, powder coated

Position of Cable Entry	Size of Entry			Part Numbers			Complete your installation with a SKINTOP®, Pg 352			
	PG	NPT	Metric	PG	NPT	Metric	PG- Nylon	PG- Metal	Metric- Nylon	Metric- Metal
Top Entry	21	3/4"	25	70044200	700442NP	79044200	53015150	52015750	53111030	53112030
	29	1"	32	70044400	700444NP	79044400	53015160	52015760	53111040	53112040
Side Entry	21	3/4"	25	70054200	700542NP	79054200	53015150	52015750	53111030	53112030
	29	1"	32	70054400	700544NP	79054400	53015160	52015760	53111040	53112040

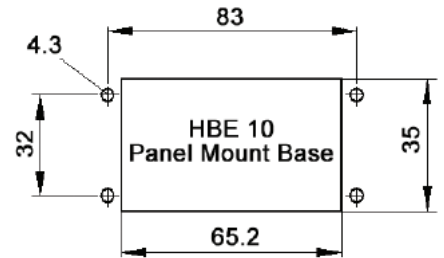
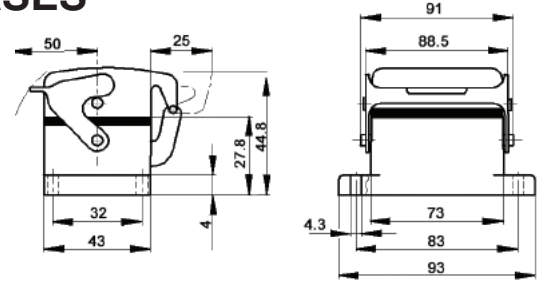
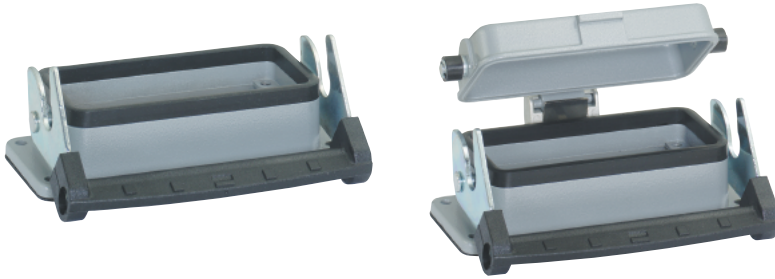
High Profile Metric hoods do not come with a neck.

EPIC® Rectangular Connectors



HBE 10 Housings: Single Lever on Base

PANEL MOUNT BASES

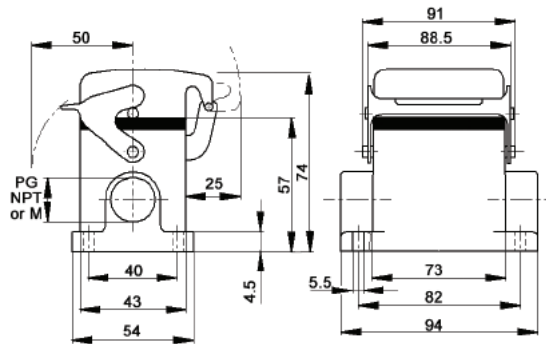
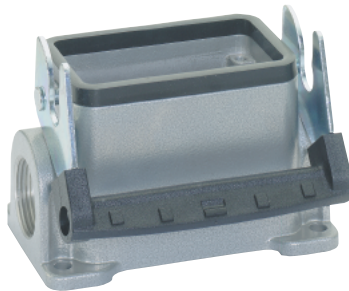


Specifications: DIN 43652
Temperature Range: -40°C to +125°C
Protection class: NEMA 4, NEMA 12, IP65
Material: Aluminum alloy, powder coated

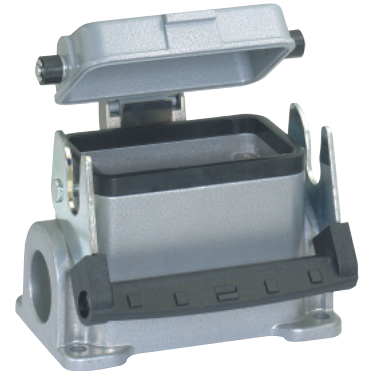
Description	Part Numbers
Panel Mount without Dust Cover	10032900
Panel Mount with Dust Cover	10033900

All dimensions are in mm.

SURFACE MOUNT BASES



All dimensions are in mm.



Specifications: DIN 43652
Temperature Range: -40°C to +125°C

Protection class: NEMA 4, NEMA 12, IP65
Material: Aluminum alloy, powder coated

# of Entries	Size of Entry			Part Numbers			Complete your installation with a SKINTOP®, Pg 352			
	PG	NPT	Metric	PG	NPT	Metric	PG- Nylon	PG- Metal	Metric- Nylon	Metal
2 Entries	16	1/2"	20	10035900	100359NP	19035900	53015140	52015740	53111020	53112020
1 Entry	16	1/2"	20	10034900	100349NP	19034900	53015140	52015740	53111020	53112020
	21	3/4"	25	10034700	100347NP	19034700	53015150	52015750	53111030	53112030
2 Entries w/ dust cover	16	1/2"	20	10038900	100389NP	19038900	53015140	52015740	53111020	53112020
1 Entry with dust cover	16	1/2"	20	10036900	100369NP	19036900	53015140	52015740	53111020	53112020

DUST COVERS WITH ATTACHMENT STRING



Material: Thermoplastic Resin

Temperature: -40°C to 125°C

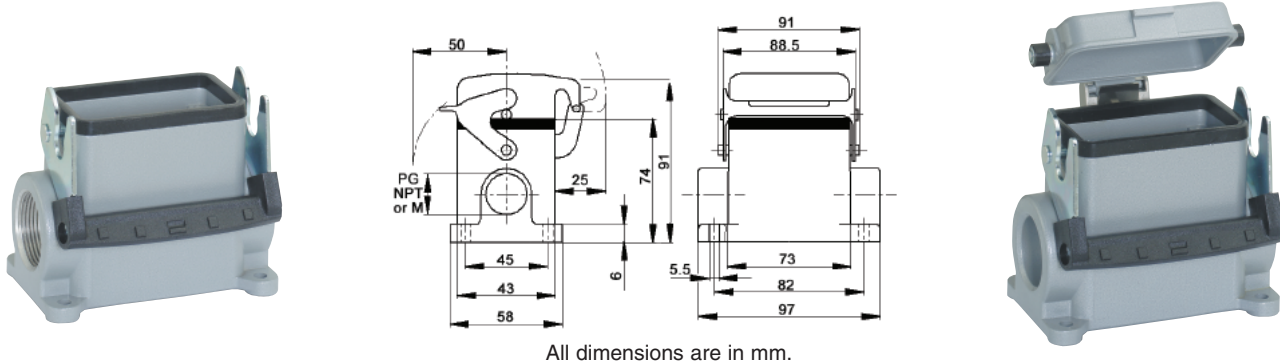
	Part #
Dust cover with single lever for HBE 10 Hoods	10048600
Dust cover with single lever bolts for HBE 10 Panel Mount or Surface Mount Base/ Cable Coupler Hood	10048700

EPIC® Rectangular Connectors



HBE 10 Housings: Single Lever on Base

HIGH PROFILE SURFACE MOUNT BASES



All dimensions are in mm.

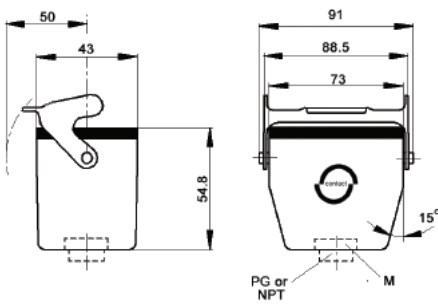
Specifications: DIN 43652
Temperature Range: -40°C to +125°C

Protection class: NEMA 4, NEMA 12, IP65
Material: Aluminum alloy, powder coated

# of Entries	Size of Entry			Part Numbers			Complete your installation with a SKINTOP®, Pg 352			
	PG	NPT	Metric	PG	NPT	Metric	PG- Nylon	PG- Metric	Metric- Nylon	Metric- Metal
2 Entries	21	3/4"	25	70061200	700612NP	79061200	53015150	52015750	53111030	53112030
	29	1"	32	70061400	700614NP	79061400	53015160	52015760	53111040	53112040
1 Entry	21	3/4"	25	70060200	700602NP	79060200	53015150	52015750	53111030	53112030
	29	1"	32	70060400	700604NP	79060400	53015160	52015760	53111040	53112040
2 Entries with dust cover	21	3/4"	25	70065200	700652NP	79065200	53015150	52015750	53111030	53112030
	29	1"	32	70065400	700654NP	79065400	53015160	52015760	53111040	53112040
1 Entry with dust cover	21	3/4"	25	70064200	700642NP	79064200	53015150	52015750	53111030	53112030
	29	1"	32	70064400	700644NP	79064400	53015160	52015760	53111040	53112040

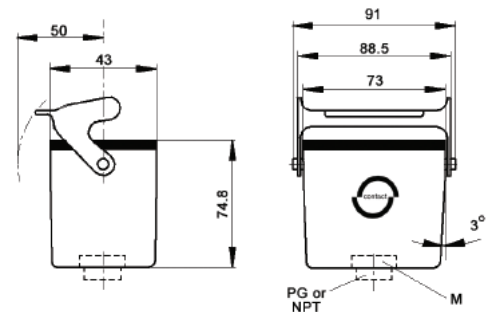
CABLE COUPLER HOODS

STANDARD PROFILE



Specifications: DIN 43652
Temperature Range: -40°C to +125°C

HIGH PROFILE



Protection class: NEMA 4, NEMA 12, IP65
Material: Aluminum alloy, powder coated

Profile	Size of Entry			Part Numbers			Complete your installation with a SKINTOP®, Pg 352			
	PG	NPT	Metric	PG	NPT	Metric	PG- Nylon	PG- Metal	Metric- Nylon	Metric- Metal
Standard Profile	16	1/2"	20	10046900	100469NP	19046900	53015140	52015740	53111020	53112030
	21	3/4"	25	70042200	700422NP	79042200	53015150	52015750	53111030	53112030
High Profile	21	3/4"	25	70042400	700424NP	79042400	53015150	52015750	53111030	53112030
	29	1"	32	70042600	700426NP	79042600	53015160	52015760	53111040	53112040

Cable coupler metric hoods do not come with a neck.

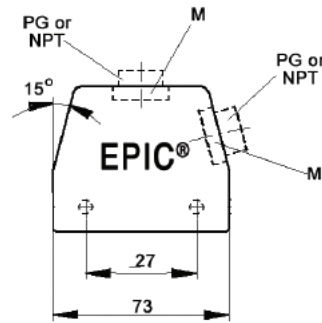
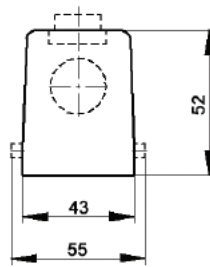
EPIC® Rectangular Connectors



HBE 10 Housings: Double Levers on Base

HOODS

TOP ENTRY



SIDE ENTRY



All dimensions are in mm.

Specifications: DIN 43652
Temperature Range: -40°C to +125°C

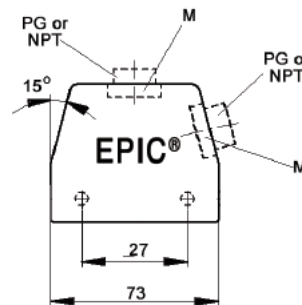
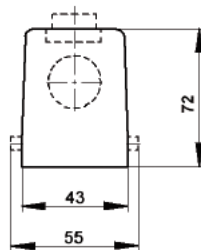
Protection class: NEMA 4, NEMA 12, IP65
Material: Aluminum alloy, powder coated

Position of Cable Entry	Size of Entry			Part Numbers			Complete your installation with a SKINTOP®, Pg 352			
	PG	NPT	Metric	PG	NPT	Metric	PG- Nylon	PG- Metal	Metric- Nylon	Metric- Metal
Top Entry	16	1/2"	20	100400	100400NP	19040000	53015140	52015740	53111020	53112020
	21	3/4"	25	100401	100401NP	19040100	53015150	52015750	53111030	53112030
Side Entry	16	1/2"	20	100420	100420NP	19042000	53015140	52015740	53111020	53112020
	21	3/4"	25	100421	100421NP	19042100	53015150	52015750	53111030	53112030

Top Entry Metric hoods do not come with a neck.

HIGH PROFILE HOODS

TOP ENTRY



SIDE ENTRY



All dimensions are in mm.

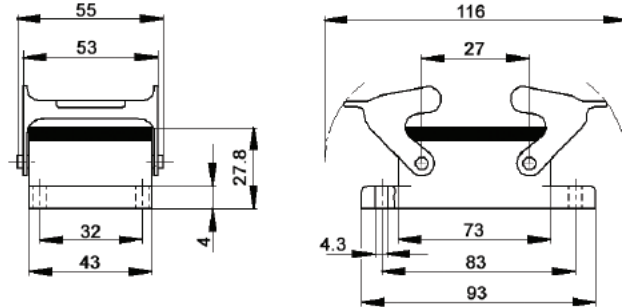
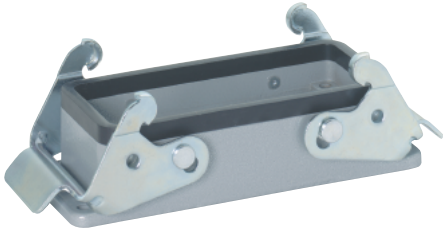
Specifications: DIN 43652
Temperature Range: -40°C to +125°C

Protection class: NEMA 4, NEMA 12, IP65
Material: Aluminum alloy, powder coated

Position of Cable Entry	Size of Entry			Part Numbers			Complete your installation with a SKINTOP®, Pg 352			
	PG	NPT	Metric	PG	NPT	Metric	PG- Nylon	PG- Metal	Metric- Nylon	Metric- Metal
Top Entry	21	3/4"	25	700504	700504NP	79050400	53015150	52015750	53111030	53112030
	29	1"	32	700506	700506NP	79050600	53015160	52015760	53111040	53112040
Side Entry	21	3/4"	25	700524	700524NP	79052400	53015150	52015750	53111030	53112030
	29	1"	32	700526	700526NP	79052600	53015160	52015760	53111040	53112040

High Profile Metric hoods do not come with a neck.

PANEL MOUNT BASES

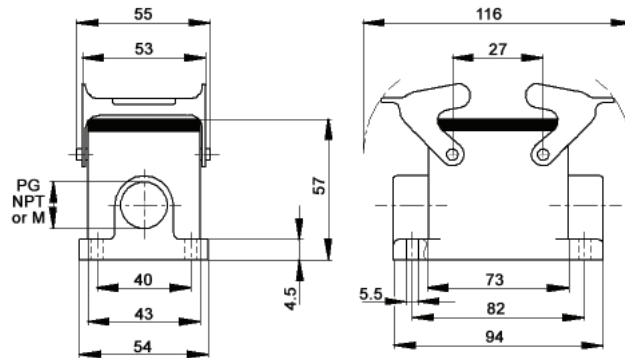
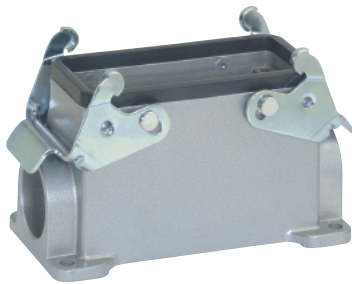


All dimensions are in mm.

Specifications: DIN 43652
Temperature Range: -40°C to +125°C
Protection class: NEMA 4, NEMA 12, IP65
Material: Aluminum alloy, powder coated

Description	Part Numbers
Panel Mount without Dust Cover	100320C0

SURFACE MOUNT BASES

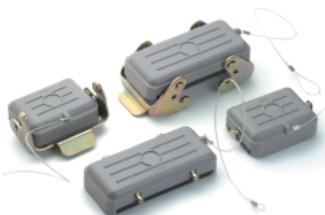


All dimensions are in mm.

Specifications: DIN 43652
Temperature Range: -40°C to +125°C
Protection class: NEMA 4, NEMA 12, IP65
Material: Aluminum alloy, powder coated

# of Entries	Size of Entry			Part Numbers			Complete your installation with a SKINTOP®, Pg 352			
	PG	NPT	Metric	PG	NPT	Metric	PG- Nylon	PG- Metal	Metric- Nylon	Metric- Metal
2 Entries without cover	16	1/2"	20	100350C0	100350NP	19035000	53015140	52015740	53111020	53112020
	-	-	25	-	-	19035100	-	-	53111030	53112030
1 Entry without dust cover	16	1/2"	20	100340C0	100340NP	19034000	53015140	52015740	53111020	53112020
	-	-	25	-	-	19034100	-	-	53111030	53112030

DUST COVERS WITH ATTACHMENT STRING



Material: Thermoplastic Resin **Temperature:** -40°C to +125°C

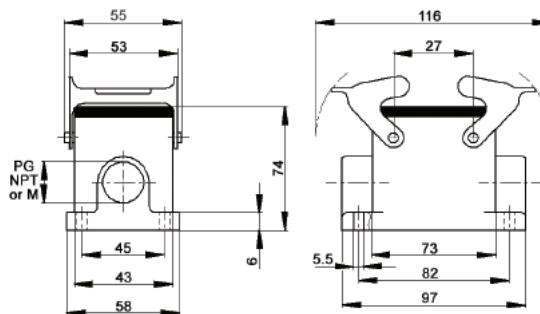
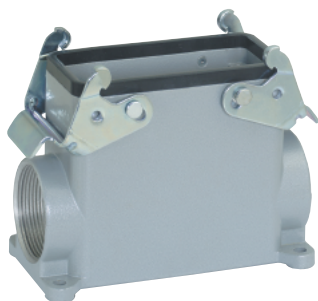
Description	Part #
Dust cover with double levers and gasket for HBE 10 Hoods	10048500
Dust cover with double lever bolts for HBE 10 Panel Mount or Surface Mount Base/ Cable Coupler Hood	10047000
Dust cover with double lever bolts and gasket for HBE 10 Hoods	10047100

EPIC® Rectangular Connectors



HBE 10 Housings: Double Levers on Base

HIGH PROFILE SURFACE MOUNT BASES



All dimensions are in mm.

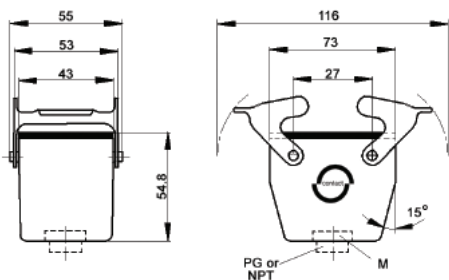
Specifications: DIN 43652
Temperature Range: -40°C to +125°C

Protection class: NEMA 4, NEMA 12, IP65
Material: Aluminum alloy, powder coated

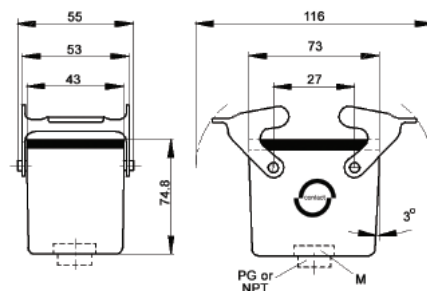
# of Entries	Size of Entry			Part Numbers			Complete your installation with a SKINTOP®, Pg 352			
	PG	NPT	Metric	PG	NPT	Metric	PG- Nylon	PG- Metal	Metric- Nylon	Metric- Metal
2 Entries without cover	21	3/4"	25	70036200	700362NP	79036200	53015150	52015750	53111030	53112030
	29	1"	32	70036400	700364NP	79036400	53015160	52015760	53111040	53112040
1 Entry without dust cover	21	3/4"	25	70035200	700352NP	79035200	53015150	52015750	53111030	53112030
	29	1"	32	70035400	700354NP	79035400	53015160	52015760	53111040	53112040

CABLE COUPLER HOODS

STANDARD PROFILE



HIGH PROFILE



All dimensions are in mm.

Specifications: DIN 43652
Temperature Range: -40°C to +125°C

Protection class: NEMA 4, NEMA 12, IP65
Material: Aluminum alloy, powder coated

Profile	Size of Entry			Part Numbers			Complete your installation with a SKINTOP®, Pg 352			
	PG	NPT	Metric	PG	NPT	Metric	PG- Nylon	PG- Metal	Metric- Nylon	Metric- Metal
Standard Profile	16	1/2"	20	100460C0	100460NP	19046000	53015140	52015740	53111020	53112030
	21	3/4"	25	70040200	700402NP	79040200	53015150	52015750	53111030	53112030
High Profile	21	3/4"	25	70040400	700404NP	79040400	53015150	52015750	53111030	53112030
	29	1"	32	70040600	700406NP	79040600	53015160	52015760	53111040	53112040

Metric hoods do not come with a neck.

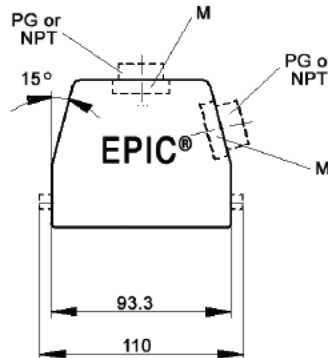
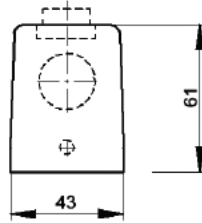
EPIC® Rectangular Connectors



HBE 16 Housings: Single Lever on Base

HOODS

TOP ENTRY



SIDE ENTRY



All dimensions are in mm.

Specifications: DIN 43652
Temperature Range: -40°C to +125°C

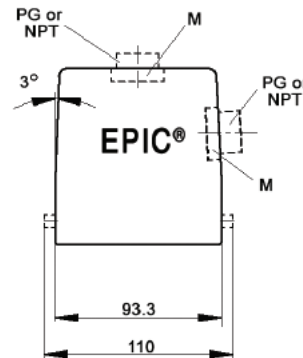
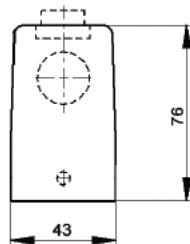
Protection class: NEMA 4, NEMA 12, IP65
Material: Aluminum alloy, powder coated

Position of Cable Entry	Size of Entry			Part Numbers			Complete your installation with a SKINTOP®, Pg 352			
	PG	NPT	Metric	PG	NPT	Metric	PG- Nylon	PG- Metal	Metric- Nylon	Metric- Metal
Top Entry	21	3/4"	25	10080900	100809NP	19080900	53015150	52015750	53111030	53112030
Side Entry	21	3/4"	25	10082900	100829NP	19082900	53015150	52015750	53111030	53112030
	29	1"	32	10092900	100929NP	19092900	53015160	52015760	53111040	53112040

Top Entry Metric hoods do not come with a neck.

HIGH PROFILE HOODS

TOP ENTRY



SIDE ENTRY



All dimensions are in mm.

Specifications: DIN 43652
Temperature Range: -40°C to +125°C

Protection class: NEMA 4, NEMA 12, IP65
Material: Aluminum alloy, powder coated

Position of Cable Entry	Size of Entry			Part Numbers			Complete your installation with a SKINTOP®, Pg 352			
	PG	NPT	Metric	PG	NPT	Metric	PG- Nylon	PG- Metal	Metric- Nylon	Metric- Metric
Top Entry	21	3/4"	25	70094200	700942NP	79094200	53015150	52015750	53111030	53112030
	29	1"	32	70094400	700944NP	79099400	53015160	52015760	53111040	53112040
	-	-	40	-	-	79094600	-	-	53111050	53112050
Side Entry	21	3/4"	25	70104200	701042NP	79104200	53015150	52015750	53111030	53112030
	29	1"	32	70104400	701044NP	79104400	53015160	52015760	53111040	53112040
	-	-	40	-	-	79104800	-	-	53111050	53112050

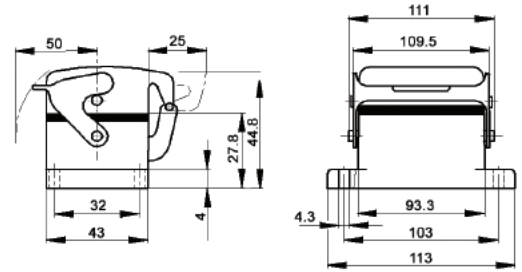
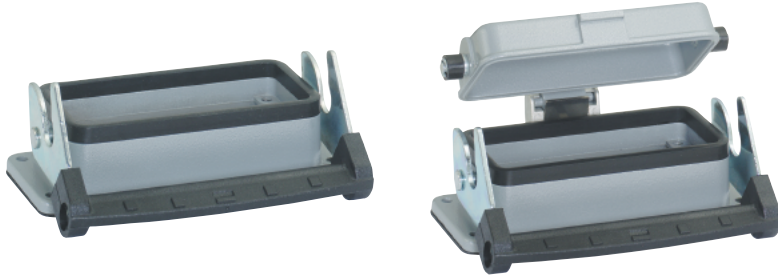
High Profile Metric hoods do not come with a neck.

EPIC® Rectangular Connectors

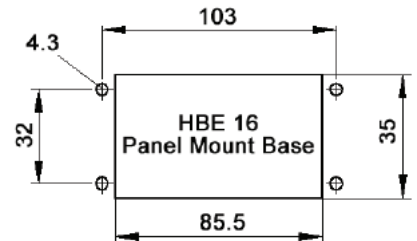


HBE 16 Housings: Single Lever on Base

PANEL MOUNT BASES



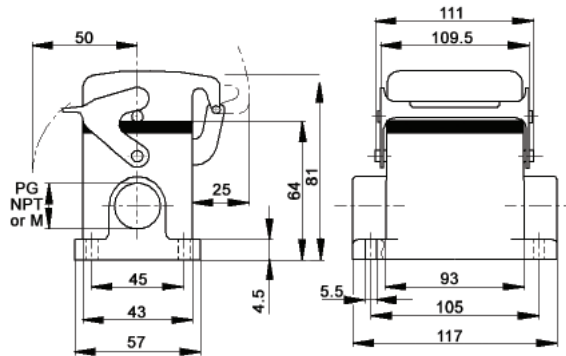
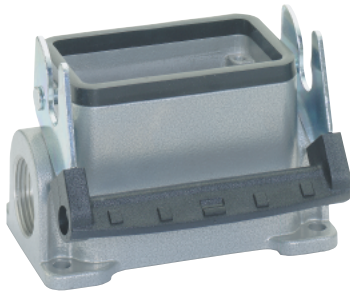
Specifications: DIN 43652
Temperature Range: -40°C to +125°C
Protection class: NEMA 4, NEMA 12, IP65
Material: Aluminum alloy, powder coated



Description	Part Numbers
Panel Mount without Dust Cover	100729C0
Panel Mount with Dust Cover	100739C0

All dimensions are in mm.

SURFACE MOUNT BASES



All dimensions are in mm.

Specifications: DIN 43652
Temperature Range: -40°C to +125°C

Protection class: NEMA 4, NEMA 12, IP65
Material: Aluminum alloy, powder coated

# of Entries	Size of Entry			Part Numbers			Complete your installation with a SKINTOP®, Pg 352			
	PG	NPT	Metric	PG	NPT	Metric	PG- Nylon	PG- Metal	Metric- Nylon	Metric- Metal
2 Entries	21	3/4"	25	100759C0	100759NP	19075900	53015150	52015750	53111030	53112030
1 Entry	21	3/4"	25	100749C0	100749NP	19074900	53015150	52015750	53111030	53112030
2 Entries w/ dust cover	21	3/4"	25	100789C0	100789NP	19078900	53015150	52015750	53111030	53112030
1 Entry with dust cover	21	3/4"	25	100769C0	100769NP	19076900	53015150	52015750	53111030	53112030

DUST COVERS WITH ATTACHMENT STRING



Material: Thermoplastic Resin

Temperature: -40°C to 125°C

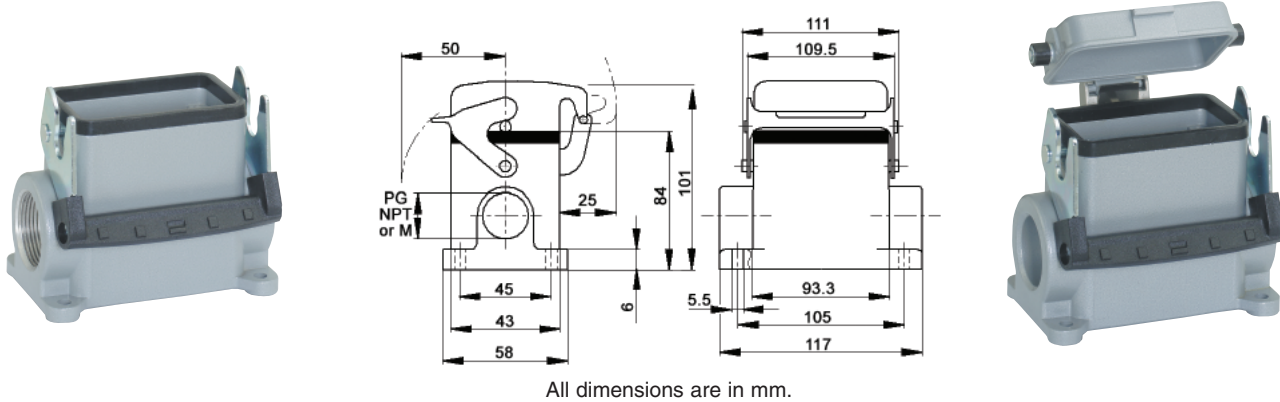
	Part #
Dust cover with single lever for HBE 16 Hoods	10088600
Dust cover with single lever bolts for HBE 16 Panel Mount or Surface Mount Base/ Cable Coupler Hood	10088700

EPIC® Rectangular Connectors



HBE 16 Housings: Single Lever on Base

HIGH PROFILE SURFACE MOUNT BASES



All dimensions are in mm.

Specifications: DIN 43652
Temperature Range: -40°C to +125°C

Protection class: NEMA 4, NEMA 12, IP65
Material: Aluminum alloy, powder coated

# of Entries	Size of Entry			Part Numbers			Complete your installation with a SKINTOP®			
	PG	NPT	Metric	PG	NPT	Metric	PG- Nylon	PG- Metal	Metric- Nylon	Metric- Metal
2 Entries	21	3/4"	25	701112C0	701112NP	79111200	53015150	52015750	53111030	53112030
	29	1"	32	701114C0	701114NP	79111400	53015160	52015760	53111040	53112040
1 Entry	21	3/4"	25	701102C0	701102NP	79110200	53015150	52015750	53111030	53112030
	29	1"	32	701104C0	701104NP	79110400	53015160	52015760	53111040	53112040
2 Entries with dust cover	21	3/4"	25	701152C0	701152NP	79115200	53015150	52015750	53111030	53112030
	29	1"	32	701154C0	701154NP	79115400	53015160	52015760	53111040	53112040
1 Entry with dust cover	21	3/4"	25	701142C0	701142NP	79114200	53015150	52015750	53111030	53112030
	29	1"	32	701144C0	701144NP	79114400	53015160	52015760	53111040	53112040

CABLE COUPLER HOODS

STANDARD PROFILE

HIGH PROFILE



Specifications: DIN 43652
Temperature Range: -40°C to +125°C

Protection class: NEMA 4, NEMA 12, IP65
Material: Aluminum alloy, powder coated

Position of Cable Entry	Size of Entry			Part Numbers			Complete your installation with a SKINTOP®			
	PG	NPT	Metric	PG	NPT	Metric	PG- Nylon	PG- Metal	Metric- Nylon	Metric- Metal
Standard Profile	21	3/4"	25	10086900	100869NP	19086900	53015150	52015750	53111030	53112030
High Profile	21	3/4"	25	70092200	700922NP	79092200	53015150	52015750	53111030	53112030
	29	1"	32	70092400	700924NP	79092400	53015160	52015760	53111040	53112040

Cable coupler metric hoods do not come with a neck.

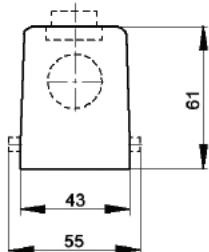
EPIC® Rectangular Connectors



HBE 16 Housings: Double Levers on Base

HOODS

TOP ENTRY



SIDE ENTRY



All dimensions are in mm.

Specifications: DIN 43652
Temperature Range: -40°C to +125°C

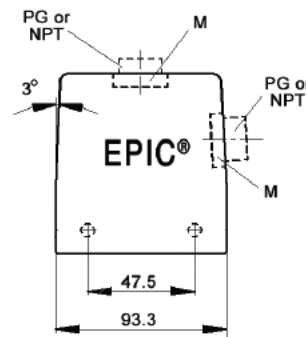
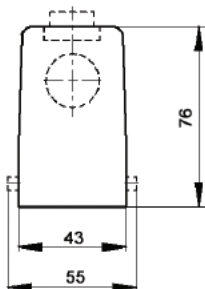
Protection class: NEMA 4, NEMA 12, IP65
Material: Aluminum alloy, powder coated

Position of Cable Entry	Size of Entry			Part Numbers			Complete your installation with a SKINTOP®, Pg 352			
	PG	NPT	Metric	PG	NPT	Metric	PG- Nylon	PG- Metal	Metric- Nylon	Metric- Metal
Top Entry	21	3/4"	25	100800C0	100800NP	19080000	53015150	52015750	53111030	53112030
	29	1"	32	100900C0	100900NP	19090000	53015160	52015760	53111040	53112040
Side Entry	21	3/4"	25	100820C0	100820NP	19082000	53015150	52015750	53111030	53112030
	29	1"	32	100920C0	100920NP	19092000	53015160	52015760	53111040	53112040

Top Entry metric hoods do not come with a neck.

HIGH PROFILE HOODS

TOP ENTRY



SIDE ENTRY



All dimensions are in mm.

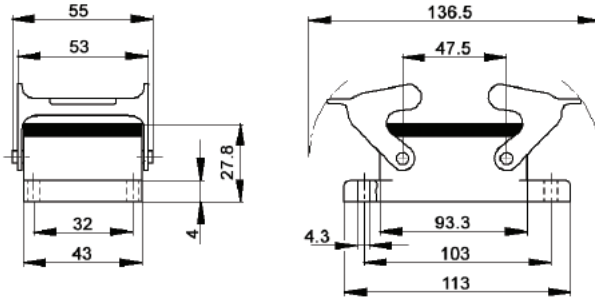
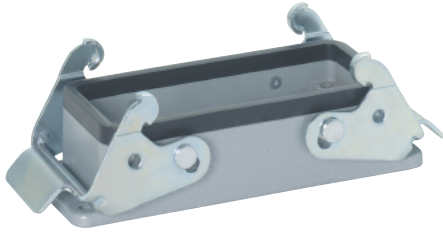
Specifications: DIN 43652
Temperature Range: -40°C to +125°C

Protection class: NEMA 4, NEMA 12, IP65
Material: Aluminum alloy, powder coated

Position of Cable Entry	Size of Entry			Part Numbers			Complete your installation with a SKINTOP®, Pg 352			
	PG	NPT	Metric	PG	NPT	Metric	PG- Nylon	PG- Metal	Metric- Nylon	Metric- Metal
Top Entry	21	3/4"	25	701002C0	701002NP	79100200	53015150	52015750	53111030	53112030
	29	1"	32	701004C0	701004NP	79100400	53015160	52015760	53111040	53111040
	-	-	40	-	-	79100800	-	-	53111050	53112050
Side Entry	21	3/4"	25	701022C0	701022NP	79102200	53015150	52015750	53111030	53112030
	29	1"	32	701024C0	701024NP	79102400	53015160	52015760	53111040	53111040
	-	-	40	-	-	79102800	-	-	53111050	53112050

High Profile Metric hoods do not come with a neck.

PANEL MOUNT BASES



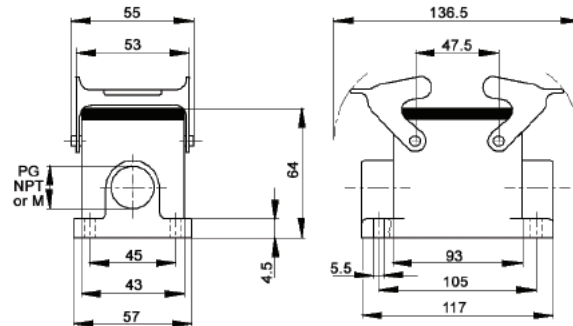
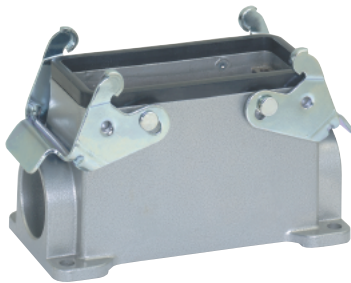
Specifications:
Temperature Range:
Protection class:
Material:

DIN 43652
 -40°C to +125°C
 NEMA 4, NEMA 12, IP65
 Aluminum alloy, powder coated

All dimensions are in mm.

Description	Part Numbers
Panel Mount without Dust Cover	100720C0

SURFACE MOUNT BASES



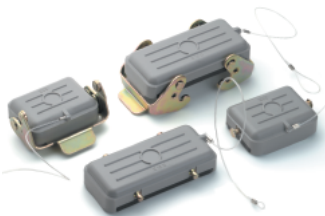
All dimensions are in mm.

Specifications: DIN 43652
Temperature Range: -40°C to +125°C

Protection class: NEMA 4, NEMA 12, IP65
Material: Aluminum alloy, powder coated

# of Entries	Size of Entry			Part Numbers			Complete your installation with a SKINTOP®, Pg 352			
	PG	NPT	Metric	PG	NPT	Metric	PG- Nylon	PG- Metal	Metric- Nylon	Metric- Metal
2 Entries	21	3/4"	25	100750C0	100750NP	19075000	53015150	52015750	53111030	53112030
1 Entry	21	3/4"	25	100740C0	100740NP	19074000	53015150	52015750	53111040	53112030

DUST COVERS WITH ATTACHMENT STRING



Material: Thermoplastic Resin

Temperature: -40°C to +125°C

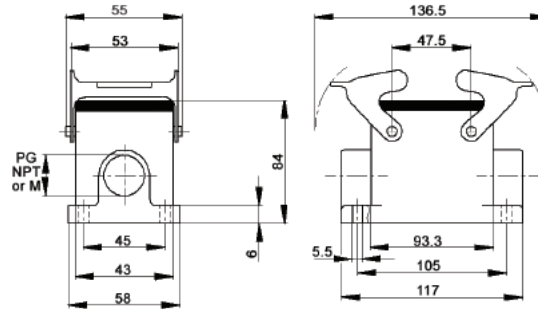
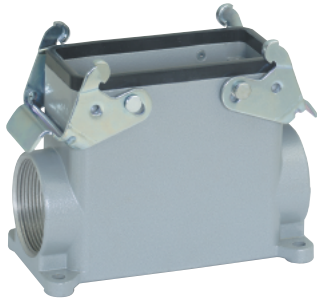
	Part #
Dust cover with double levers and gasket for HBE 16 Hoods	10088500
Dust cover with double lever bolts for HBE 16 Panel Mount or Surface Mount Base/ Cable Coupler Hood	10087000

EPIC® Rectangular Connectors



HBE 16 Housings: Double Levers on Base

HIGH PROFILE SURFACE MOUNT BASES



All dimensions are in mm.

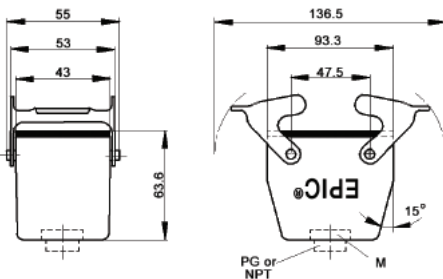
Specifications: DIN 43652
Temperature Range: -40°C to +125°C

Protection class: NEMA 4, NEMA 12, IP65
Material: Aluminum alloy, powder coated

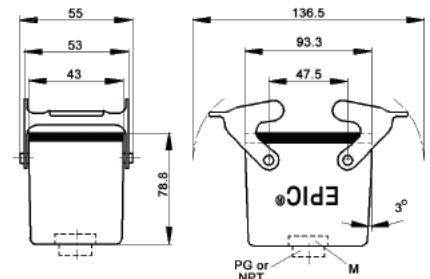
# of Entries	Size of Entry			Part Numbers			Complete your installation with a SKINTOP®, Pg 352			
	PG	NPT	Metric	PG	NPT	Metric	PG- Nylon	PG- Metal	Metric- Nylon	Metric- Metal
2 Entries without cover	21	3/4"	25	700862C0	700862NP	79086200	53015150	52015750	53111030	53112030
	29	1"	32	700864C0	700864NP	79086400	53015160	52015760	53111040	53112040
1 Entry without dust cover	21	3/4"	25	70085200	700852NP	79085200	53015150	52015750	53111030	53112030
	29	1"	32	700854C0	700854NP	79085400	53015160	52015760	53111040	53112040

CABLE COUPLER HOODS

STANDARD PROFILE



HIGH PROFILE



All dimensions are in mm.

Specifications: DIN 43652
Temperature Range: -40°C to +125°C

Protection class: NEMA 4, NEMA 12, IP65
Material: Aluminum alloy, powder coated

Profile	Size of Entry			Part Numbers			Complete your installation with a SKINTOP®, Pg 352			
	PG	NPT	Metric	PG	NPT	Metric	PG- Nylon	PG- Metal	Metric- Nylon	Metric- Metal
Standard Profile	21	3/4"	25	100860C0	100860NP	19086000	53015150	52015750	53111030	53112030
High Profile	21	3/4"	25	700902C0	700902NP	79090200	53015150	52015750	53111030	53112030
	29	1"	32	700904C0	700904NP	79090400	53015160	52015760	53111040	53112040

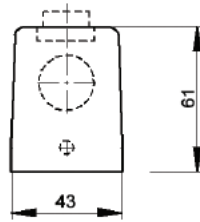
Cable Coupler Metric hoods do not come with a neck.

EPIC® Rectangular Connectors

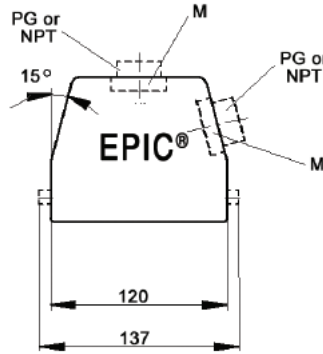


HBE 24 Housings: Single Lever on Base

TOP ENTRY



HOODS



SIDE ENTRY



All dimensions are in mm.

Specifications: DIN 43652
Temperature Range: -40°C to +125°C

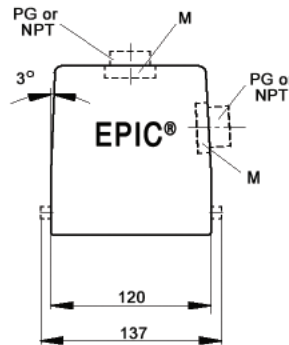
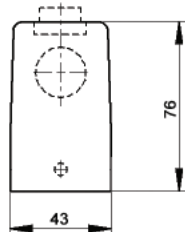
Protection class: NEMA 4, NEMA 12, IP65
Material: Aluminum alloy, powder coated

Position of Cable Entry	Size of Entry			Part Numbers			Complete your installation with a SKINTOP®, Pg 352			
	PG	NPT	Metric	PG	NPT	Metric	PG- Nylon	PG- Metal	Metric- Nylon	Metric- Metal
Top Entry	21	3/4"	25	10121900	101219NP	19121900	53015150	52015750	53111030	53112030
	29	1"	32	10111900	101119NP	19111900	53015160	52015760	53111040	53112040
Side Entry	21	3/4"	25	10113900	101139NP	19113900	53015150	52015750	53111030	53112030
	29	1"	32	10123900	101239NP	19123900	53015160	52015760	53111040	53112040

Top Entry Metric hoods do not come with a neck.

HIGH PROFILE HOODS

TOP ENTRY



SIDE ENTRY



All dimensions are in mm.

Specifications: DIN 43652
Temperature Range: -40°C to +125°C

Protection class: NEMA 4, NEMA 12, IP65
Material: Aluminum alloy, powder coated

Position of Cable Entry	Size of Entry			Part Numbers			Complete your installation with a SKINTOP®, Pg 352			
	PG	NPT	Metric	PG	NPT	Metric	PG- Nylon	PG- Metal	Metric- Nylon	Metric- Metal
Top Entry	21	3/4"	25	70144400	701444NP	79144400	53015150	52015750	53111030	53112030
	29	1"	32	70144600	701446NP	79144600	53015160	52015760	53111040	53111040
	-	-	40	-	-	79144800	-	-	53111050	53112050
Side Entry	21	3/4"	25	70154400	701544NP	79154400	53015150	52015750	53111030	53112030
	29	1"	32	70154600	701546NP	79154600	53015160	52015760	53111040	53111040
	-	-	40	-	-	79154800	-	-	53111050	53112050

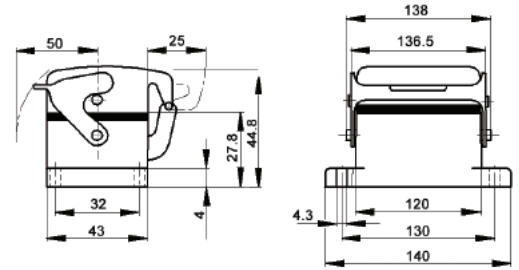
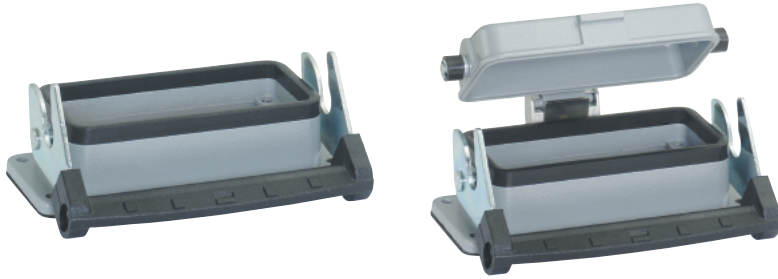
High Profile Metric hoods do not come with a neck.

EPIC® Rectangular Connectors



HBE 24 Housings: Single Lever on Base

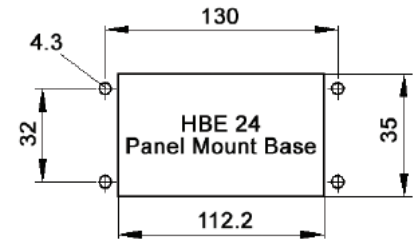
PANEL MOUNT BASES



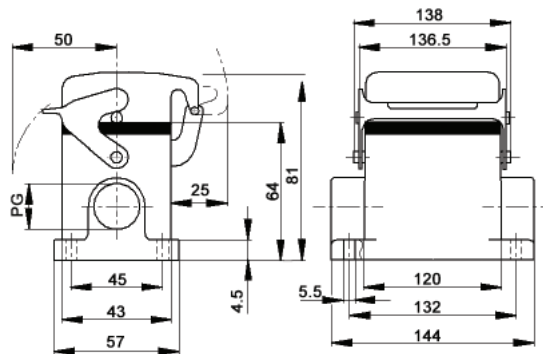
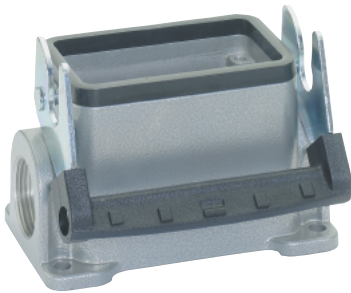
Specifications: DIN 43652
 Temperature Range: -40°C to +125°C
 Protection class: NEMA 4, NEMA 12, IP65
 Material: Aluminum alloy, powder coated

Description	Part Numbers
Panel Mount without Dust Cover	10102900
Panel Mount with Dust Cover	10103900

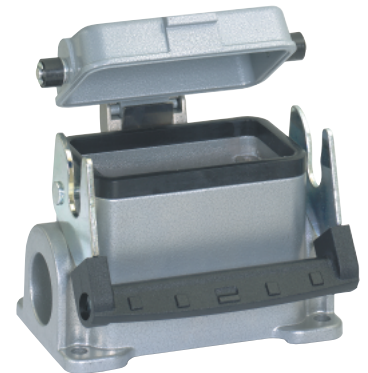
All dimensions are in mm.



SURFACE MOUNT BASES



All dimensions are in mm.



Specifications: DIN 43652
 Temperature Range: -40°C to +125°C

Protection class: NEMA 4, NEMA 12, IP65
 Material: Aluminum alloy, powder coated

# of Entries	Size of Entry			Part Numbers			Complete your installation with a SKINTOP®, Pg 352			
	PG	NPT	Metric	PG	NPT	Metric	PG- Nylon	PG- Metal	Metric- Nylon	Metric- Metal
2 Entries	21	3/4"	25	101059C0	101059NP	19105900	53015150	52015750	53111030	53112030
1 Entry	21	3/4"	25	101049C0	101049NP	19104900	53015150	52015750	53111030	53112030
2 Entries w/ dust cover	21	3/4"	25	101099C0	101099NP	19109900	53015150	52015750	53111030	53112030
1 Entry with dust cover	21	3/4"	25	101079C0	101079NP	19107900	53015150	52015750	53111030	53112040

DUST COVERS WITH ATTACHMENT STRING

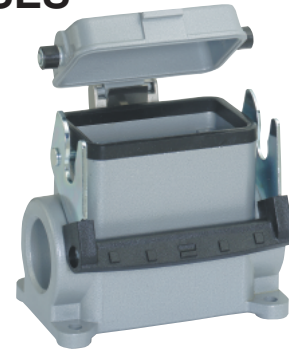
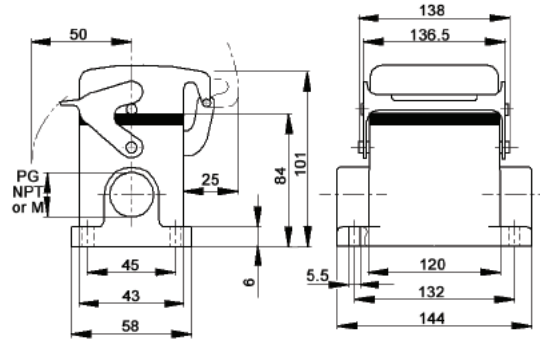
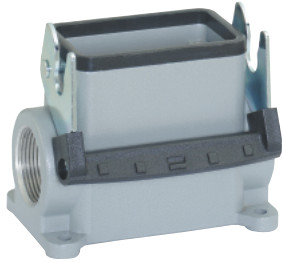


Material: Thermoplastic Resin

Temperature: -40°C to 125°C

	Part #
Dust cover with single lever for HBE 24 Hoods	10118600
Dust cover with single lever bolts for HBE 24 Panel Mount or Surface Mount Base/ Cable Coupler Hood	10118700

HIGH PROFILE SURFACE MOUNT BASES



All dimensions are in mm.

Specifications: DIN 43652
Temperature Range: -40°C to +125°C

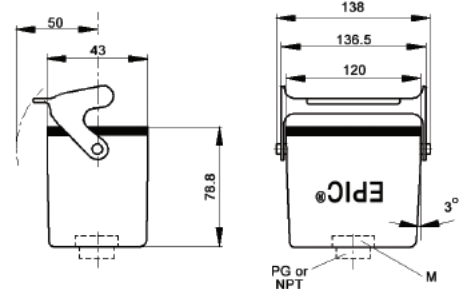
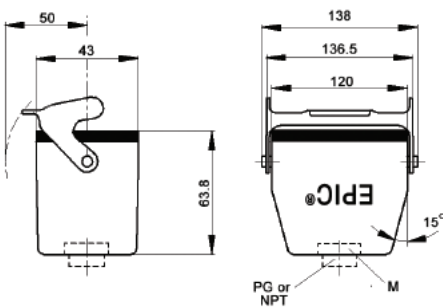
Protection class: NEMA 4, NEMA 12, IP65
Material: Aluminum alloy, powder coated

# of Entries	Size of Entry			Part Numbers			Complete your installation with a SKINTOP®, Pg 352			
	PG	NPT	Metric	PG	NPT	Metric	PG- Nylon	PG- Metal	Metric- Nylon	Metric- Metal
2 Entries	21	3/4"	25	701612C0	701612NP	79161200	53015150	52015750	53111030	53112030
	29	1"	32	701614C0	701614NP	79161400	53015160	52015760	53111040	53112040
1 Entry	21	3/4"	25	701602C0	701602NP	79160200	53015150	52015750	53111030	53112030
	29	1"	32	701604C0	701604NP	79160400	53015160	52015760	53111040	53112040
2 Entries with dust cover	21	3/4"	25	701652C0	701652NP	79165200	53015150	52015750	53111030	53112030
	29	1"	32	701654C0	701654NP	79165400	53015160	52015760	53111040	53112040
1 Entry with dust cover	21	3/4"	25	701642C0	701642NP	79164200	53015150	52015750	53111030	53112030
	29	1"	32	701644C0	701644NP	79164400	53015160	52015760	53111040	53112040

CABLE COUPLER HOODS

STANDARD PROFILE

HIGH PROFILE



Specifications: DIN 43652
Temperature Range: -40°C to +125°C

Protection class: NEMA 4, NEMA 12, IP65
Material: Aluminum alloy, powder coated

Profile	Size of Entry			Part Numbers			Complete your installation with a SKINTOP®, Pg 352			
	PG	NPT	Metric	PG	NPT	Metric	PG- Nylon	PG- Metal	Metric- Nylon	Metric- Metal
Standard Profile	21	3/4"	25	101279C0	101279NP	19127900	53015150	52015750	53111030	53112030
	29	1"	32	101179C0	101179NP	19117900	53015160	52015760	53111040	53112040
High Profile	21	3/4"	25	701424C0	701424NP	79142400	53015150	52015750	53111030	53112030
	29	1"	32	701426C0	701426NP	79142600	53015160	52015760	53111040	53112040

Cable coupler metric hoods do not come with a neck.

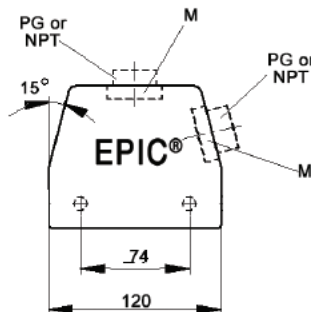
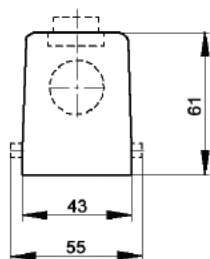
EPIC® Rectangular Connectors



HBE 24 Housings: Double Levers on Base

HOODS

TOP ENTRY



SIDE ENTRY



All dimensions are in mm.

Specifications: DIN 43652
Temperature Range: -40°C to +125°C

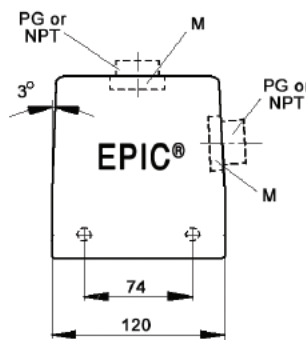
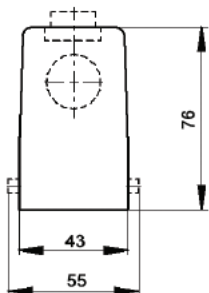
Protection class: NEMA 4, NEMA 12, IP65
Material: Aluminum alloy, powder coated

Position of Cable Entry	Size of Entry			Part Numbers			Complete your installation with a SKINTOP®, Pg 352			
	PG	NPT	Metric	PG	NPT	Metric	PG- Nylon	PG- Metal	Metric- Nylon	Metric- Metal
Top Entry	21	3/4"	25	101210C0	101210NP	19121000	53015150	52015750	53111030	53112030
	29	1"	32	101110C0	101110NP	19111000	53015160	52015760	53111040	53112040
Side Entry	21	3/4"	25	101130C0	101130NP	19113000	53015150	52015750	53111030	53112030
	29	1"	32	101230C0	101230NP	19123000	53015160	52015760	53111040	53112040

Top Entry metric hoods do not come with a neck.

HIGH PROFILE HOODS

TOP ENTRY



SIDE ENTRY



All dimensions are in mm.

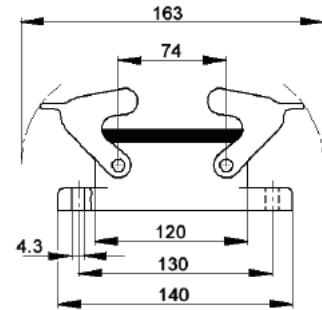
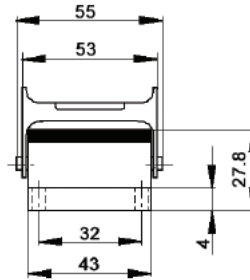
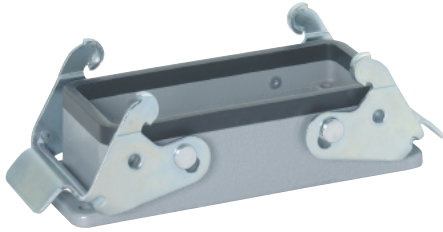
Specifications: DIN 43652
Temperature Range: -40°C to +125°C

Protection class: NEMA 4, NEMA 12, IP65
Material: Aluminum alloy, powder coated

Position of Cable Entry	Size of Entry			Part Numbers			Complete your installation with a SKINTOP®, Pg 352			
	PG	NPT	Metric	PG	NPT	Metric	PG- Nylon	PG- Metal	Metric- Nylon	Metric- Metal
Top Entry	21	3/4"	25	701504C0	701504NP	79150400	53015150	52015750	53111030	53112030
	29	1"	32	701506C0	701506NP	79150600	53015160	52015760	53111040	53111040
	-	-	40	-	-	79150800	-	-	53111050	53112050
Side Entry	21	3/4"	25	701524C0	701524NP	79152400	53015150	52015750	53111030	53112030
	29	1"	32	701526C0	701526NP	79152600	53015160	52015760	53111040	53111040
	-	-	40	-	-	79152800	-	-	53111050	53112050

High Profile Metric hoods do not come with a neck.

PANEL MOUNT BASES



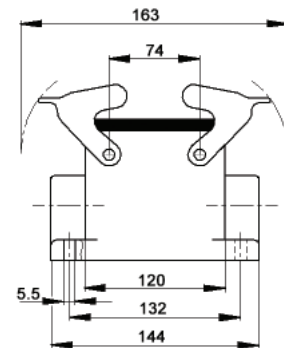
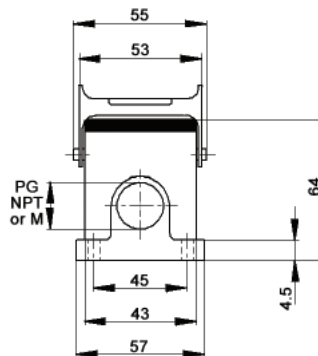
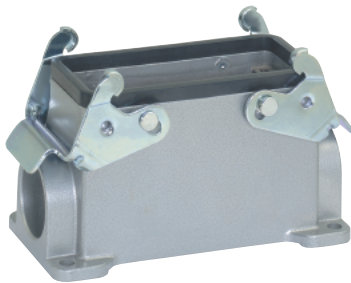
Specifications:
Temperature Range:
Protection class:
Material:

DIN 43652
 -40°C to +125°C
 NEMA 4, NEMA 12, IP65
 Aluminum alloy, powder coated

All dimensions are in mm.

Description	Part Numbers
Panel Mount without Dust Cover	101020C0

SURFACE MOUNT BASES



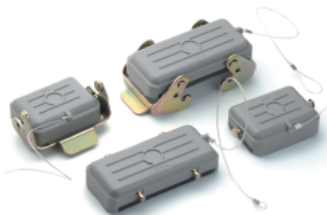
All dimensions are in mm.

Specifications: DIN 43652
Temperature Range: -40°C to +125°C

Protection class: NEMA 4, NEMA 12, IP65
Material: Aluminum alloy, powder coated

# of Entries	Size of Entry			Part Numbers			Complete your installation with a SKINTOP®, Pg 352			
	PG	NPT	Metric	PG	NPT	Metric	PG- Nylon	PG- Metal	Metric- Nylon	Metric- Metal
2 Entries	21	3/4"	25	101050C0	101050NP	19105000	53015150	52015750	53111030	53112030
1 Entry	21	3/4"	25	101040C0	101040NP	19104000	53015150	52015720	53111030	53112030

DUST COVERS WITH ATTACHMENT STRING



Material: Thermoplastic Resin

Temperature: -40°C to +125°C

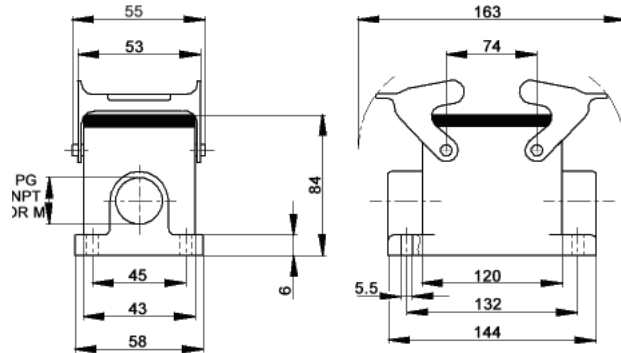
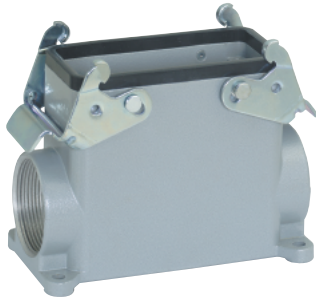
	Part #
Dust cover with double levers and gasket for HBE 16 Hoods	10119500
Dust cover with double lever bolts for HBE 16 Panel Mount or Surface Mount Base/ Cable Coupler Hood	10118000

EPIC® Rectangular Connectors



HBE 24 Housings: Double Levers on Base

HIGH PROFILE SURFACE MOUNT BASES



All dimensions are in mm.

Specifications: DIN 43652
Temperature Range: -40°C to +125°C

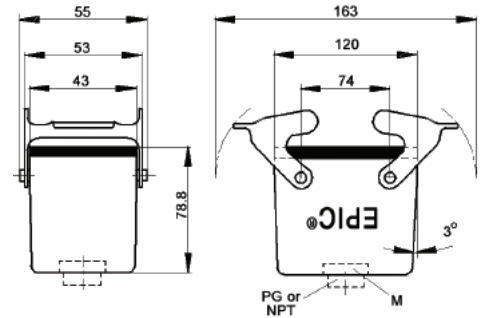
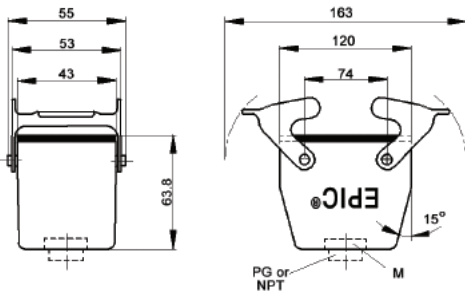
Protection class: NEMA 4, NEMA 12, IP65
Material: Aluminum alloy, powder coated

# of Entries	Size of Entry			Part Numbers			Complete your installation with a SKINTOP®, Pg 352			
	PG	NPT	Metric	PG	NPT	Metric	PG- Nylon	PG- Metal	Metric- Nylon	Metric- Metal
2 Entries without cover	21	3/4"	25	70136200	701362NP	79136200	53015150	52015750	53111030	53112030
	29	1"	32	701364C0	701364NP	79136400	53015160	52015760	53111040	53112040
1 Entry without dust cover	21	3/4"	25	701352C0	701352NP	79135200	53015150	52015750	53111030	53112030
	29	1"	32	701354C0	701354NP	79135400	53015160	52015760	53111040	53112040

CABLE COUPLER HOODS

STANDARD PROFILE

HIGH PROFILE



All dimensions are in mm.

Specifications: DIN 43652
Temperature Range: -40°C to +125°C

Protection class: NEMA 4, NEMA 12, IP65
Material: Aluminum alloy, powder coated

Profile	Size of Entry			Part Numbers			Complete your installation with a SKINTOP®, Pg 352			
	PG	NPT	Metric	PG	NPT	Metric	PG- Nylon	PG- Metal	Metric- Nylon	Metric- Metal
Standard Profile	21	3/4"	25	101270C0	101270NP	19127000	53015150	52015750	53111030	53112030
	29	1"	32	101170C0	101170NP	19117000	53015160	52015760	53111040	53112040
High Profile	21	3/4"	25	701404C0	701404NP	79140400	53015150	52015750	53111030	53112030
	29	1"	32	701406C0	701406NP	79140600	53015160	52015760	53111040	53112040

Metric hoods do not come with a neck.

EPIC® Rectangular Connectors

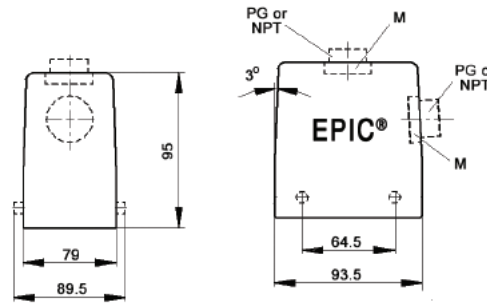


HBE 32 Housings: Double Levers on Base

TOP ENTRY



HOODS



All dimensions are in mm.

SIDE ENTRY

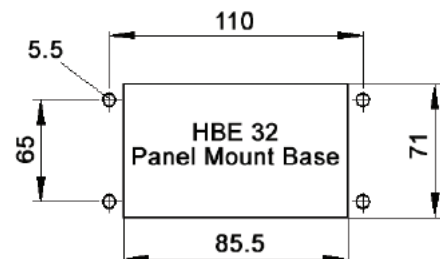
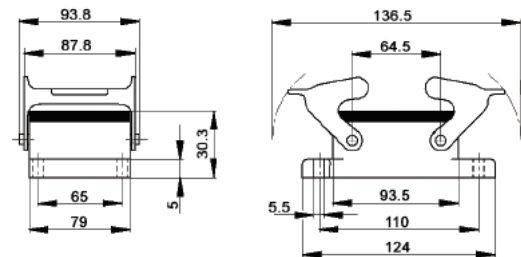
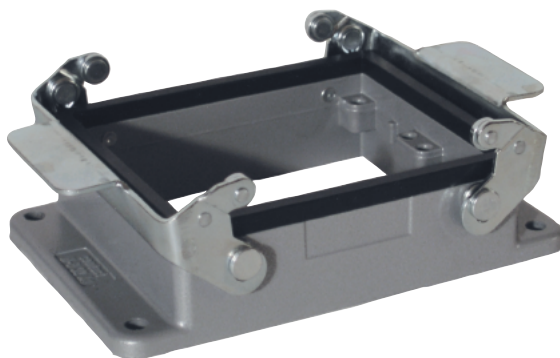


Specifications: DIN 43652
Temperature Range: -40°C to +125°C
Protection class: NEMA 4, NEMA 12, IP65
Material: Aluminum alloy, powder coated

Position of Cable Entry	Size of Entry			Part Numbers			Complete your installation with a SKINTOP®, Pg 352			
	PG	NPT	Metric	PG	NPT	Metric	PG- Nylon	PG- Metal	Metric- Nylon	Metric- Metal
Top Entry	21	3/4"	-	10133000	101330NP	-	53015150	52015750	-	-
	29	1"	32	10134000	101340NP	19134000	53015160	52015760	53111040	53111040
	-	-	40	-	-	19134400	-	-	53111050	53112050
Side Entry	21	3/4"	25	10135000	101350NP	19135000	53015150	52015750	-	-
	29	1"	32	10136000	101360NP	19136000	53015160	52015760	53111040	53111040
	-	-	40	-	-	19136200	-	-	53111050	53112050

Metric hoods do not come with a neck.

PANEL MOUNT BASES

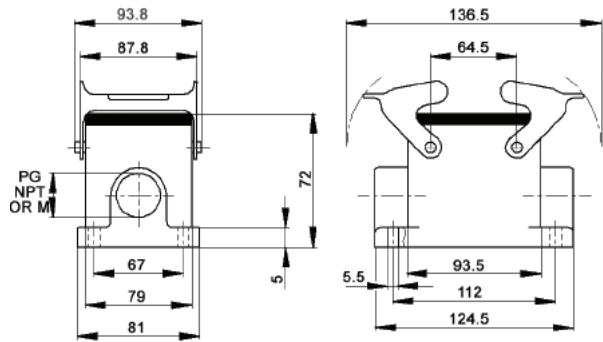
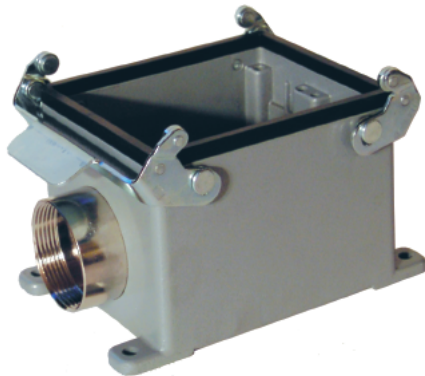


Description	Part Numbers
Panel Mount without Dust Cover	101320C0

Dust cover with double lever bolts and attachment string: 101420KIT

All dimensions are in mm.

SURFACE MOUNT BASES



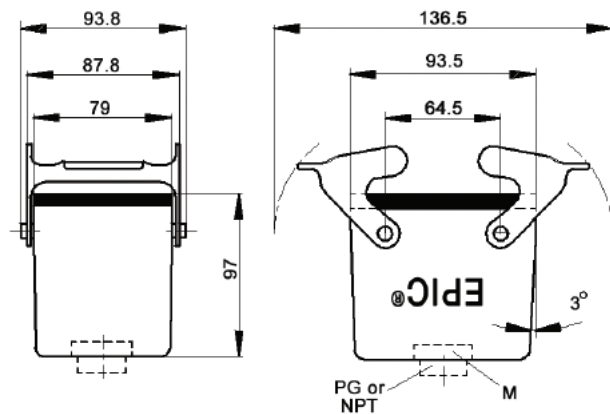
All dimensions are in mm.

Specifications: DIN 43652
Temperature Range: -40°C to +125°C
Protection class: NEMA 4, NEMA 12, IP65
Material: Aluminum alloy, powder coated

# of Entries	Size of Entry			Part Numbers			Complete your installation with a SKINTOP®, Pg 352			
	PG	NPT	Metric	PG	NPT	Metric	PG- Nylon	PG- Metal	Metric- Nylon	Metric- Metal
2 Entries	29	1"	32	101380C0	101380NP	19138000	53015160	52015760	53111040	53112040
1 Entry	29	1"	32	101370C0	101370NP	19137000	53015160	52015760	53111040	53112040

Dust cover with double lever bolts and attachment string: 101420KIT

CABLE COUPLER HOODS



Specifications: DIN 43652
Temperature Range: -40°C to +125°C
Protection class: NEMA 4, NEMA 12, IP65
Material: Aluminum alloy, powder coated

Size of Entry			Part Numbers			Complete your installation with a SKINTOP®, Pg 352			
PG	NPT	Metric	PG	NPT	Metric	PG- Nylon	PG- Metal	Metric- Nylon	Metric- Metal
21	3/4"	-	101390C0	101390NP	-	53015150	52015750	-	-
29	1"	32	101395C0	101395NP	19139500	53015160	52015760	53111040	53112040

Dust cover with double lever bolts and attachment string: 101420KIT

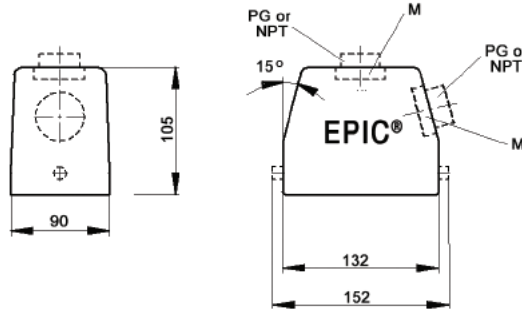
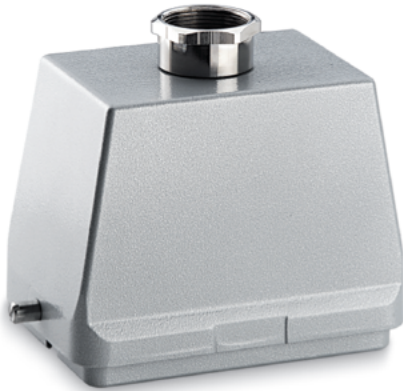
EPIC® Rectangular Connectors



HBE 48 Housings: Single Lever on Base

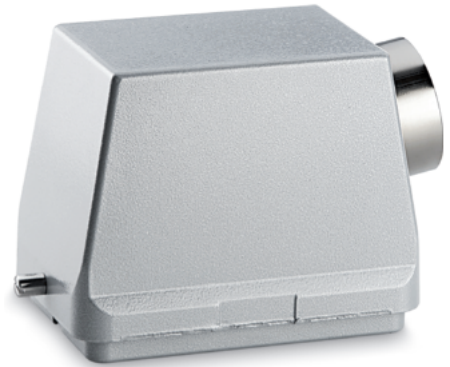
HOODS

TOP ENTRY



All dimensions are in mm.

SIDE ENTRY



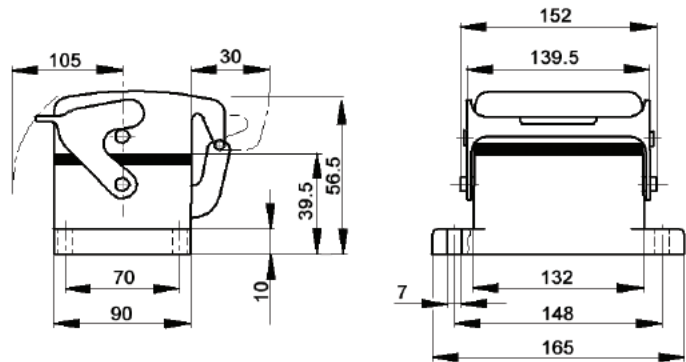
Specifications: DIN 43652
Temperature Range: -40°C to +125°C

Protection class: NEMA 4, NEMA 12, IP65
Material: Aluminum alloy, powder coated

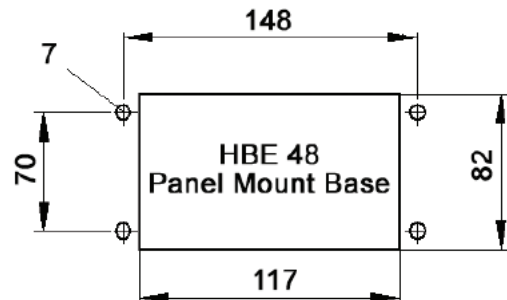
Position of Cable Entry	Size of Entry			Part Numbers			Complete your installation with a SKINTOP®, Pg 352			
	PG	NPT	Metric	PG	NPT	Metric	PG- Nylon	PG- Metal	Metric- Nylon	Metric- Metal
Top Entry	29	1"	32	10155000	101550NP	19155000	53015160	52015760	53111040	53111040
	36	1 1/4"	40	10156000	101560NP	19156000	53015170	52015765	53111050	53112050
	42	-	50	10157000	-	19157000	53015180	52015766	53111060	53112060
Side Entry	29	1"	32	10158000	101580NP	19158000	53015160	52015760	53111040	53111040
	36	1 1/4"	40	10159000	101590NP	19159000	53015170	52015765	53111050	53112050
	42	-	50	10160000	-	19160000	53015180	52015766	53111060	53112060

Metric hoods do not come with a neck.

PANEL MOUNT BASES



Specifications: DIN 43652
Temperature Range: -40°C to +125°C
Protection class: NEMA 4, NEMA 12, IP65
Material: Aluminum alloy, powder coated



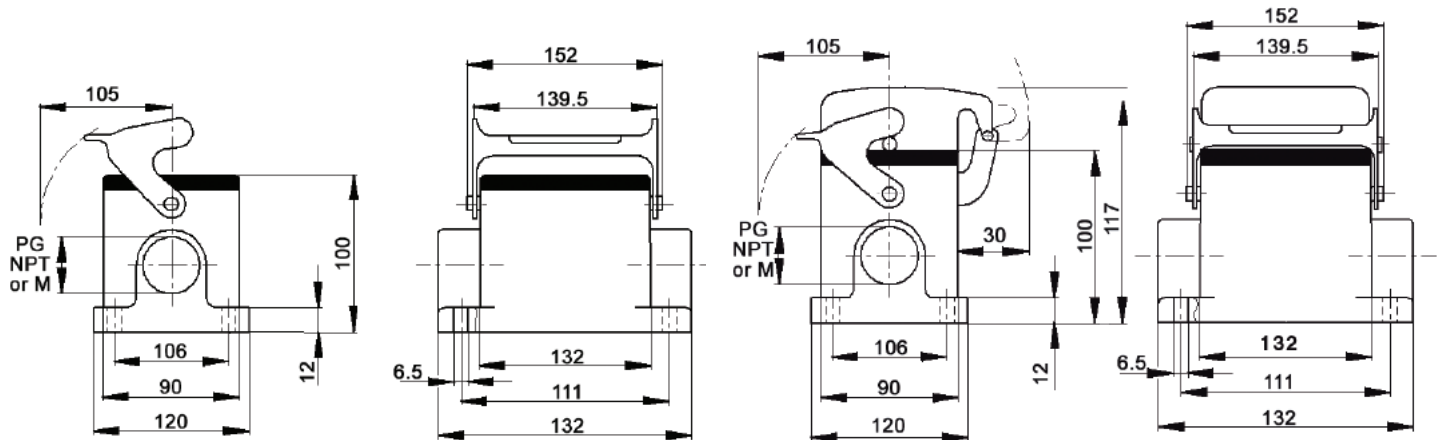
Without Dust Cover	With Dust Cover with hold down screw and no dust cover bolts	With Dust Cover with hold down screw and dust cover bolts
10161000	10152000	10152500

EPIC® Rectangular Connectors



HBE 48 Housings: Single Lever on Base

SURFACE MOUNT BASES



Specifications: DIN 43652
Temperature Range: -40°C to +125°C

Protection class: NEMA 4, NEMA 12, IP65
Material: Aluminum alloy, powder coated

All dimensions are in mm.

# of Entries	Size of Entry			Part Numbers			Complete your installation with a SKINTOP®, Pg 352			
	PG	NPT	Metric	PG	NPT	Metric	PG- Nylon	PG- Metal	Metric- Nylon	Metric- Plastic
2 Entries	29	1"	32	10166000	101660NP	19166000	53015160	52015760	53111040	53112040
	36	1 1/4"	40	10166100	101661NP	19166100	53015170	52015765	53111050	53112050
1 Entry	29	1"	32	10165000	101650NP	19165000	53015160	52015760	53111040	53112040
	36	1 1/4"	40	10165100	101651NP	19165100	53015170	52015765	53111050	53112050
2 Entries w/ dust cover	29	1"	32	10168000	101680NP	19168000	53015160	52015760	53111040	53112040
	36	1 1/4"	40	10168100	101681NP	19168100	53015170	52015765	53111050	53112050
1 Entry with dust cover	29	1"	32	10167000	101670NP	19167000	53015160	52015760	53111040	53112040
	36	1 1/4"	40	10167100	101671NP	19167100	53015170	52015765	53111050	53112050

EPIC® Rectangular Connectors



HA Housings

Housings:

Specifications: DIN 43652

Temperature Range: -40°C to +125°C

Protection class: IP 65: HA 3/4, 10, 16, 32, 48, 64

Material: HA 3/4: Die cast zinc, powder coated/ Thermoplastic flame retardant material rated UL 94 V-0
HA 10 - 64: aluminum alloy, powder coated

STANDARD GREY COATING (NEMA 4)

PG



NPT



METRIC



HA 3/4: Die cast zinc, powder coated (Grey)
Thermoplastic flame retardant material rated UL 94 V-0 (Grey or Black Plastic).

DIN 50262

PG



NPT



METRIC



DIN 50262

HA 10 - 48: Aluminum alloy, powder coated (grey), locking levers and bolts made of zinc plated steel.
For industrial applications in demanding environments.

HOUSINGS	PLUGS & RECEPTACLES										
	HBE	HA	HQ	STA	HEE	HBS	HBVE	HD	HDD	MC	Mixed Pwr
HBE 6	HBE 6				HEE 10				HDD 24	2 Modules	
HBE 10	HBE 10				HEE 18	HBS 6	HBVE 3		HDD 42	3 Modules	
HBE 16	HBE 16				HEE 32		HBVE 6	HD 40	HDD 72	5 Modules	4 Pwr/ 0 Sgl, 4 Pwr/ 2 Sgl
HBE 24	HBE 24				HEE 46	HBS 12	HBVE 10	HD 64	HDD 108	7 Modules	4 Pwr/8 Sgl
HBE 32	HBE 32				HEE 64			HD 80	HDD 144	10 Modules	
HBE 48	HBE 48				HEE 92			HD 128	HDD 216	14 Modules	
HA 3/4		HA 3/4	HQ 5	STA 6				HD 7/8			
HA 10		HA 10		STA 14				HD 15			
HA 16		HA 16		STA 20				HD 25			
HA 32		HA 32		STA 40				HD 50			
HA 48		HA 48									
HA 64		HA 64									

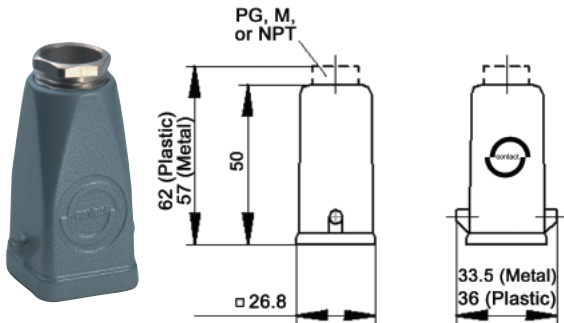
EPIC® rectangular connectors shall comply with all applicable requirements of Underwriters Laboratory (UL) Standards 1977 and 498, VDE Standard 0110 for creepage and clearance distances and VDE Standard 0627 for the connector design. The HD and HDD series is developed according to DIN Standard 43652.

The recognized UL file number and Canadian Standards Associations (CSA) for EPIC® CONTACT® connectors are:
UL recognized file #E75770
CSA certified file #LR53004-1

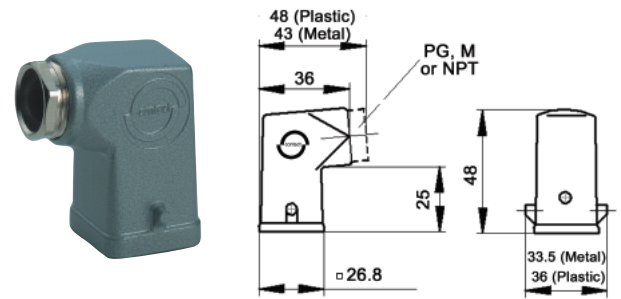
EPIC® connectors meet IP 65, NEMA 4, 4X and NEMA 12 standards only when in the mated condition.

TOP & SIDE ENTRY HOODS

TOP ENTRY



SIDE ENTRY



All dimensions are in mm.

Specifications: DIN 43652
Temperature Range: -40°C to +125°C

Protection class: NEMA 4, NEMA 12, IP65
Material: Aluminum alloy, powder coated

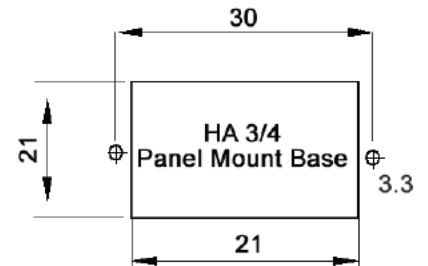
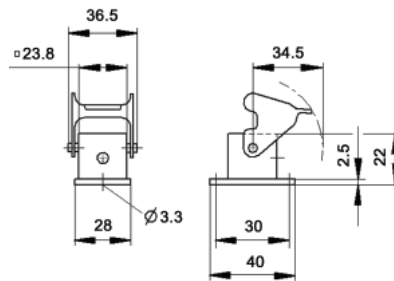
Top Entry Hoods

Material	Size of Entry			Without Cable Gland		With Cable Gland	
	PG	NPT	Metric	NPT	Metric	PG	Metric
Zinc Die Cast	11	1/2"	20	105121NP	-	10426500	19426500
Black Plastic	11	1/2"	20	104255NP	19425500	10426700	-
Grey Plastic	11	1/2"	20	104260NP	19426000	10426400	-

Side Entry Hoods

Material	Size of Entry			Without Cable Gland		With Cable Gland	
	PG	NPT	Metric	NPT	Metric	PG	Metric
Zinc Die Cast	11	1/2"	20	105123NP	-	10427500	19427500
Black Plastic	11	1/2"	20	104273NP	19427300	10620600	-
Grey Plastic	11	1/2"	20	104270NP	19427000	10427100	-

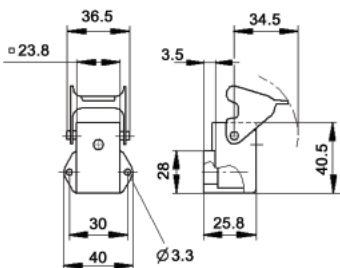
PANEL MOUNT BASES



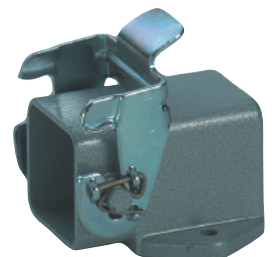
Gray Metal	Black Plastic	Gray Plastic
10422500	10422200	10422000

All dimensions are in mm.

ANGLED PANEL MOUNT BASES

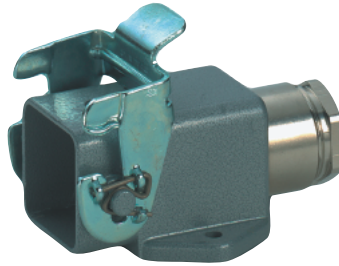
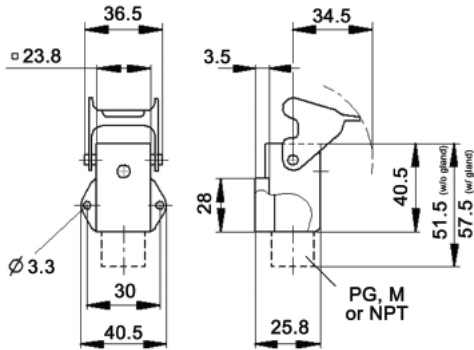


Gray Metal	Black Plastic	Gray Plastic
10423500	10423100	10423000



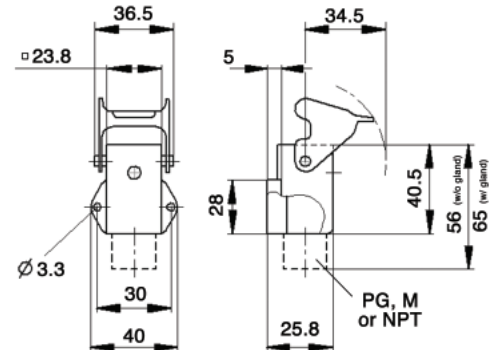
SURFACE MOUNT BASES

METAL



All dimensions are in mm.

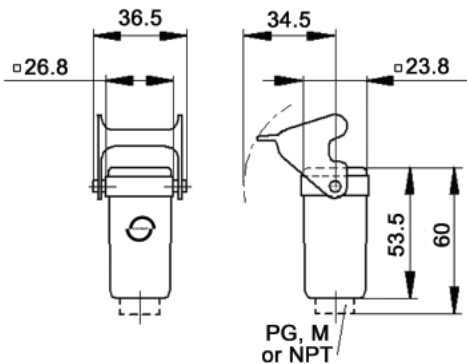
PLASTIC



Material	Size of Entry			Without Cable Gland		With Cable Gland	
	PG	NPT	Metric	NPT	Metric	PG	Metric
Zinc Die Cast	11	1/2"	20	105127NP	-	10424500	19424500
Grey Plastic	11	1/2"	20	104240NP	19424100	10424200	-

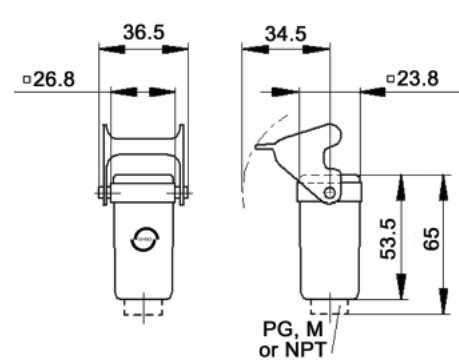
CABLE COUPLER HOODS

METAL



All dimensions are in mm.

PLASTIC



Material	Size of Entry			Without Cable Gland		With Cable Gland	
	PG	NPT	Metric	NPT	Metric	PG	Metric
Zinc Die Cast	11	1/2"	20	105129NP	19512900	10429500	19429500
Black Plastic	11	1/2"	20	104292NP	19429200	10620300	-
Grey Plastic	11	1/2"	20	104290NP	19429000	10429100	-

DUST COVERS WITH OR WITHOUT ATTACHMENT STRING

Material: Thermoplastic Resin

Temperature: -40°C to +125°C



Covers for Panel Mount or Surface Mount Bases/ and Cable Coupler Hoods	Part # with string	Part # without string
Dust Cover for HA 3/4 Housings with Male Insert	10430400	10430000
Metal Dust Cover for HA 3/4 Housings with Male Insert	10513000	10430500
Dust Cover for HA 3/4 Housings with Female Insert (includes gasket)	10430100	10430300
Metal Dust Cover for HA 3/4 Housings with Female Insert (includes gasket)	10513100	-

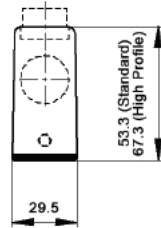
EPIC® Rectangular Connectors



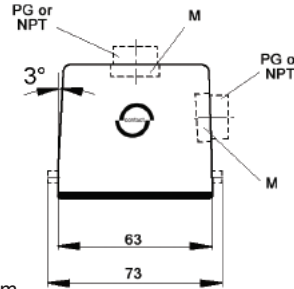
HA 10 Housings: Single Lever on Base

TOP & SIDE ENTRY HOODS

TOP ENTRY



All dimensions are in mm.



SIDE ENTRY



Specifications: DIN 43652
Temperature Range: -40°C to +125°C

Protection class: NEMA 4, NEMA 12, IP65
Material: Aluminum alloy, powder coated

STANDARD PROFILE

Position of Cable Entry	Size of Entry			Part Numbers			Complete your installation with a SKINTOP®, Pg 352			
	PG	NPT	Metric	PG	NPT	Metric	PG- Nylon	PG- Metal	Metric- Nylon	Metric-Metal
Top Entry	13	1/2"	20	10446000	104460NP	19446000	53015130	52015730	53111020	53112020
	16	1/2"	25	10446100	104461NP	19446100	53015140	52015740	53111030	53112030
Side Entry	16	1/2"	20	10445000	104450NP	19445000	53015140	52015740	53111020	53112020
	21	3/4"	25	10445500	104455NP	19445500	53015150	52015750	53111030	53112030

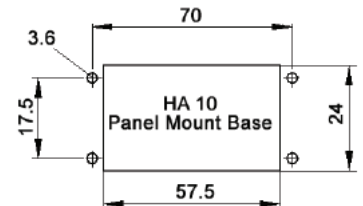
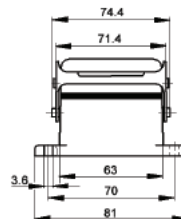
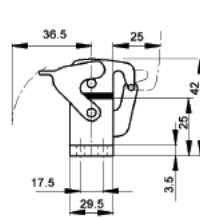
Top Entry Metric hoods do not come with a neck.

HIGH PROFILE

Position of Cable Entry	Size of Entry			Part Numbers			Complete your installation with a SKINTOP®, Pg 352			
	PG	NPT	Metric	PG	NPT	Metric	PG- Nylon	PG- Metal	Metric- Nylon	Metric-Metal
Top Entry	16	1/2"	20	70460200	704602NP	79460200	53015140	52015740	53111020	53112020
	21	3/4"	25	70460400	704604NP	79460400	53015150	52015750	53111030	53112030
Side Entry	16	1/2"	20	70462200	704622NP	79462200	53015140	52015740	53111020	53112020
	21	3/4"	25	70462400	704624NP	79462400	53015150	52015750	53111030	53112030

High Profile Metric hoods do not come with a neck.

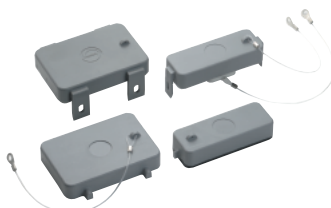
PANEL MOUNT BASES



Without Dust Cover	With Dust Cover
104420C0	704440C0

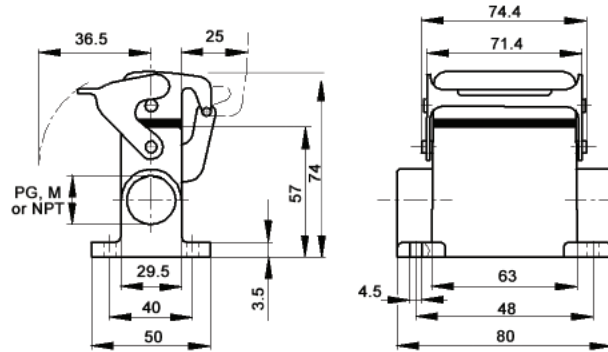
All dimensions are in mm.

DUST COVERS WITH OR WITHOUT ATTACHMENT STRING



Material:	Thermoplastic Resin	Temperature:	-40°C to +125°C
Description		Part # with string	Part # without string
HA 10 Panel Mt or Surface Mt Base/ Cable Coupler hoods (includes gasket)		10457500	10457700
Dust cover for HA 10 Hoods		10457600	10457800

SURFACE MOUNT BASES



All dimensions are in mm.

WITHOUT DUST COVER

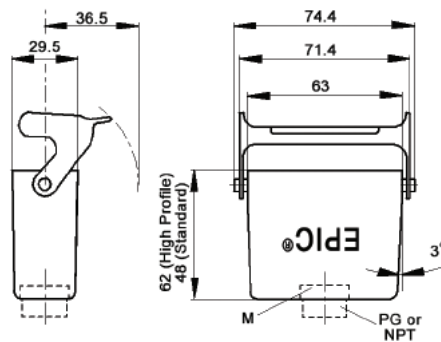
Number of Entries	Size of Entry			Part Numbers			Complete your installation with a SKINTOP®, Pg 352			
	PG	NPT	Metric	PG	NPT	Metric	PG- Nylon	PG- Metal	Metric- Nylon	Metric- Metal
1 Entry	16	1/2"	20	104481C0	104481NP	19448100	53015140	52015740	53111020	53112020
	21	3/4"	25	104480C0	104480NP	19448000	53015150	52015750	53111030	53112030
2 Entries	16	1/2"	20	104501C0	104501NP	19450100	53015140	52015740	53111020	53112020
	21	3/4"	25	104500C0	104500NP	19450000	53015150	52015750	53111030	53112030

WITH DUST COVER

Number of Entries	Size of Entry			Part Numbers			Complete your installation with a SKINTOP®, Pg 352			
	PG	NPT	Metric	PG	NPT	Metric	PG- Nylon	PG- Metal	Metric- Nylon	Metric- Metal
1 Entry	16	1/2"	20	704552C0	704552NP	79455200	53015140	52015740	53111020	53112020
	21	3/4"	25	70455400	704554NP	79455400	53015150	52015750	53111030	53112030
2 Entries	16	1/2"	20	70456200	704562NP	79456200	53015140	52015740	53111020	53112020
	21	3/4"	25	70456400	704564NP	79456400	53015150	52015750	53111030	53112030

CABLE COUPLER HOODS

PG



METRIC



All dimensions are in mm.

Profile	Size of Entry			Part Numbers			Complete your installation with a SKINTOP®, Pg 352			
	PG	NPT	Metric	PG	NPT	Metric	PG- Nylon	PG- Metal	Metric- Nylon	Metric- Metal
Standard	13.5	1/2"	20	10439000	104390NP	19439000	53015130	52015700	53111020	53112020
	16	1/2"	25	704500C0	704500NP	79450000	53015140	52015740	53111030	53112030
High	21	3/4"	25	704504C0	704504NP	79450400	53015150	52015750	53111030	53112030

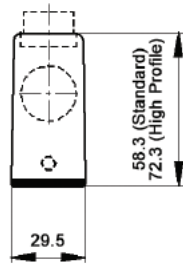
Cable Coupler Metric hoods do not come with a neck.

EPIC® Rectangular Connectors

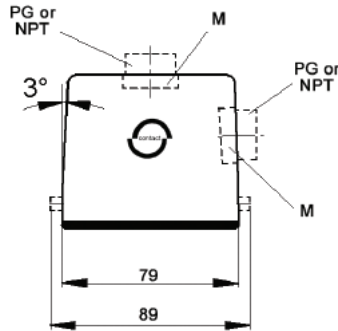


HA 16 Housings: Single Lever on Base

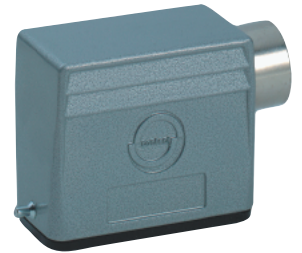
TOP ENTRY



HOODS



SIDE ENTRY



STANDARD PROFILE

Position of Cable Entry	Size of Entry			Part Numbers			Complete your installation with a SKINTOP®, Pg 352			
	PG	NPT	Metric	PG	NPT	Metric	PG- Nylon	PG- Metal	Metric- Nylon	Metric-Metal
Top Entry	16	1/2"	20	10565000	105650NP	19565000	53015140	52015740	53111020	53112020
	21	3/4"	25	10565200	105652NP	19565300	53015150	52015750	53111030	53112030
Side Entry	16	1/2"	20	10564000	105640NP	19564000	53015140	52015740	53111020	53112020
	21	3/4"	25	10564500	105645NP	19564500	53015150	52015750	53111030	53112030

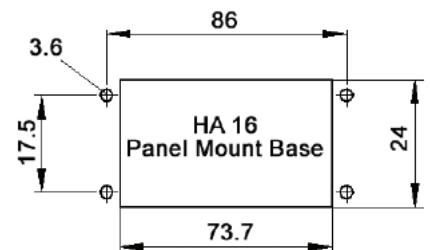
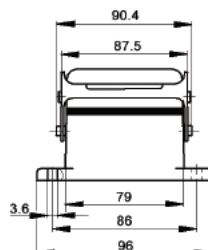
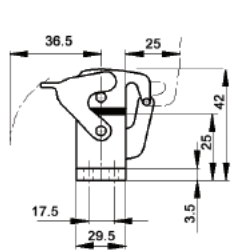
Top Entry Metric hoods do not come with a neck.

HIGH PROFILE

Position of Cable Entry	Size of Entry			Part Numbers			Complete your installation with a SKINTOP®, Pg 352			
	PG	NPT	Metric	PG	NPT	Metric	PG- Nylon	PG- Metal	Metric- Nylon	Metric-Metal
Top Entry	16	1/2"	20	70490200	704902NP	79490200	53015140	52015740	53111020	53112020
	21	3/4"	25	70490400	704904NP	79490400	53015150	52015750	53111030	53112030
Side Entry	16	1/2"	20	70492200	704922NP	79492200	53015140	52015740	53111020	53112020
	21	3/4"	25	70492400	704924NP	79492400	53015150	52015750	53111030	53112030

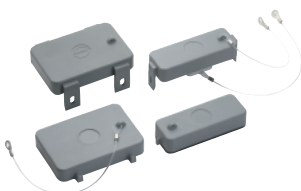
High Profile Metric hoods do not come with a neck.

PANEL MOUNT BASE



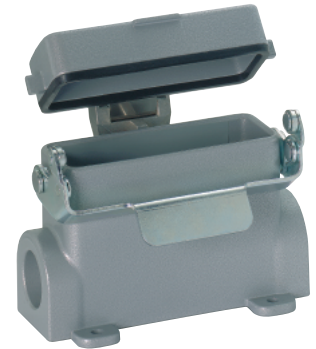
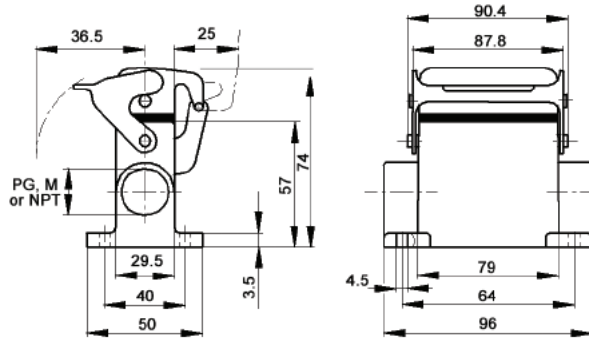
Without Dust Cover	With Dust Cover
104620C0	704740C0

DUST COVERS WITH OR WITHOUT ATTACHMENT STRING



Material:	Thermoplastic Resin	Temperature:	-40°C to +125°C
Description	Part # with string	Part # without string	
HA 16 Panel Mt or Surface Mt Base/ Cable Coupler hoods (includes gasket)	10469500	10469700	
Dust cover for HA 16 Hoods	10469600	10469800	

SURFACE MOUNT BASES



All dimensions are in mm.

WITHOUT DUST COVER

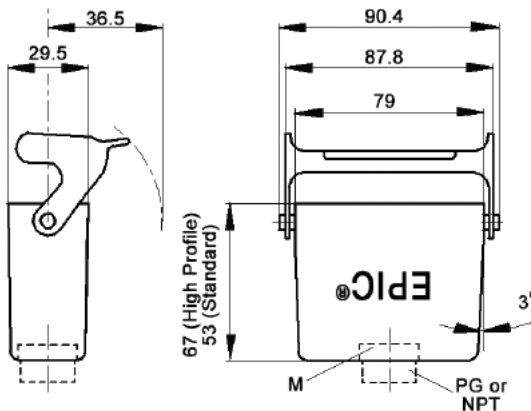
Number of Entries	Size of Entry			Part Numbers			Complete your installation with a SKINTOP®, Pg 352			
	PG	NPT	Metric	PG	NPT	Metric	PG- Nylon	PG- Metal	Metric- Nylon	Metric-Metal
1 Entry	16	1/2"	20	105671C0	105671NP	19567100	53015140	52015740	53111020	53112020
	21	3/4"	25	105670C0	105670NP	19567000	53015150	52015750	53111030	53112030
2 Entries	16	1/2"	20	105681C0	105681NP	19568100	53015140	52015740	53111020	53112020
	21	3/4"	25	105680C0	105680NP	19568000	53015150	52015750	53111030	53112030

WITH DUST COVER

Number of Entries	Size of Entry			Part Numbers			Complete your installation with a SKINTOP®, Pg 352			
	PG	NPT	Metric	PG	NPT	Metric	PG- Nylon	PG- Metal	Metric- Nylon	Metric-Metal
1 Entry	16	1/2"	20	70485200	704852NP	79485200	53015140	52015740	53111020	53112020
	21	3/4"	25	704854C0	704854NP	79485400	53015150	52015750	53111030	53112030
2 Entries	16	1/2"	20	704862C0	704862NP	79486200	53015140	52015740	53111020	53112020
	21	3/4"	25	-	-	79486400	-	-	53111030	53112030

CABLE COUPLER HOODS

PG



METRIC



All dimensions are in mm.

Profile	Size of Entry			Part Numbers			Complete your installation with a SKINTOP®, Pg 352			
	PG	NPT	Metric	PG	NPT	Metric	PG- Nylon	PG- Metal	Metric- Nylon	Metric-Metal
Standard	16	1/2"	20	105630C0	105630NP	19563000	53015140	52015740	53111020	53112020
	-	-	25	-	-	19563200	-	-	53111030	53112030
High Profile	16	1/2"	20	70480200	704802NP	79480200	53015140	52015740	53111020	53112020
	21	3/4"	25	704804C0	704804NP	79480400	-	-	53111030	53112030

Cable Coupler Metric hoods do not come with a neck.

EPIC® Rectangular Connectors

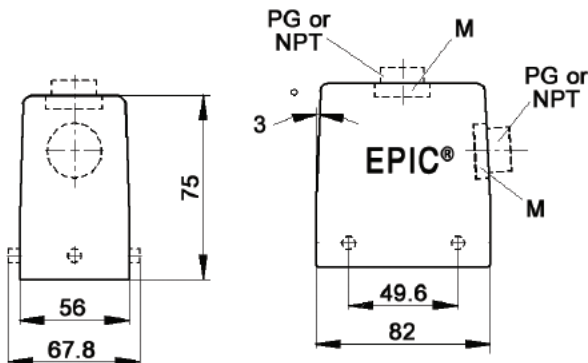


HA 32 Housings: Double Levers on Base

TOP ENTRY



HOODS



SIDE ENTRY

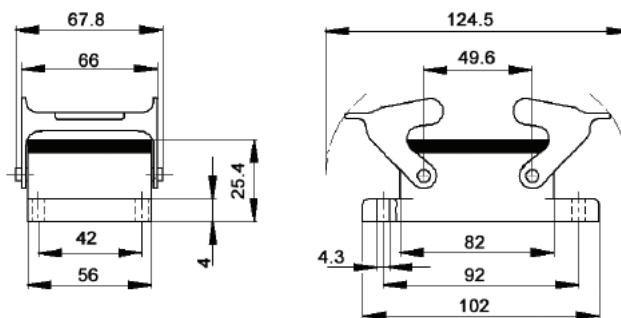
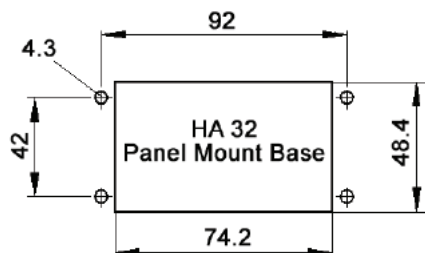
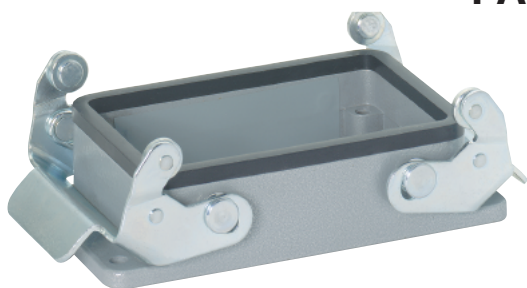


All dimensions are in mm.

Position of Cable Entry	Size of Entry			Part Numbers			Complete your installation with a SKINTOP®, Pg 352			
	PG	NPT	Metric	PG	NPT	Metric	PG- Nylon	PG- Metal	Metric- Nylon	Metric-Metal
Top Entry	21	3/4"	25	105820C0	105820NP	19582000	53015150	52015750	53111030	53112030
	29	1"	32	105830C0	105830NP	19583000	53015160	52015760	53111040	53112040
Side Entry	21	3/4"	25	105760C0	105760NP	19576000	53015150	52015750	53111030	53112030
	29	1"	32	105770C0	105770NP	19577000	53015160	52015760	53111040	53112040

Metric hoods do not come with a neck.

PANEL MOUNT BASE

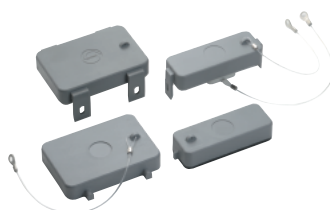


All dimensions are in mm.

Without Dust Cover

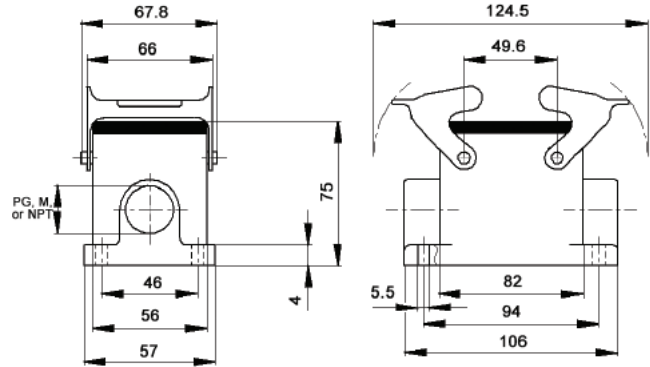
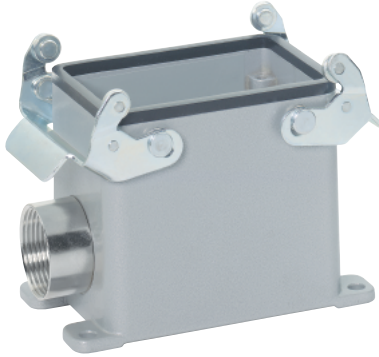
104720C0

DUST COVERS WITH OR WITHOUT ATTACHMENT STRING



Material:	Thermoplastic Resin	Temperature:	-40°C to +125°C
Description		Part # with string	Part # without string
HA 32 Panel Mt or Surface Mt Base/ Cable Coupler hoods (includes gasket)		10481500	10481700
Dust cover for HA 32 Hoods		10481600	10481800

SURFACE MOUNT BASE



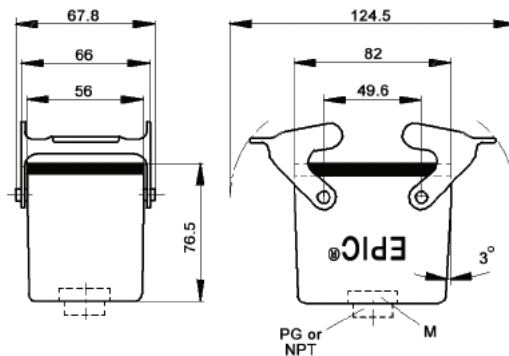
All dimensions are in mm.

Number of Entries	Size of Entry			Part Numbers			Complete your installation with a SKINTOP®, Pg 352			
	PG	NPT	Metric	PG	NPT	Metric	PG- Nylon	PG- Metal	Metric- Nylon	Metric-Metal
1 Entry	21	3/4"	25	104740C0	104740NP	19474000	53015150	52015750	53111030	53112030
	29	1"	32	104741C0	104741NP	19474100	53015160	52015760	53111040	53112040
2 Entries	21	3/4"	25	104820C0	104820NP	19482000	53015150	52015750	53111030	53112030
	29	1"	32	104821C0	104821NP	19482100	53015160	52015760	53111040	53112040

Metric bases do not come with a neck.

CABLE COUPLER HOODS

PG



All dimensions are in mm.

METRIC



Size of Entry			Part Numbers			Complete your installation with a SKINTOP®, Pg 352			
PG	NPT	Metric	PG	NPT	Metric	PG- Nylon	PG- Metal	Metric- Nylon	Metric- Metal
21	3/4"	25	105880C0	105880NP	19588000	53015150	52015750	53111030	53112030
29	1"	32	105885C0	105885NP	19588500	53015160	52015760	53112030	53112040

Cable Coupler Metric hoods do not come with a neck.

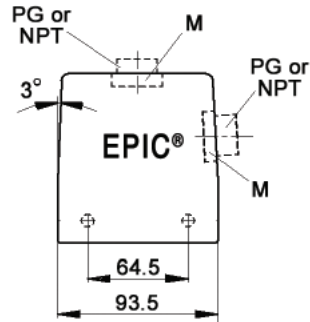
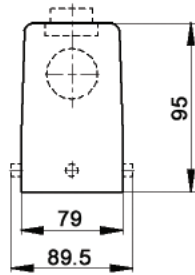
EPIC® Rectangular Connectors



HA 48 Housings: Double Levers on Base

HOODS

TOP ENTRY



SIDE ENTRY

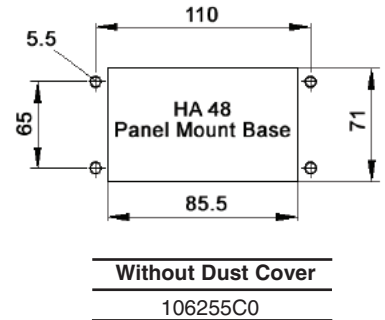
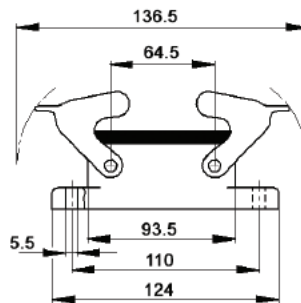
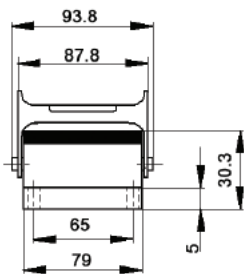


All dimensions are in mm.

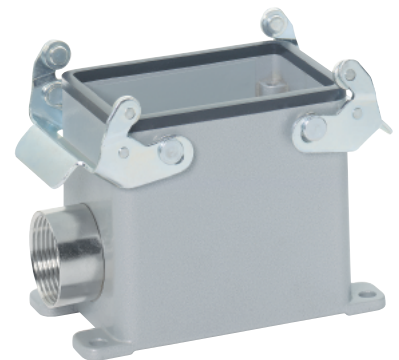
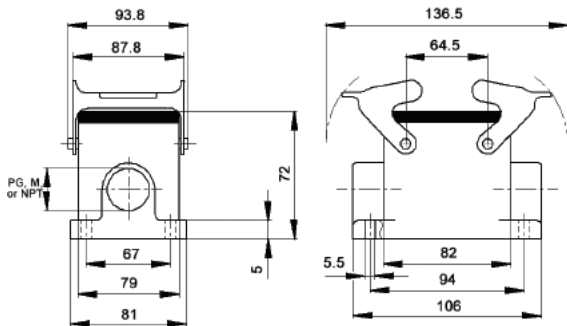
Position of Cable Entry	Size of Entry			Part Numbers			Complete your installation with a SKINTOP®, Pg 352			
	PG	NPT	Metric	PG	NPT	Metric	PG- Nylon	PG- Metal	Metric- Nylon	Metric- Metal
Top Entry	29	1"	32	10631800	106318NP	-	53015160	52015760	53111040	53112040
Side Entry	29	1"	32	10630800	106308NP	19630800	53015160	52015760	53111040	53112040

Metric hoods do not come with a neck.

PANEL MOUNT BASE



SURFACE MOUNT BASE



Number of Entries	Size of Entry			Part Numbers			Complete your installation with a SKINTOP®, Pg 352			
	PG	NPT	Metric	PG	NPT	Metric	PG- Nylon	PG- Metal	Metric- Nylon	Metric- Metal
1 Entry	29	1"	32	106338C0	106338NP	19633800	53015160	52015760	53111040	53112040
2 Entries	29	1"	32	106348C0	106348NP	19634800	53015160	52015760	53111040	53112040

Metric bases do not come with a neck.

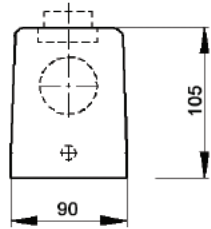
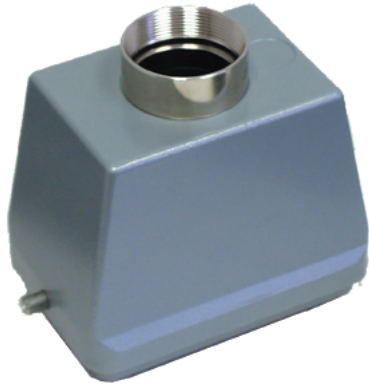
EPIC® Rectangular Connectors



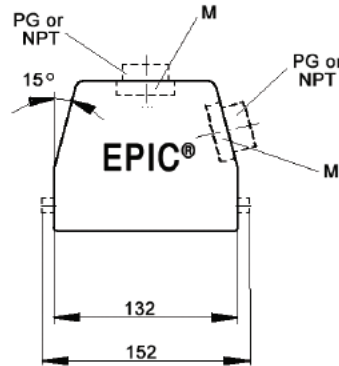
HA 64 Housings: Single Lever on Base

HOODS

TOP ENTRY



All dimensions are in mm.



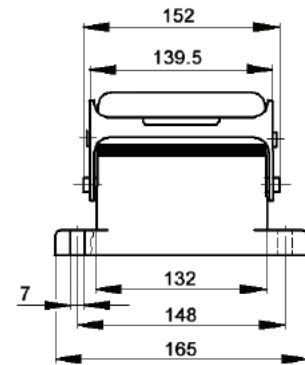
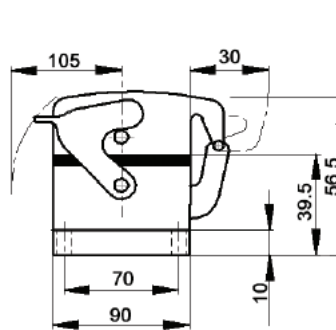
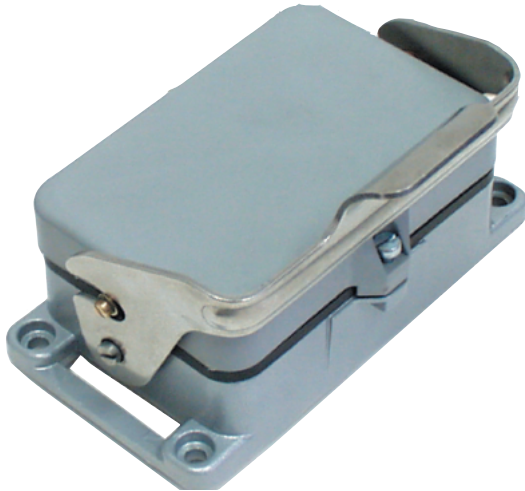
SIDE ENTRY



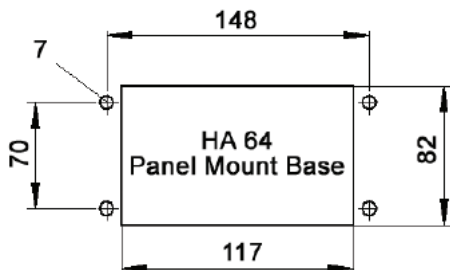
Position of Cable Entry	Size of Entry			Part Numbers			Complete your installation with a SKINTOP®, Pg 352			
	PG	NPT	Metric	PG	NPT	Metric	PG- Nylon	PG- Metal	Metric- Nylon	Metric- Metal
Top Entry	29	1"	32	101550HA	101550NP-HA	191550HA	53015160	52015760	53111040	53112040
	36	1 1/4"	40	101560HA	101560NP-HA	191560HA	53015170	52015765	53111050	53112050
	42	1 1/2"	50	101570HA	-	191570HA	53015180	52015766	53111060	53112060
Side Entry	29	1"	32	101580-HA	101580NP-HA	191580HA	53015160	52015760	53111040	53112040
	36	1 1/4"	40	101590-HA	101590NP-HA	191590HA	53015170	52015765	53111050	53112050
	42	1 1/2"	50	101600-HA	-	191600HA	53015180	52015766	53111060	53112060

Metric hoods do not come with a neck.

PANEL MOUNT BASE



All dimensions are in mm.



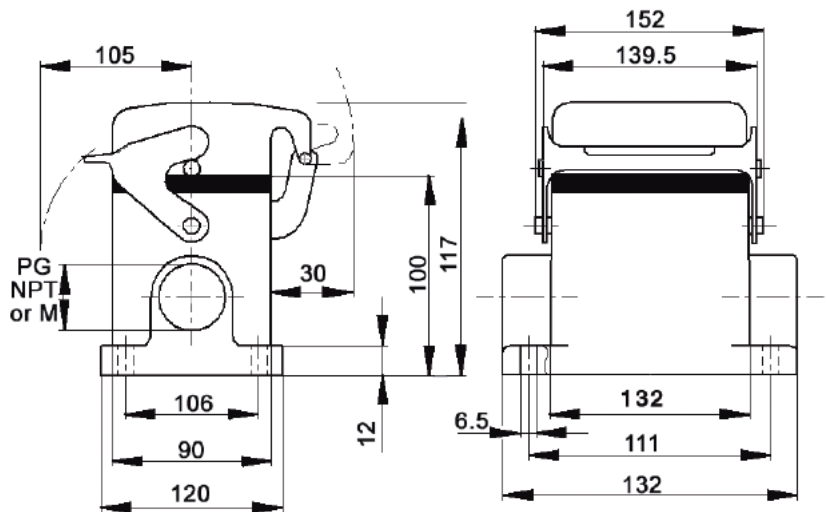
Without Dust Cover	With Dust Cover with hold down screw and no dust cover bolts	With Dust Cover with hold down screw and dust cover bolts
101610HA	101520HA	101525HA

EPIC® Rectangular Connectors



HA 64 Housings: Single Lever on Base

SURFACE MOUNT BASE



All dimensions are in mm.

Number of Entries	Size of Entry			Part Numbers			Complete your installation with a SKINTOP®, Pg 352			
	PG	NPT	Metric	PG	NPT	Metric	PG- Nylon	PG- Metal	Metric- Nylon	Metric- Metal
2 Entries	29	1"	32	101660HA	101660NP-HA	191660HA	53015160	52015760	53111040	53112040
	36	1 1/4"	40	101661HA	101661NP-HA	191661HA	53015170	52015765	53111050	53112050
1 Entry	29	1"	32	101650HA	101650NP-HA	191650HA	53015160	52015760	53111040	53112040
	36	1 1/4"	40	101651HA	101651NP-HA	191651HA	53015170	52015765	53111050	53112050
2 Entries with dust cover	29	1"	32	101680HA	101680NP-HA	191680HA	53015160	52015760	53111040	53112040
	36	1 1/4"	40	101681HA	101681NP-HA	191681HA	53015170	52015765	53111050	53112050
1 Entry with dust cover	29	1"	32	101670HA	101670NP-HA	191670HA	53015160	52015760	53111040	53112040
	36	1 1/4"	40	101671HA	101671NP-HA	191671HA	53015170	52015765	53111050	53112050

Metric bases do not come with a neck.

EPIC® Connector Accessories



Glands, Seal Rings, & Adapters	391
HA Dust Covers	394
HBE Dust Covers	395
Coding Pins	396
EMC Protection	397
Split Hoods	398
Adapter Plates	399
Quick & Easy Din Rail Adapters	400
Tools & Contacts	402

EPIC® Connector Accessories

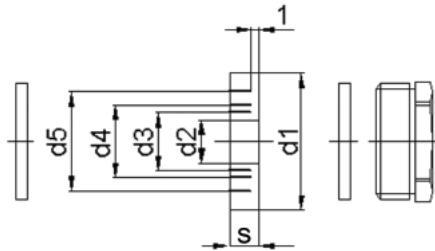
Glands, Seal Rings, & Adapters

EPIC® SM



Body Material: Nickel Plated Brass
Temperature: -40°C to 125°C

EPIC® SM & SP GLANDS



EPIC® SP



Body Material: Polystyrol
Temperature: -20°C to 55°C

PG PARTS

PG	EPIC® SM Part #	EPIC® SP Part #	d1	d2	Cable	d3	Cable	d4	Cable	s	SW EPIC SW	SW EPIC SP
9	12954100	-	13.3	5	4 - 6	7.5	6.5 - 8.5	10	9 - 11	5.5	15	-
11	12954200	12957100	16.5	7.5	6.5 - 8.5	10	9 - 11	12.5	11.5 - 13.5	6	18	19
13.5	12954300	-	18.3	7.5	6.5 - 8.5	10	9 - 11	12.5	11.5 - 13.5	6	20	21
16	12954400	-	20.4	7.5	6.5 - 8.5	10	9 - 11	12.5	11.5 - 13.5	7	22	23
21	12954500	-	25.9	10	9 - 11	13	12 - 14	16	15 - 17	8	28	30
29	12954600	-	34.7	18	17 - 19	21	20 - 22	24	23 - 25	9.5	37	-
36	12954700	-	44.7	24	23 - 25	27	26 - 28	30	29 - 31	12	47	-
42	12954800	-	51.7	30	29 - 31	33	32 - 34	36	35 - 37	14	54	-

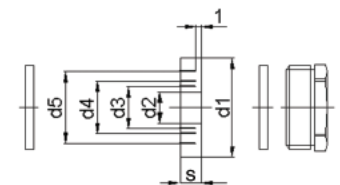
METRIC PARTS

M	EPIC® SM-M Part #	d1	d2	Cable	d3	Cable	d4	Cable	d5	Cable	s	SW	Standard Pack
12	71200000	10	5	4 - 6	-	-	-	-	-	-	5	12	5
16	71200100	13.8	3	2 - 4	6	5 - 7	9	8 - 10	-	-	5.5	16	5
20	71200200	17.6	4	3 - 5	7	6 - 8	10	9 - 11	13	12 - 14	6	20	5
25	71200300	22.6	8.5	7.5 - 9.5	11.5	10.5 - 12.5	14.5	13.5 - 15.5	17.5	16.5 - 18.5	7.5	25	5
32	71200400	29.6	16	15 - 17	19	18 - 20	22	21 - 23	25	24 - 26	9.5	32	5
40	71200500	37.6	23	22 - 24	26	25 - 27	29	23 - 28	32	31 - 33	12	40	5
50	71200600	47.6	30	29 - 31	33	32 - 34	36	35 - 37	39	38 - 40	14	50	5

EPIC® CM-M GLANDS



Body Material: Nickel Plated Brass
Protection Class: IP 54 (DIN 46320)
Temperature: -40°C to +125°C



M	EPIC® SM-M Part #	d1	d2	Cable	d3	Cable	d4	Cable	d5	Cable	s	SW	Standard Pack
16	71201100	13.8	5	2 - 4	6	5 - 7	9	8 - 10	-	-	5.5	19	5
20	71201200	17.6	4	3 - 5	7	6 - 8	10	9 - 11	13	12 - 14	6	23	5
25	71201300	22.6	8.5	7.5 - 9.5	11.5	10.5 - 12.5	14.5	13.5 - 15.5	17.5	16.5 - 18.5	7.5	28	5
32	71201400	29.6	16	15 - 17	19	18 - 20	22	21 - 23	25	24 - 26	9.5	36	5
40	71201500	37.6	23	22 - 24	26	25 - 27	29	23 - 28	32	31 - 33	12	46	5
50	71201600	47.6	30	29 - 31	33	32 - 34	36	35 - 37	39	38 - 40	14	55	5

SW= Wrenching Flats

Dimensions are in mm.

EPIC® Connector Accessories

Glands, Seal Rings, & Adapters

D SERIES: PRESSURE SCREWS

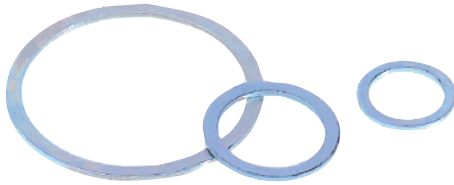


Body Material: Nickel Plated Brass
DIN 46320

PG	Part Number	Wrench Size	Standard Pack
7	52100200	13	100
11	52100220	18	100
16	52100240	22	50
21	52100250	28	50
29	52100260	37	25
36	52100270	47	10

All dimensions are in mm.

U SERIES WASHERS



Body Material: Galvanized Steel
DIN 46320

PG	Part Number	Ext. Diameter x Int. Diameter x Thickness	Standard Pack
7	52010170	11 x 8 x 0.8	100
9	52010180	13.5 x 10 x 0.8	100
11	52010190	17 x 12 x 0.8	100
13.5	52010200	18.5 x 14 x 0.8	100
16	52010210	20.5 x 16 x 0.8	50
21	52010220	26 x 21 x 0.8	50
29	52010230	35 x 30 x 0.8	25
36	52010240	45 x 38 x 0.8	10

All dimensions are in mm.

E SERIES: NEOPRENE CONCENTRIC SEALING RINGS

These rings can be individually adapted to various cable diameters by removing the appropriate sizes. Also suitable for half glands.



All dimensions are in mm.

PG	Part Number	Outside Diameter x Bore	Standard Pack
9	52005780	13.5 x 5/8	500
11	52003690	16.5 x 7/10/12.5	500
13.5	52003700	18.5 x 7/10.5/13/16	500
16	52003710	20.5 x 8/10.5/13.5/16	500
21	52003720	26 x 11/15/18/20	100
29	52003730	35 x 19/23/27/31	100
36	52003740	45 x 25/28/31/35	50

EV SERIES: VITON CONCENTRIC SEALING RINGS



Body Material: Viton
Temperature: up to 165°C

All dimensions are in mm.

PG	Part Number	Outside Diameter x Bore	Standard Pack
11	52010340	16.5 x 7/10/12.5	50
13.5	52010350	18.5 x 7/10.5/13/16	50
21	52010370	26 x 11/15/18/20	25
29	52010380	35 x 19/23/27/31	25

FLAT GASKETS FOR PANEL MOUNT BASES

Part #	For:	Part #	For:
00004240	HBE 6 Base	00002722	HA 3/4 Base
00004242	HBE 10 Base	00021610	HA 10 Base
00004243	HBE 16 Base	00021630	HA 16 Base
00004244	HBE 24 Base	00002680	HA 32 Base
00002660	HBE 32 Base		
00004520	HBE 48 Base		

EPIC® Connector Accessories

Glands, Seal Rings, & Adapters

PG TO NPT / NPT TO PG/ METRIC TO PG ADAPTERS/ METRIC TO NPT ADAPTERS



Body Material: Nickel Plated Brass
DIN 46320

[For Product Specification, see Page 529](#)

METAL BLANKING PLUGS

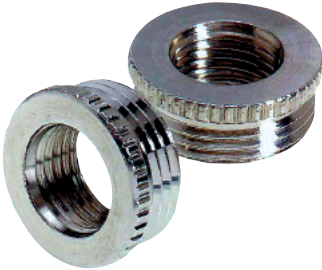


Hole plugs are for use when existing PG threaded holes are not yet, or no longer required.

Body Material: Nickel Plated Brass

[For Product Specification, see Page 527](#)

REDUCERS



Body Material: Nickel Plated Brass
DIN 46320

[For Product Specification, see Page 528](#)

METRIC TO PG ADAPTERS



Body Material: Brass

[For Product Specification, see Page 529](#)

ENLARGERS



Body Material: Nickel Plated Brass
DIN 46320

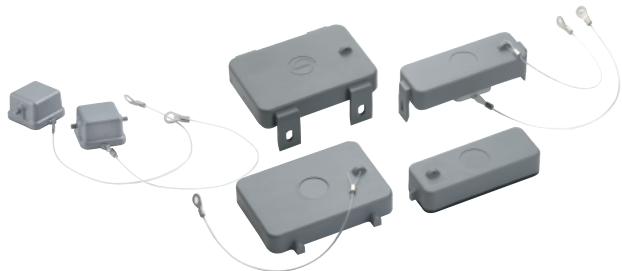
[For Product Specification, see Page 528](#)

EPIC® Connector Accessories

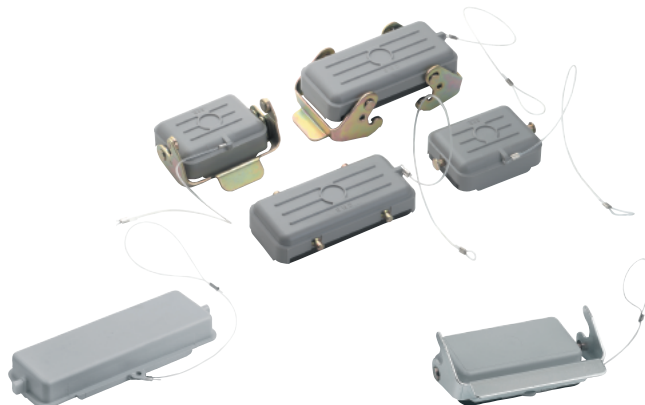
HA Dust Covers

Protective covers made of impact resistant plastic which provide effective protection against environmental influences. Inserts are easily protected when they are not in use.

Material: Thermoplastic Resin/ Aluminum
Temperature: -40°C to +125°C



HA Series Dust Covers



HBE Series Dust Covers

HA 3/4 DUST COVERS

Description	Plastic Part with String	Metal Part with String	Plastic Part without String
Dust cover for HA 3/4 Bases and Cable Coupler Hoods with Male Insert	10430400	10513000	10430000
Dust cover for HA 3/4 Bases and Cable Coupler Hoods with Female Insert (includes gasket)	10430100	10513100	10430300

HA 10 & HA 16 PLASTIC DUST COVERS

Description	HA 10 with String	HA 10 without String	HA 16 with String	HA 16 without String
Dust cover for HA Panel Mount/ Surface Mount/ Cable Coupler hoods (includes gasket)	10457500	10457700	10469500	10469700
Dust cover for HA Hoods	10457600	10457800	10469600	10469800

HA 32 PLASTIC DUST COVERS

Description	with String	without String
Dust cover for HA 32 Panel Mount/ Surface Mount/ Cable Coupler hoods	10481500	10481700
Dust cover for HA 32 Hoods (includes gasket)	10481600	10481800

BLIND HOOD ATTACHMENT STRING FOR USE WITH BLANKING PLUG



Note: Blanking plug is sold separately, see page 527

Part Numbers

10053010

EPIC® Connector Accessories

HBE Dust Covers

HBE 6 PLASTIC DUST COVERS WITH ATTACHMENT STRING

Description	Part Number
Dust cover with single lever and gasket for HBE 6 Hoods	10016500
Dust cover with single lever bolts for HBE 6 Panel Mount or Surface Mount Base/ Cable Coupler Hood	10015000

HBE 10 PLASTIC DUST COVERS WITH ATTACHMENT STRING

Description	Part Number
Dust cover with single lever for HBE 10 Hoods	10048600
Dust cover with single lever bolts for HBE 10 Panel Mount or Surface Mount Base/ Cable Coupler Hood	10048700
Dust cover with double levers and gasket for HBE 10 Hoods	10048500
Dust cover with double lever bolts for HBE 10 Panel Mount or Surface Mount Base/ Cable Coupler Hood	10047000
Dust cover with double lever bolts and gasket for HBE 10 Hoods	10047100

HBE 16 PLASTIC DUST COVERS WITH ATTACHMENT STRING

Description	Part Number
Dust cover with single lever for HBE 16 Hoods	10088600
Dust cover with single lever bolts for HBE 16 Panel Mount or Surface Mount Base/ Cable Coupler Hood	10088700
Dust cover with double levers and gasket for HBE 16 Hoods	10088500
Dust cover with double lever bolts for HBE 16 Panel Mount or Surface Mount Base/ Cable Coupler Hood	10087000
Dust cover with double lever bolts and gasket for HBE 16 Hoods	10087100

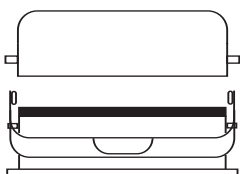
HBE 24 PLASTIC DUST COVERS WITH ATTACHMENT STRING

Description	Part Number
Dust cover with single lever for HBE 24 Hoods	10118600
Dust cover with single lever bolts for HBE 24 Panel Mount or Surface Mount Base/ Cable Coupler Hood	10118700
Dust cover with double levers and gasket for HBE 24 Hoods	10119500
Dust cover with double lever bolts for HBE 24 Mount or Surface Mount Base/ Cable Coupler Hood	10118000
Dust cover with double lever bolts and gasket for HBE 24 Hoods	10118100

HBE 32 METAL DUST COVERS WITH ATTACHMENT STRING

Description	Part Number
Dust cover with double lever bolts for HBE 32 Panel Mount or Surface Mount Base/ Cable Coupler Hood	101420KIT

Dust Cover with Bolts



Base with gasket



Cable Coupler with gasket

Dust Cover with Lever & Gasket



Hood with bolts

Dust Cover with Bolts & Gasket



Hood with levers

EPIC® Connector Accessories

Coding Pins

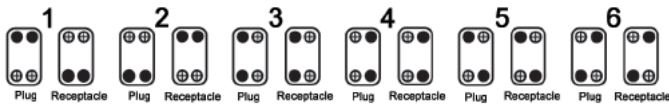
Coding is used when several connectors are mounted next to one another. This helps prevent incorrect connections.

POLARIZING WITH KEY PIN



Insert	Part Number	Standard Pack
HA, HBE, HBS, HBVE, HD, HDD, HEE, MC, MP	10019000	50
STA	10509000	10

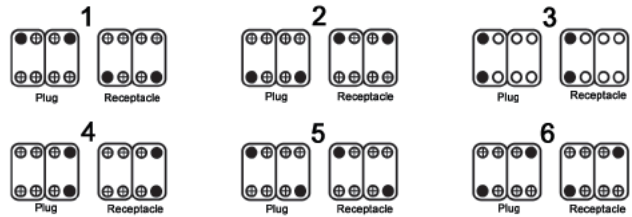
Key Positions for 1 insert



● Key Pin

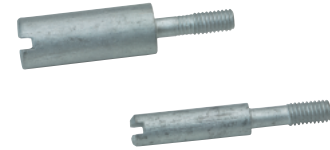
⊕ Fixing Screw

Key Positions for 2 inserts



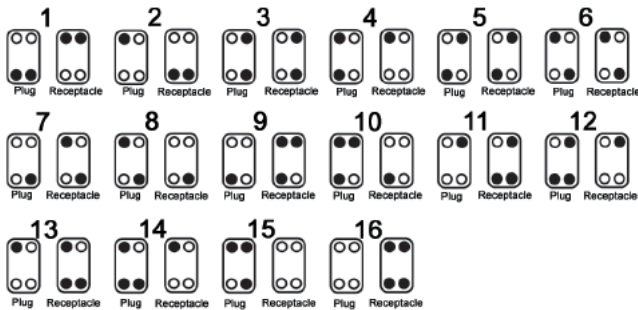
POLARIZING WITH GUIDE PIN & SOCKET

Insert	Part Number	Type	Standard Pack
HA, HBE, HBS, HBVE, HD, HDD, HEE, MC, MP	11280000	Guide Pin	50
	11281000	Guide Socket	50



For Screw, Crimp, Cage Clamp Termination

Key Positions for 1 insert

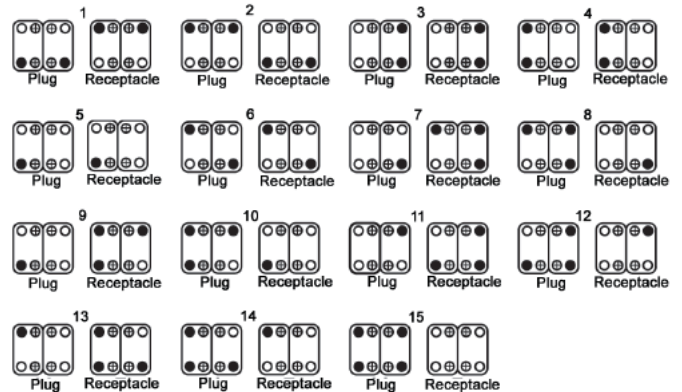


● Guide Pin

○ Guide Socket

⊕ Fixing Screw

Key Positions for 2 inserts



POLARIZING WITH CONTACT LOSS

Insert	Part Number	Standard Pack
HD 7/8 Coding Pin	11162000	100
HA 3/4 Coding Pin	10451200	50
HQ 5 Coding Pin	10436500	-



Coding Pin
Removal Tool-
11161200



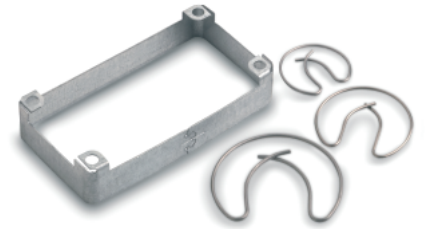
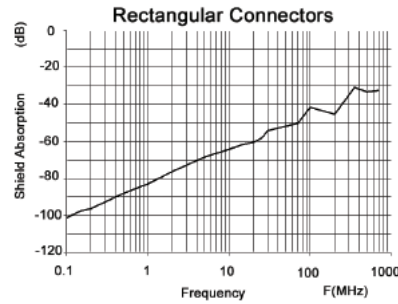
EPIC® Connector Accessories

EMC Protection

EMC PROTECTION FOR EPIC® RECTANGULAR CONNECTORS



The perfect shielding against electromagnetic interference. It is simple to mount, compatible with standard housings and can be installed in the field.



EMC PROTECTION FOR HBE SERIES

Description	PG	Metric
HBE 6 Panel Mount Base	70350000	79350000
HBE 6 Surface Mount & Cable Coupler Hood	70352000	79352000
HBE 10 Panel Mount Base	70350100	79350100
HBE 10 Surface Mount & Cable Coupler Hood	70352100	79352100
HBE 16 Panel Mount Base	70350200	79350200
HBE 16 Surface Mount & Cable Coupler Hood	70352200	79352200
HBE 24 Panel Mount Base	70350300	79350300
HBE 24 Surface Mount & Cable Coupler Hood	70352300	79352300

EMC PROTECTION FOR HA SERIES

Description	PG	Metric
HA 10 Panel Mount Base	70700000	79700000
HA 10 Surface Mount & Cable Coupler Hood	70702000	79702000
HA 16 Panel Mount Base	70700100	79700100
HA 16 Surface Mount & Cable Coupler Hood	70702100	79702100

EPIC® Connector Accessories

Split Hoods

DOUBLE LATCH BOLTS SPLIT HOODS FOR HBE 16 & 24

Split hoods allow multiple cable assemblies to pass through one hood.

Split hoods provide a convenient way to pass finished cable assemblies through a connector housing into a panel without having to reterminate the assembly. A maximum of 4 cables ranging in size from 3 mm to 16 mm each may pass through a single hood.



Part #	Description	Wire Range	Mates with Panel Mount Base
HBSH16	3 gland openings	3 mm - 16 mm	10072000
HBSH24	4 gland openings	3 mm - 16mm	10102000

The part numbers listed are for a complete hood (two halves).

Both the 16 position and 24 position versions can accommodate any combination of the grommets listed below. When used with these grommets, the split hood will provide an IP 54 environmental seal.

SPLIT GROMMETS

Thermoplastic rubber split grommets are available in a range of sizes. The grommets seal around the cables and provide IP 54 protection rating as well as strain relief in the mated and assembled position. The HBSH 16 Housing is capable of accommodating 3 glands. The HBSH 24 Housing can accommodate 4 glands.



Part #:	Clamp Range:	Standard Pack
SHG 3	3 - 4mm	10
SHG 4	4 - 5 mm	10
SHG 5	5 - 6 mm	10
SHG 6	6 - 7 mm	10
SHG 7	7 - 8 mm	10
SHG 8	8 - 9 mm	10
SHG 9	9 - 10 mm	10
SHG 10	10 - 11 mm	10
SHG 11	11 - 12 mm	10
SHG 12	12 - 13 mm	10
SHG 13	13 - 14 mm	10
SHG 14	14 - 15 mm	10
SHG 15	15 - 16 mm	10
SHG 0	0 (blank)	10
SHG ASI	ASI Cable	10

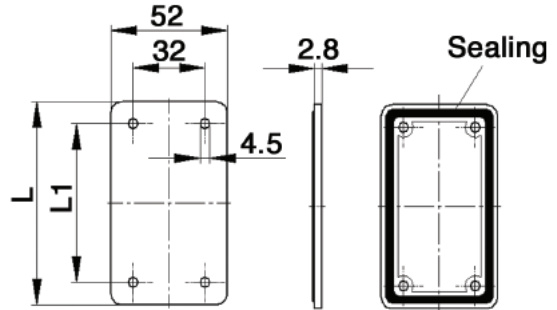
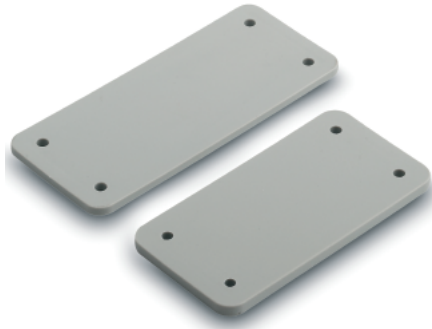
Material: Thermoplastic rubber (UL Approved)

Temperature: -40°C to +140°C

EPIC® Connector Accessories

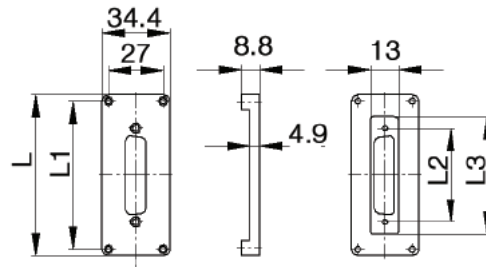
Adapter Plates

COVER PLATES FOR PANEL CUT-OUT



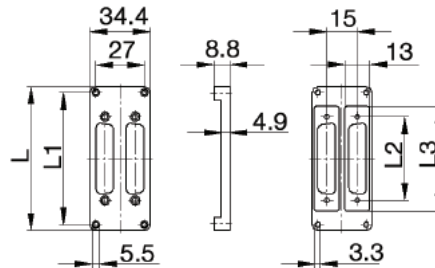
Part Number	Description	L	L1
10018920	HBE 6 Cover Plate	90.5	70.0
10018921	HBE 10 Cover Plate	103.0	83.3
10018922	HBE 16 Cover Plate	123.5	103.0
10018923	HBE 24 Cover Plate	150.0	130.0

ADAPTERS FOR SINGLE D'SUB CONNECTORS



Part Number	Description	L	L1	L2	L3
11764200	HBE 6 Plate with DB 9 cut-out	51.3	44.0	25.0	31.4
11764202	HBE 6 Plate with DB 15 cut-out	51.3	44.0	33.3	39.2
11764300	HBE 10 Plate with DB 25 cut-out	64.2	57.0	47.1	53.1
11764400	HBE 16 Plate with DB 25 cut-out	85.0	77.5	47.1	53.6

ADAPTERS FOR DOUBLE D'SUB CONNECTORS



Part Number	Description	L	L1	L2	L3
11764201	HBE 6 Plate with 2-DB 9 cut-outs	51.3	44.0	25.0	31.4
11764203	HBE 6 Plate with 2-DB 15 cut-outs	51.3	44.0	33.3	39.2
11764301	HBE 10 Plate with 2-DB 25 cut-outs	64.2	57.0	47.1	53.1
11764401	HBE 16 Plate with 2-DB 25 cut-outs	85.0	77.5	47.1	53.6

EPIC® Connector Accessories

Quick & Easy Din Rail Adapters

The Quick & Easy system greatly simplifies mounting a wide range of EPIC® connectors onto standard DIN rail without the added cost of housings. The system can be purchased as one complete unit or the upper and lower portions can be purchased separately. The upper portions come in 4 different sizes to accommodate HBE, HD, HDD, HEE, HBS, HBVE, Modular (MC) contact inserts. The bottom portion of the system adjusts to accommodate all

4 sizes. The system components lock into place via snap hooks and are directly mateable with existing systems. The slider latch allows for the quick removal and attachment of the base from the DIN rail for wiring. Also, the unit can be labeled in three places with printed or handwritten labels. A special coding set with key pin will allow for coding of the inserts to prevent mismatch of side by side mounted connectors.



TECHNICAL DATA

Locking device: For DIN rail according to DIN EN 50022

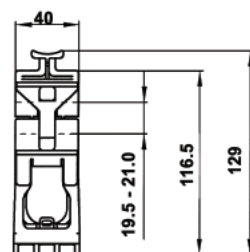
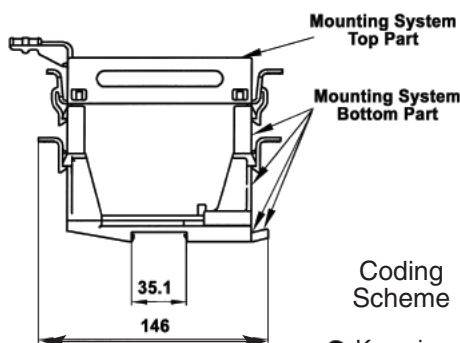
Material: Polycarbonate

Color: Grey

Material Properties: Phosphorus & Halogenous free

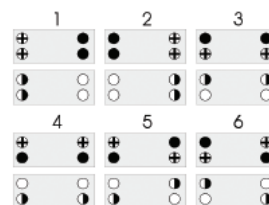
Combustibility Class: V0 (UL 94)

Temperature Range: -40° to +125°C



Coding Scheme

- Key pin
- ⊕ Fixing Screw
- ◐ Coding Plug
- Open



Complete Systems

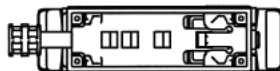
Part #:	Description:
10027000	HBE 6 Set
10027100	HBE 10 Set
10027200	HBE 16 Set
10027300	HBE 24 Set

Standard Pack of 1

Upper Part Only

Part #:	Description:
10027410	HBE 6 Top
10027510	HBE 10 Top
10027610	HBE 16 Top
10027710	HBE 24 Top

Standard Pack of 10



Lower Part Only

Part #:	Description:
10027810	HBE 6, 10, 16, 24

Standard Pack of 10

Coding Set

Part #:	Description:
10028000	Key Pin & Coding Plug

Standard Pack of 50

Key Pin



Coding Plug



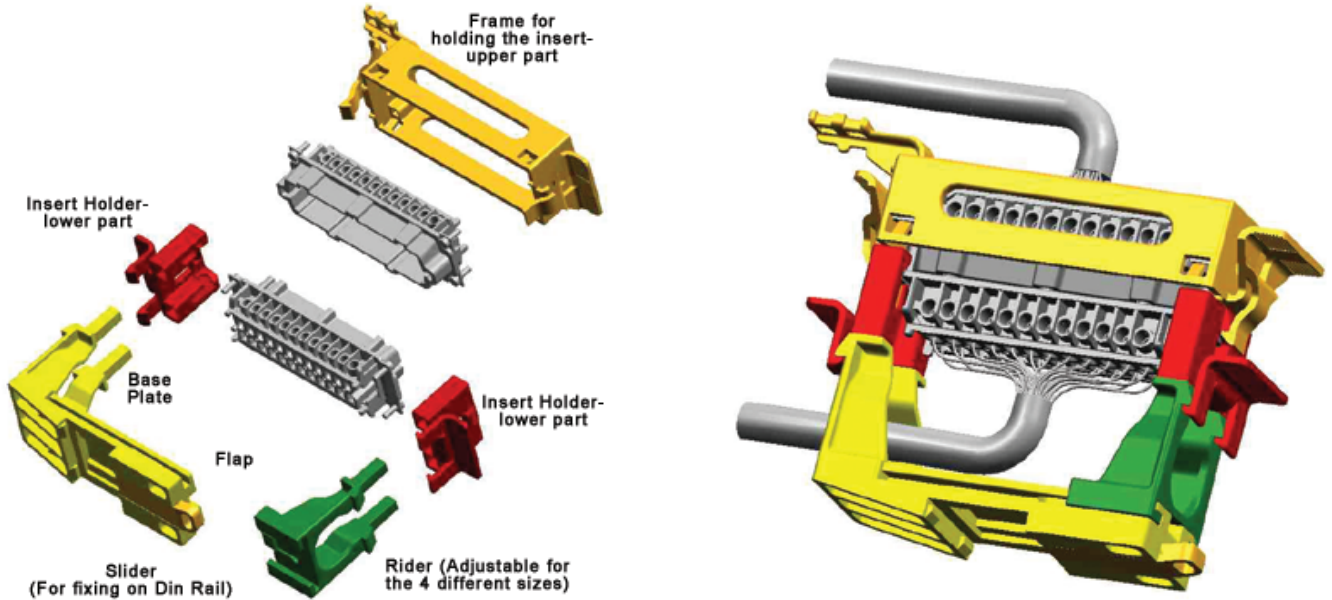
MATING COMPONENTS

Inserts	HBE 6 Systems	HBE 10 Systems	HBE 16 Systems	HBE 24 Systems
HBE Series	HBE 6	HBE 10	HBE 16	HBE 24
HEE Series	HEE 10	HEE 18	HEE 32	HEE 46
HD Series	-	-	HD 40	HD 64
HDD Series	HDD 24	HDD 42	HDD 72	HDD 108
HBS Series	-	-	HBS 6	-
HBVE Series	-	HBVE 3	HBVE 6	HBVE 10
Modular Series	2 Module Frame	3 Module Frame	5 Module Frame	7 Module Frame

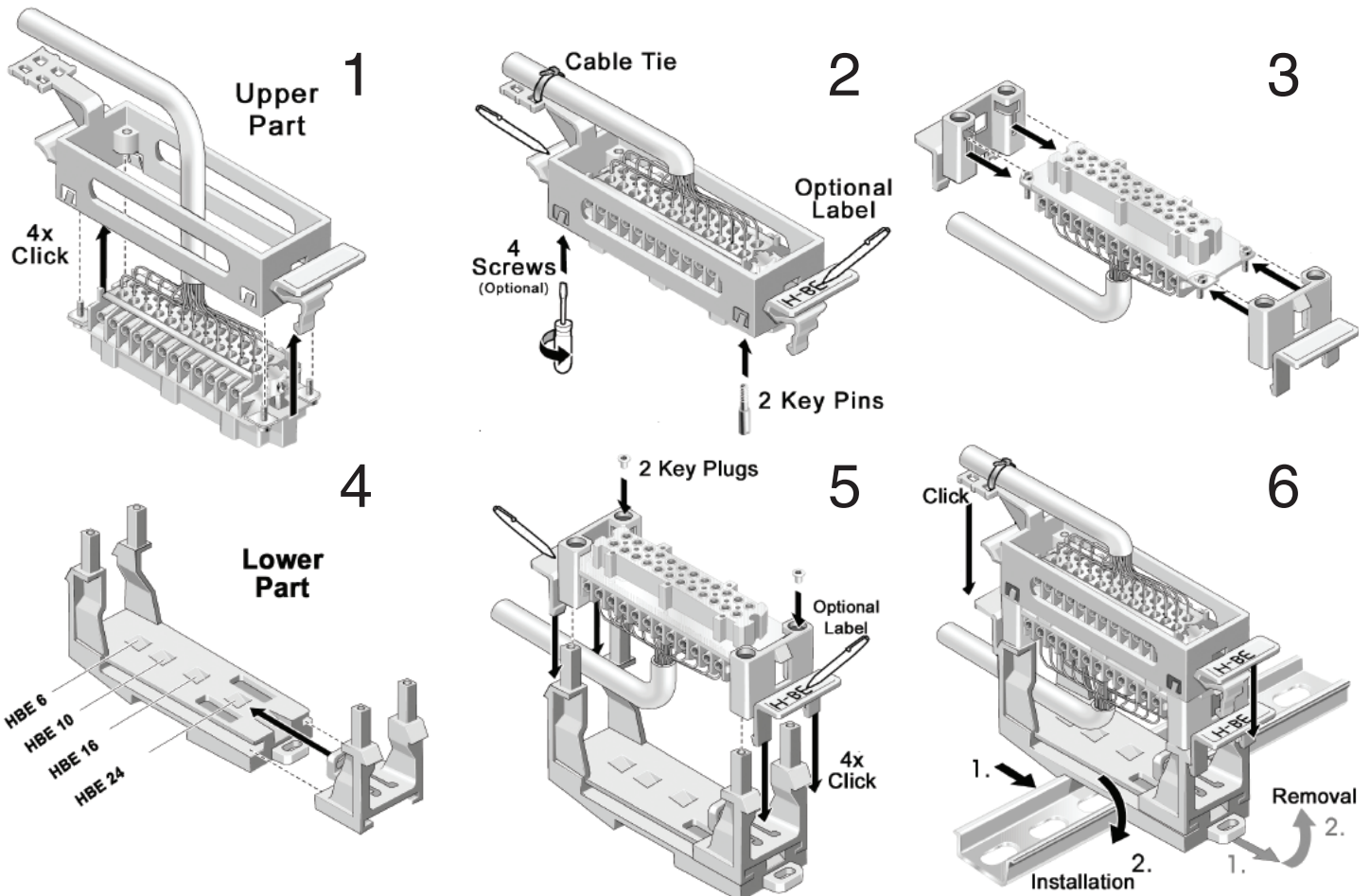
EPIC® Connector Accessories

Quick & Easy Din Rail Adapters

FITTING THE PIECES TOGETHER



SIX EASY STEPS: CLICK, SNAP, READY!



EPIC® Connector Accessories

Tools

CRIMP TOOL

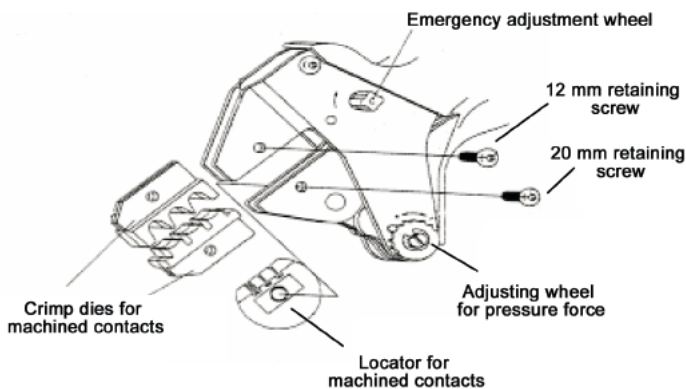
The crimping tool will be delivered in a tool case. The crimp dies, locators, and removal tools are sold separately.



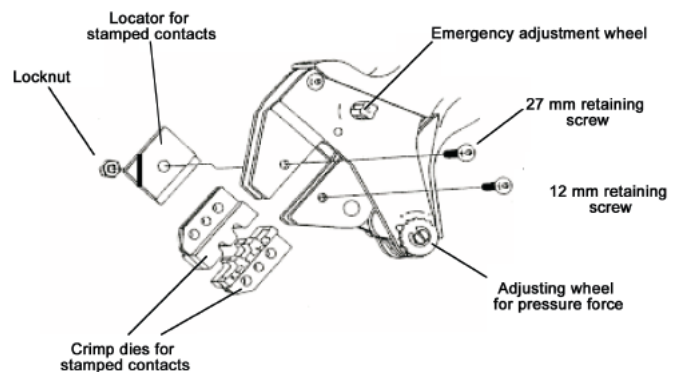
Part #:
11147000

Crimp Range: 0.14 to 10 mm² (AWG 26- 8)

ASSEMBLY FOR MACHINED CONTACTS



ASSEMBLY FOR STAMPED & FORMED CONTACTS



FIBER OPTIC TOOLS



**Fiber Optic
Assembly Tool Set**
11184700

Part #:	Description
11184000	Crimp tool: 1.0 mm
11184100	Locator
11184200	Stripping tool for fiber optic cable
11184300	Knife
11184400	Polishing paper
11184500	Polishing plate
11161000	Removal tool