

# SKINTOP® CLICK & CLICK FLEX

Click. Turn. Done.

**NEW!**



800-774-3539  
[www.lappusa.com](http://www.lappusa.com) • [www.lappcanada.com](http://www.lappcanada.com)



**LAPP GROUP**

# SKINTOP® CLICK/ CLICK-R



Liquid Tight, Non-Metallic Strain Relief with Quick “Click” Insertion System

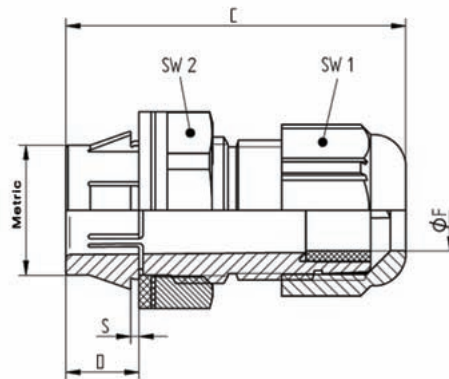
SKINTOP® CLICK is an innovative cable insertion system that provides fast, highly flexible assembly. Easy snap in place installation results in fixed, centered, strain relief with maximum protection in seconds.

**Recommended Applications:**

Applications where locknut installation is difficult to reach or secure, such as dual wall enclosures and temperature controlled assemblies where insulation is used.

**Application Advantage:**

- Up to 70% installation time savings due to innovative CLICK system
- Ideal for hard to reach dual wall enclosures and limited access spaces
- Reduced inventory as no locknuts are required
- The heavy duty SKINTOP® design provides great pullout strength and very reliable strain relief
- Superior integrated locking mechanism includes an internal ratchet for vibration proof protection



\* Includes 1 disassembly tool per pack

**Technical Data:**

	Materials:			Color:	Black (RAL 9005), UV Resistant
	Body:	Special Polyamide		Gray (RAL 7001)	
	Seal:	Special Elastomer			
	Temperature range:	-20°C to +100°C		Protection:	IP 68, 5 bar (M16 - M32)
				IP 68, 4 bar (M12)	

**SKINTOP® CLICK: Liquid Tight, Non-Metallic Strain Relief with Metric Threads**

Black	Part Number Gray	Thread Type & Size	UL Status	Clamping Range inches	SW1/ SW2 Wrenching Flats inches	C Overall Length inches	D Thread Length inches	M Hole inches	S Wall Thickness inches	Standard Pack Size
	53112923	53112921 M-12	R	.138 - .276	0.591/ 0.709	1.575	0.315	0.484 (-.008)	.039 - .157	50
	53112882	53112876 M-16	R	.197 - .354	0.748/ 0.866	1.654	0.315	0.642 (-.008)	.039 - .157	50
	53112883	53112877 M-20	L	.276 - .512	0.984/ 1.063	1.791	0.315	0.799 (-.008)	.039 - .157	25
	53112884	53112878 M-25	L	.354 - .669	1.181/ 1.339	1.909	0.315	0.996 (-.008)	.039 - .157	25
	53112924	53112922 M-32	L	.433 - .827	1.417/ 1.575	2.165	0.315	1.272 (-.008)	.039 - .157	25

**SKINTOP® CLICK-R: Liquid Tight, Non-Metallic Strain Relief with Reducer Bushing & Metric Threads**

Black	Part Number Gray	Thread Type & Size	UL Status	Clamping Range inches	SW1/ SW2 Wrenching Flats inches	C Overall Length inches	D Thread Length inches	M Hole inches	S Wall Thickness inches	Standard Pack Size
	53112929	53112927 M-12	R	.039 - .197	0.591/ 0.709	1.575	0.315	0.484 (-.008)	.039 - .157	50
	53112885	53112879 M-16	R	.157 - .276	0.748/ 0.866	1.654	0.315	0.642 (-.008)	.039 - .157	50
	53112886	53112880 M-20	L	.197 - .394	0.984/ 1.063	1.791	0.315	0.799 (-.008)	.039 - .157	25
	53112887	53112881 M-25	L	.236 - .512	1.181/ 1.339	1.909	0.315	0.996 (-.008)	.039 - .157	25
	53112931	53112928 M-32	L	.276 - .591	1.417/ 1.575	2.165	0.315	1.272 (-.008)	.039 - .157	25

UL Status: R = Recognized; L = Listed



# SKINTOP® CLICK FLEX



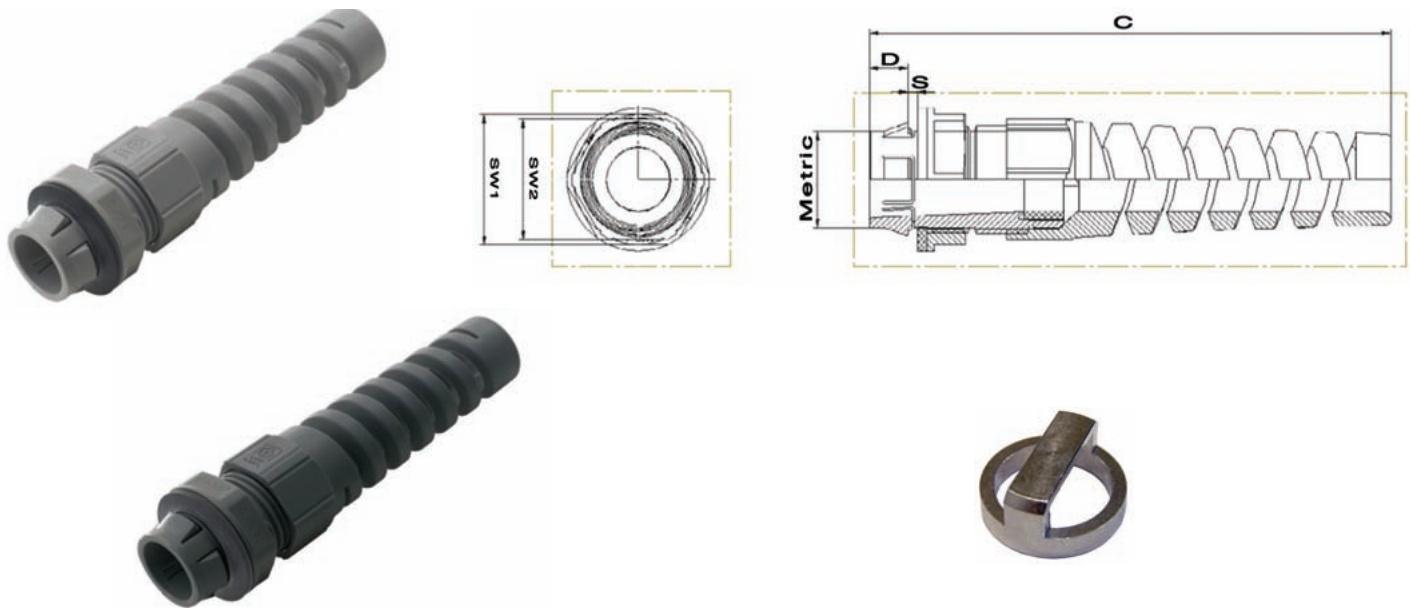
Liquid Tight, Non-Metallic Quick “Click” Insertion System with Spiral Strain Relief for Additional Bending Protection

SKINTOP® CLICK FLEX is an innovative cable insertion system that provides fast, highly flexible assembly. Easy snap in place installation results in fixed, centered, strain relief with maximum protection in seconds.

Liquid tight, spiral strain relief offers additional safety against overstress and conductor breakage for applications such as hand held equipment, moving machinery and robotics.

### Application Advantage:

- Up to 70% installation time savings due to innovative CLICK system
- Ideal for hard to reach dual wall enclosures and limited access spaces
- Reduced inventory as no locknuts are required
- The heavy duty SKINTOP® design provides great pullout strength and very reliable strain relief
- Superior integrated locking mechanism includes an internal ratchet for vibration proof protection



\* Includes 1 disassembly tool per pack

## Technical Data:





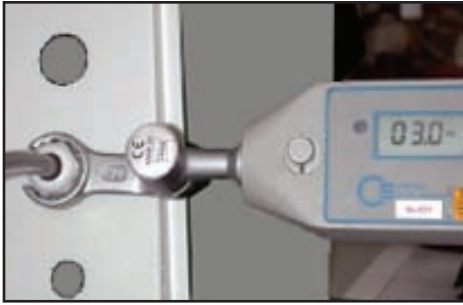
<b>Materials:</b> Body: Special Polyamide Seal: Special Elastomer	<b>Color:</b> Black (RAL 9005), UV Resistant Gray (RAL 7001)
<b>Temperature range:</b> -20°C to +100°C	

## SKINTOP® CLICK FLEX: Liquid Tight, Non-Metallic Spiral Strain Relief with Metric Threads

Black	Part Number Gray	Thread Type & Size	UL Status	Clamping Range inches	SW1/ SW2 Wrenching Flats inches	C Overall Length inches	D Thread Length inches	M Hole inches	S Wall Thickness inches	Standard Pack Size
53112936	53112934	M-12	R	.138 - .276	0.591/ 0.709	2.913	0.315	0.484 (-.008)	.039 - .157	50
53112909	53112906	M-16	R	.197 - .354	0.748/ 0.866	3.701	0.315	0.642 (-.008)	.039 - .157	50
53112911	53112907	M-20	L	.276 - .512	0.984/ 1.063	4.252	0.315	0.799 (-.008)	.039 - .157	25
53112912	53112908	M-25	L	.354 - .669	1.181/ 1.339	5.000	0.315	0.996 (-.008)	.039 - .157	25
53112937	53112935	M-32	L	.433 - .827	1.417/ 1.575	6.102	0.315	1.272 (-.008)	.039 - .157	25

UL Status: R = Recognized; L = Listed

## SKINTOP® CLICK Assembly Instructions

 <p>1. Position and press the gland into the housing. (All snap-fits have to be clicked)</p>	 <p>2. Fasten the gland with counter clockwise rotation of the pressure nut.</p>	 <p>3. Lead the cable through.</p>
 <p>4. Tighten the cap nut by hand with a clockwise rotation while holding the pressure nut.</p>	 <p>5. Retighten the cap nut with prescribed torque.</p>	

## SKINTOP® CLICK Disassembly Instructions

 <p>1. Position the disassembly tool over the latch and push to unlock.</p>	 <p>2. Open latch system by pressing with both thumbs on SKINTOP® CLICK.</p>	 <p>3. Push out SKINTOP® CLICK with both thumbs.</p>
---	--	---

Thread Type & Size	Diameter for unthreaded holes (inches)	SKINTOP® CLICK & CLICK FLEX Clamping Range $\varnothing F$ (inches)	SKINTOP® CLICK-R Clamping Range $\varnothing F$ (inches)	Torque M[Nm]
M-12	.484 - (-.008)	.138 - .276	.039 - .197	1.8
M-16	.642 - (-.008)	.197 - .354	.157 - .276	2.5
M-20	.799 - (-.008)	.276 - .512	.197 - .394	6
M-25	.996 - (.008)	.354 - .669	.236 - .512	8
M-32	1.272 - (-.008)	.433 - .827	.276 - .591	10