

SKINTOP® ATEX K-M/ KR-M

Liquid Tight, Non-Metallic Cable Gland according to ATEX for Hazardous Areas with Metric Threads

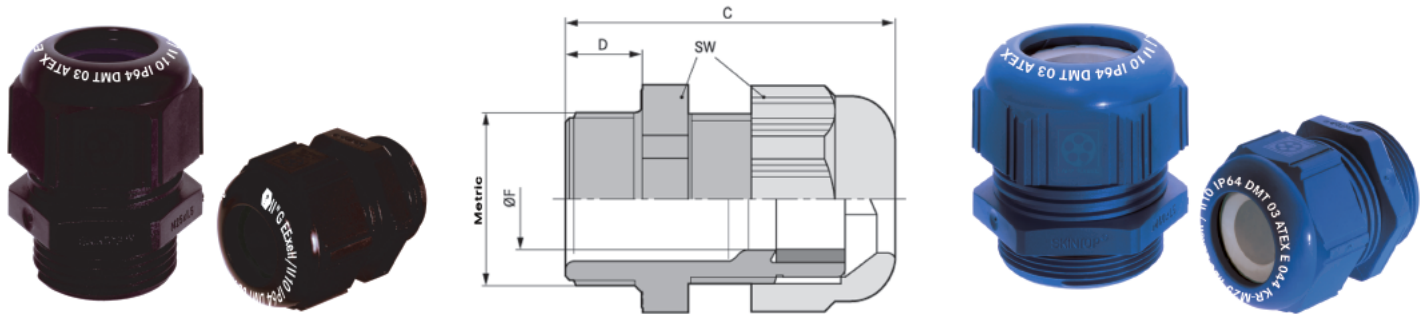


SKINTOP® ATEX K-M and SKINTOP® ATEX KR-M were developed for use in areas with risk of explosion and cables used with fail-safe circuits in housings and devices which require class “e” security. SKINTOP® ATEX K-M and SKINTOP® ATEX KR-M are recommended for use in the chemical and petrochemical industry, mobile offshore and marine applications.

SKINTOP® ATEX KR-M is equipped with a reducer bushing to seal cables with a smaller outer diameter.

Application Advantage:

- The heavy duty SKINTOP® design provides great pullout strength and very reliable strain relief
- Superior integrated locking mechanism includes an internal ratchet for vibration proof protection
- Multi-trapezoidal thread requires just one twist to tighten
- Equipment Group II, Category 2G + 1D



Technical Data:

Materials:	Body: Special Polyamide	Protection:	IP 68, 10 Bar
	Seal: Special Elastomer	Temperature range:	-20°C to +80°C
Color:	- Black (RAL 9005) UV Resistant - Blue (RAL 5015)		
Locknut:	Not Permitted		

SKINTOP® K-M: Special Cable Gland According to ATEX with Metric Threads

Part Number Black	Part Number Blue	Thread Type & Size	Clamping Range øF inches	SW Wrenching Flats inches	C Overall Length inches	D Thread Length inches	Standard Pack Size
54115200	54115400	M-12X1.5	0.118 - 0.217	0.591	1.043	.315	50
54115210	54115410	M-16X1.5	0.276 - 0.354	0.748	1.142	.315	50
54115220	54115420	M-20X1.5	0.276 - 0.512	0.984	1.339	.354	50
54115230	54115430	M-25X1.5	0.433 - 0.669	1.181	1.378	.394	25
54115240	54115440	M-32X1.5	0.472 - 0.827	1.417	1.535	.394	25
54115250	54115450	M-40X1.5	0.748 - 1.102	1.811	1.693	.394	10
54115260	54115460	M-50X1.5	1.063 - 1.378	2.165	2.126	.472	5
54115270	54115470	M-63X1.5	1.417 - 1.772	2.598	2.323	.472	5

SKINTOP® KR-M: Special Cable Gland According to ATEX with Reducer Bushing & Metric Threads

Part Number Black	Part Number Blue	Thread Type & Size	Clamping Range øF inches	SW Wrenching Flats inches	C Overall Length inches	D Thread Length inches	Standard Pack Size
54115205	54115405	M-12X1.5	0.079 - 0.157	0.591	1.043	.315	50
54115215	54115415	M-16X1.5	0.157 - 0.236	0.748	1.142	.315	50
54115225	54115425	M-20X1.5	0.197 - 0.394	0.984	1.339	.354	50
54115235	54115435	M-25X1.5	0.236 - 0.512	1.181	1.378	.394	25
54115245	54115445	M-32X1.5	0.354 - 0.591	1.417	1.535	.394	25
54115255	54115455	M-40X1.5	0.630 - 0.906	1.811	1.693	.394	10
54115265	54115465	M-50X1.5	0.866 - 1.142	2.165	2.126	.472	5
54115275	54115475	M-63X1.5	1.142 - 1.535	2.598	2.323	.472	5