

SKINTOP® ST-HF-M

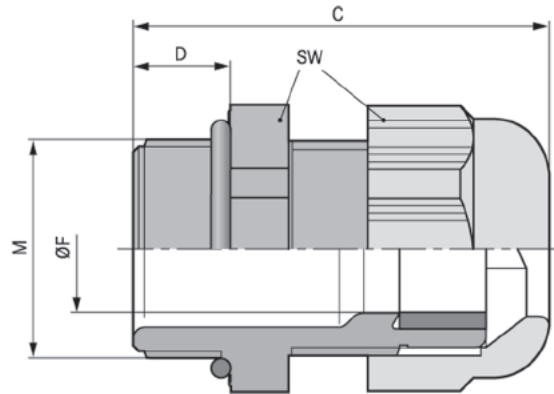


Halogen-Free, Liquid Tight, Non-Metallic Strain Relief Cable Gland with Metric Threads

SKINTOP® ST-HF-M is an easy to assemble, halogen-free, metric cable gland for use when personal and property protection is a priority such as public buildings, underground railways, mass transportation systems, ventilation systems and industrial plants.

Application Advantage:


- Completely halogen-free providing safe LSOH performance
- Extremely flame-retardant and self-extinguishing with no dripping
- The heavy duty SKINTOP® design provides great pullout strength and very reliable strain relief
- Superior integrated locking mechanism includes an internal ratchet for vibration proof protection
- Multi-trapezoidal thread requires just one twist to tighten





Complete the installation with:


 Cable O.D. Page 486	 EPIC® Connectors: Page 258	 SKINTOP® DIX Page 524	 Plugs Page 526
---	--	---	--

Technical Data:

 **Materials:**
Body: Polyamide UL 94 V0 halogen-free
Bushing: Halogen-free
O-Rings: Halogen-free

 **Color:** Lt Gray (RAL 7035) available upon request

 **IP Seal:** IP 68

 **Temperature range:** -20°C to +100°C

SKINTOP® ST-HF-M: Halogen-Free, Liquid Tight, Non-Metallic Strain Relief with Metric Threads

Part Number	Thread Type & Size	Clamping Range øF inches	SW Wrenching Flats inches	C Overall Length inches	D Thread Length inches	Standard Pack Size
53111407	M-12X1.5	.157 - .217	0.591	1.181	.315	100
53111417	M-16X1.5	.177 - .354	0.748	1.339	.315	100
53111427	M-20X1.5	.276 - .512	0.984	1.457	.354	100
53111437	M-25X1.5	.354 - .669	1.181	1.575	.394	50
53111447	M-32X1.5	.433 - .827	1.417	1.850	.394	25