

EPIC® Pin & Sleeve Connectors

Construction of Connectors

MULTIMAX Connectors

Spring loaded cover automatically protects against dirt and splashed water when connector is not engaged. Color-coding identifies voltage.

Contact carrier protects recessed contacts and orients the ground contact position based on voltage rating. Prevents connector mis-mating.

High copper solid brass, self adjusting contacts provide easy insertion/withdrawal and minimizes heat buildup.

Longer ground contact assures first-make, last break connection

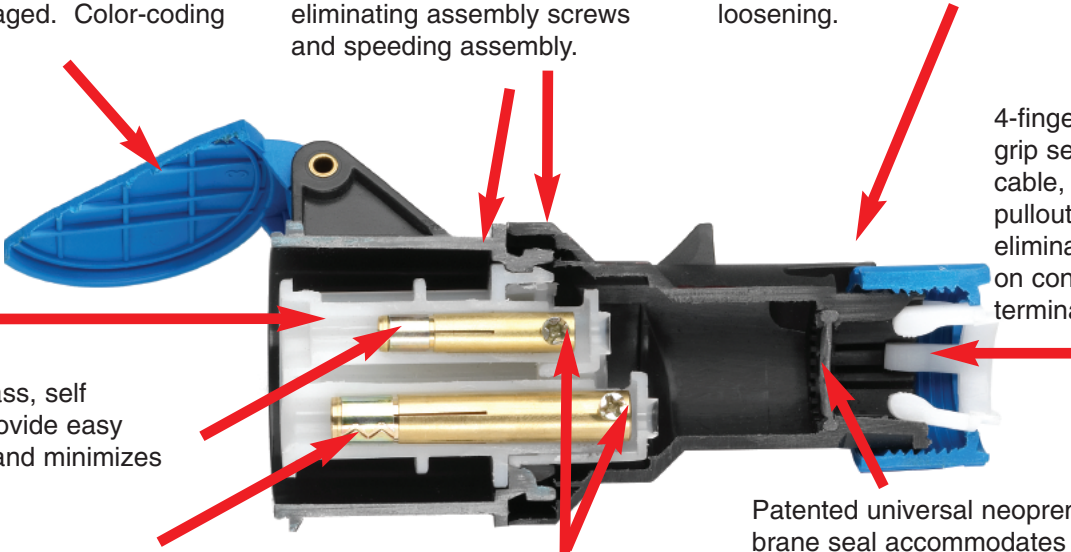
Patented click-lock housing locks and unlocks in 1/16th turn eliminating assembly screws and speeding assembly.

Contact terminal screws all face the same direction to simplify wiring.

Patented self-locking cable grip is vibration proof and prevents accidental loosening.

4-finger cable grip secures cable, prevents pullout, and eliminates strain on contact terminals.

Patented universal neoprene membrane seal accommodates a wide range of cable diameters and cable surface irregularities. Seals out dirt, splashed water, and contaminants.



CEE IP 44 Connectors

High-impact, non-conductive thermoplastic housing enhances electrical safety and provides excellent chemical resistance.

Retaining tab engages with mating connector's cover to prevent unintentional withdrawal.

CEE male contacts are nickel plated, high copper solid brass, for easy insertion/withdrawal, improved chemical resistance, and minimum heat buildup.

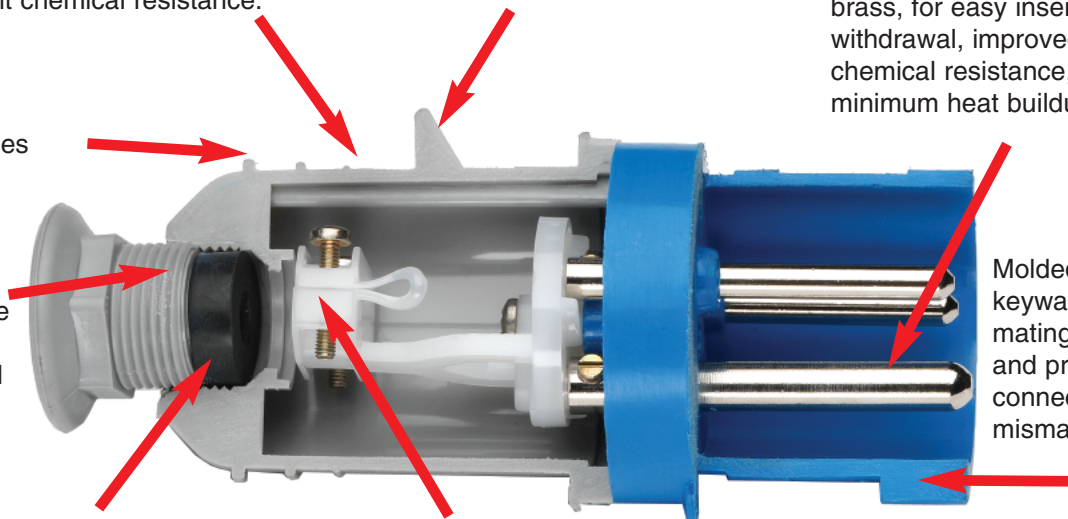
Ribbed body provides secure hand grip.

Threaded cable gland protects cable jacket and accepts a variety of optional SKINTOP® strain reliefs and cable glands.

Neoprene onion skin grommet accommodates a wide range of cable diameters. Seals out dirt, and contaminants and is water-tight.

Internal, saddle type cable clamp secures cable, prevents pullout, and eliminates strain on contact terminals.

Molded housing keyway aligns mating devices and prevents connector mismatching.



EPIC® Pin & Sleeve Connectors

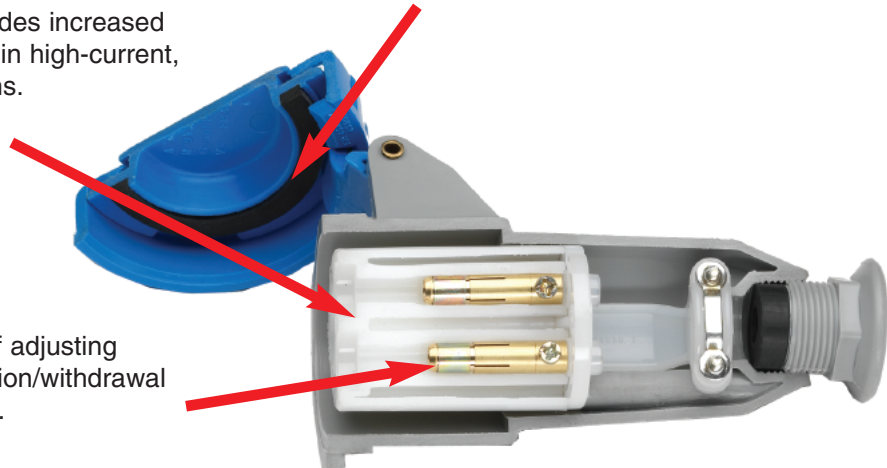
Construction of Connectors

CEE IP 67 Connectors

Contact carrier protects recessed contacts and orients the ground contact position based on voltage rating. Prevents connector mis-mating. Use of thermoset plastic above 60 amps provides increased flame and arcing resistance in high-current, high-temperature applications.

Spring loaded, gasketed, locking cover automatically protects against dirt and water when connector is not engaged. Color coding identifies voltage.

High copper solid brass, self adjusting contacts provide easy insertion/withdrawal and minimizes heat build up.



Molded housing keyway aligns mating devices and prevents connector mismating.

CEE IP 67 Plugs

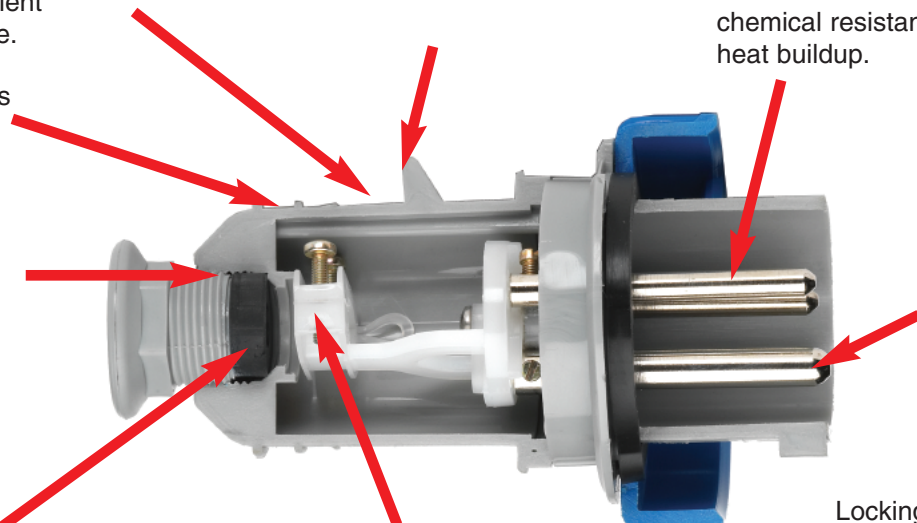
High impact, non-conductive thermoplastic housing enhances electrical safety and provides excellent chemical resistance.

Retaining tab engages with mating connector's cover to prevent unintentional withdrawal.

CEE male contacts are nickel plated, high copper solid brass, for easy insertion/ withdrawal, improved chemical resistance, and minimum heat buildup.

Ribbed body provides secure hand grip.

Threaded cable gland protects cable jacket and accepts a variety of optional SKINTOP® strain relief and cable glands.



Longer ground contact assures first-make, last break connection.

Neoprene onion skin grommet accommodates a wide range of cable diameters. Seals out dirt, and contaminants and is water-tight.

Internal, saddle type cable clamp secures cable, prevents pullout, and eliminates strain on contact terminals.

Locking ring and gasket provide IP 67 water-tight seal when mated with connector.