

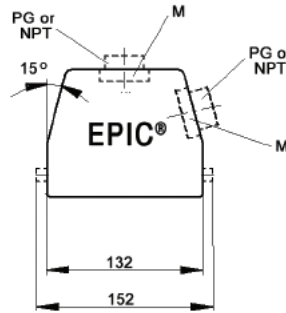
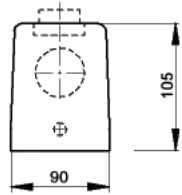
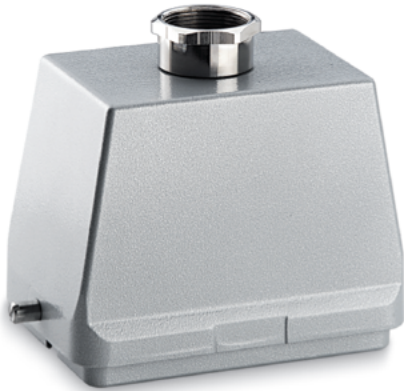
EPIC® Rectangular Connectors



HBE 48 Housings: Single Lever on Base

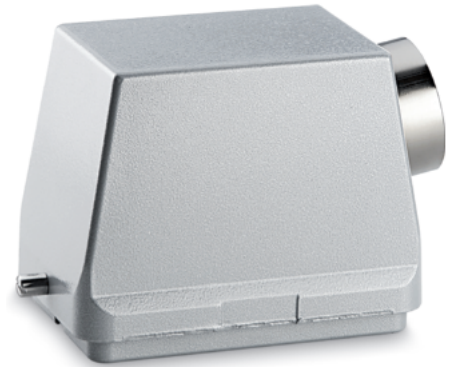
HOODS

TOP ENTRY



All dimensions are in mm.

SIDE ENTRY



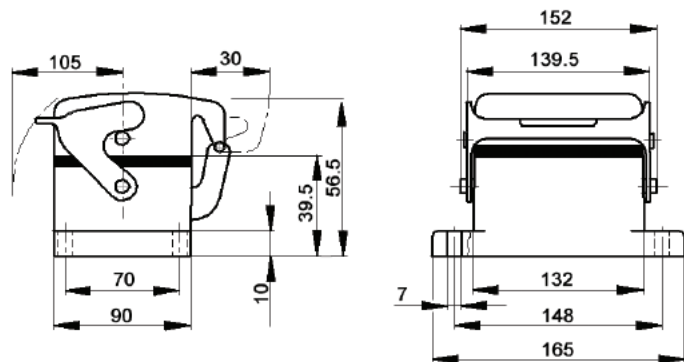
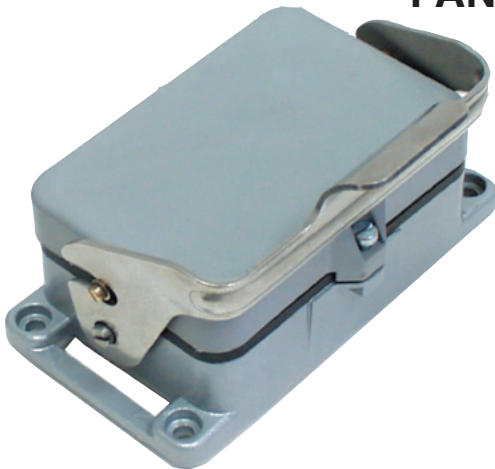
Specifications: DIN 43652
Temperature Range: -40°C to +125°C

Protection class: NEMA 4, NEMA 12, IP65
Material: Aluminum alloy, powder coated

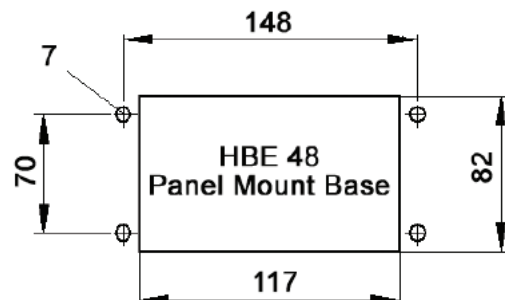
Position of Cable Entry	Size of Entry			Part Numbers			Complete your installation with a SKINTOP®, Pg 352			
	PG	NPT	Metric	PG	NPT	Metric	PG- Nylon	PG- Metal	Metric- Nylon	Metric- Metal
Top Entry	29	1"	32	101550	101550NP	19155000	53015160	52015760	53111040	53111040
	36	1 1/4"	40	101560	101560NP	19156000	53015170	52015765	53111050	53112050
	42	-	50	101570	-	19157000	53015180	52015766	53111060	53112060
Side Entry	29	1"	32	101580	101580NP	19158000	53015160	52015760	53111040	53111040
	36	1 1/4"	40	101590	101590NP	19159000	53015170	52015765	53111050	53112050
	42	-	50	101600	-	19160000	53015180	52015766	53111060	53112060

Metric hoods do not come with a neck.

PANEL MOUNT BASES



Specifications: DIN 43652
Temperature Range: -40°C to +125°C
Protection class: NEMA 4, NEMA 12, IP65
Material: Aluminum alloy, powder coated



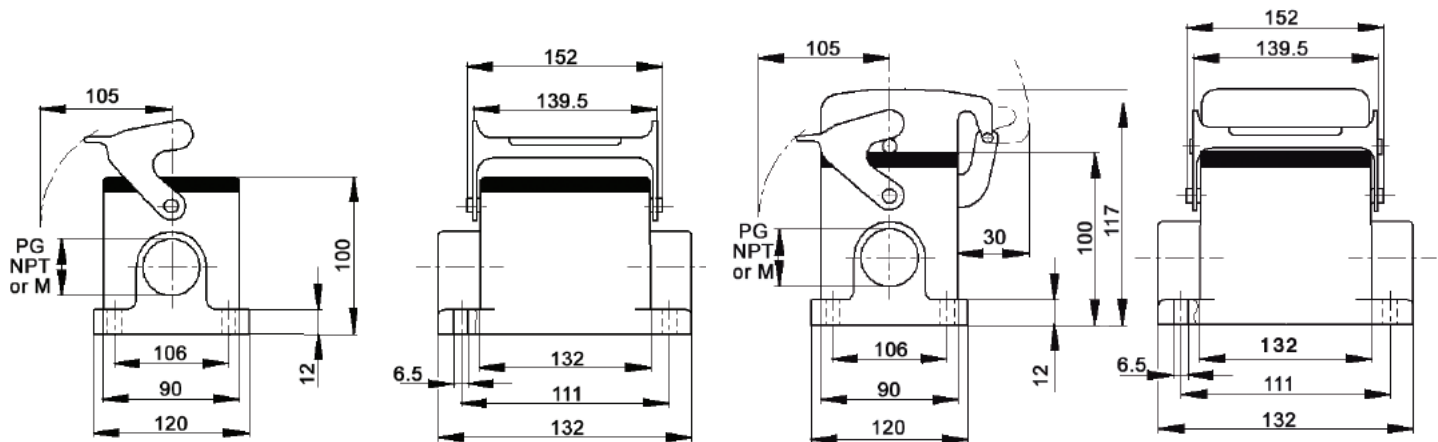
Without Dust Cover	With Dust Cover with hold down screw and no dust cover bolts	With Dust Cover and dust cover bolts
10161000	10152000	10152500

EPIC® Rectangular Connectors



HBE 48 Housings: Single Lever on Base

SURFACE MOUNT BASES



Specifications: DIN 43652
Temperature Range: -40°C to +125°C

Protection class: NEMA 4, NEMA 12, IP65
Material: Aluminum alloy, powder coated

All dimensions are in mm.

# of Entries	Size of Entry			Part Numbers			Complete your installation with a SKINTOP®, Pg 352			
	PG	NPT	Metric	PG	NPT	Metric	PG- Nylon	PG- Metal	Metric- Nylon	Metric- Plastic
2 Entries	29	1"	32	101660	101660NP	19166000	53015160	52015760	53111040	53112040
	36	1 1/4"	40	101661	101661NP	19166100	53015170	52015765	53111050	53112050
1 Entry	29	1"	32	101650	101650NP	19165000	53015160	52015760	53111040	53112040
	36	1 1/4"	40	101651	101651NP	19165100	53015170	52015765	53111050	53112050
2 Entries w/ dust cover	29	1"	32	101680	101680NP	19168000	53015160	52015760	53111040	53112040
	36	1 1/4"	40	101681	101681NP	19168100	53015170	52015765	53111050	53112050
1 Entry with dust cover	29	1"	32	101670	101670NP	19167000	53015160	52015760	53111040	53112040
	36	1 1/4"	40	101671	101671NP	19167100	53015170	52015765	53111050	53112050