

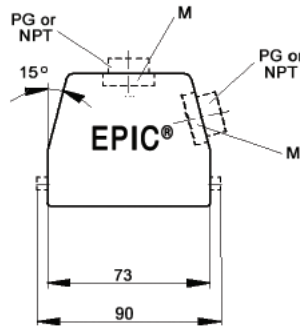
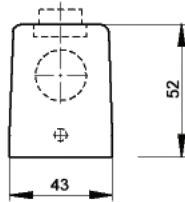
# EPIC® Rectangular Connectors



HBE 10 Housings: Single Lever on Base

## HOODS

### TOP ENTRY



### SIDE ENTRY



All dimensions are in mm.

**Specifications:** DIN 43652  
**Temperature Range:** -40°C to +125°C

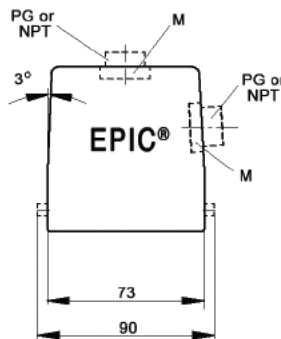
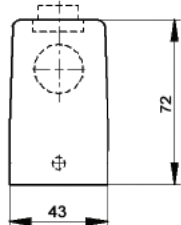
**Protection class:** NEMA 4, NEMA 12, IP65  
**Material:** Aluminum alloy, powder coated

Position of Cable Entry	Size of Entry			Part Numbers			Complete your installation with a SKINTOP®, Pg 352			
	PG	NPT	Metric	PG	NPT	Metric	PG- Nylon	PG- Metal	Metric- Nylon	Metric- Metal
Top Entry	16	1/2"	20	100409	100409NP	19040900	53015140	52015740	53111020	53112020
	21	3/4"	25	100407	100407NP	19040700	53015150	52015750	53111030	53112030
Side Entry	16	1/2"	20	100429	100429NP	19042900	53015140	52015740	53111020	53112020
	21	3/4"	25	100428	100428NP	19042800	53015150	52015750	53111030	53112030

Top Entry metric hoods do not come with a neck.

## HIGH PROFILE HOODS

### TOP ENTRY



### SIDE ENTRY



All dimensions are in mm.

**Specifications:** DIN 43652  
**Temperature Range:** -40°C to +125°C

**Protection class:** NEMA 4, NEMA 12, IP65  
**Material:** Aluminum alloy, powder coated

Position of Cable Entry	Size of Entry			Part Numbers			Complete your installation with a SKINTOP®, Pg 352			
	PG	NPT	Metric	PG	NPT	Metric	PG- Nylon	PG- Metal	Metric- Nylon	Metric- Metal
Top Entry	21	3/4"	25	700442	700442NP	79044200	53015150	52015750	53111030	53112030
	29	1"	32	700444	700444NP	79044400	53015160	52015760	53111040	53112040
Side Entry	21	3/4"	25	700542	700542NP	79054200	53015150	52015750	53111030	53112030
	29	1"	32	700544	700544NP	79054400	53015160	52015760	53111040	53112040

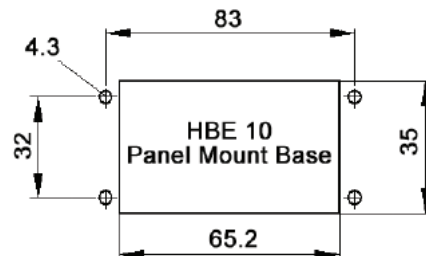
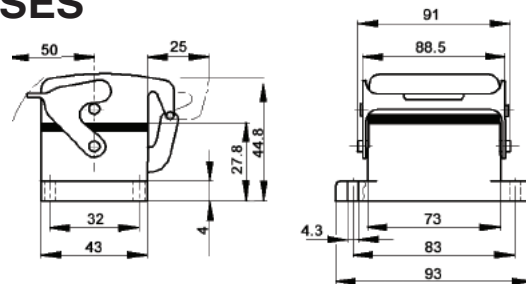
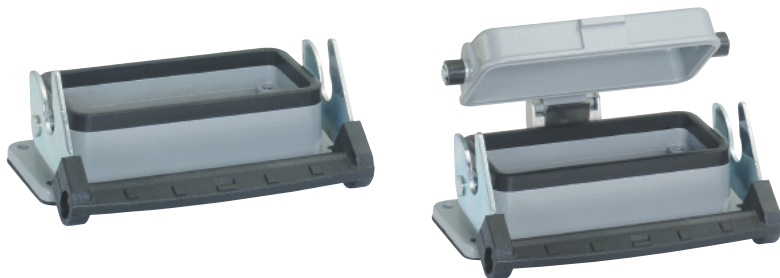
High Profile Metric hoods do not come with a neck.

# EPIC® Rectangular Connectors



HBE 10 Housings: Single Lever on Base

## PANEL MOUNT BASES

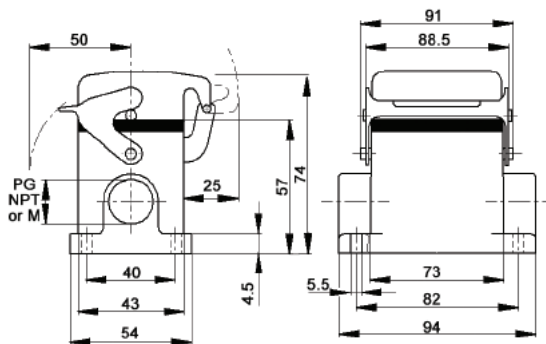
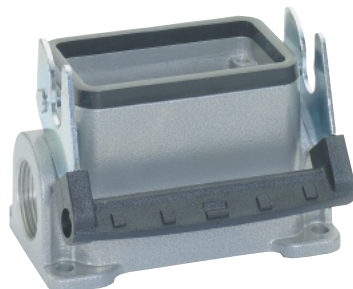


Specifications: DIN 43652  
 Temperature Range: -40°C to +125°C  
 Protection class: NEMA 4, NEMA 12, IP65  
 Material: Aluminum alloy, powder coated

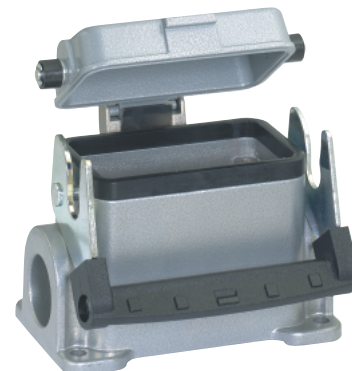
Description	Part Numbers
Panel Mount without Dust Cover	10032900
Panel Mount with Dust Cover	10033900

All dimensions are in mm.

## SURFACE MOUNT BASES



All dimensions are in mm.



Specifications: DIN 43652  
 Temperature Range: -40°C to +125°C

Protection class: NEMA 4, NEMA 12, IP65  
 Material: Aluminum alloy, powder coated

# of Entries	Size of Entry			Part Numbers			Complete your installation with a SKINTOP®, Pg 352			
	PG	NPT	Metric	PG	NPT	Metric	PG- Nylon	PG- Metal	Metric- Nylon	Metal
2 Entries	16	1/2"	20	100359	100359NP	19035900	53015140	52015740	53111020	53112020
1 Entry	16	1/2"	20	100349	100349NP	19034900	53015140	52015740	53111020	53112020
	21	3/4"	25	100347	100347NP	19034700	53015150	52015750	53111030	53112030
2 Entries w/ dust cover	16	1/2"	20	100389	100389NP	19038900	53015140	52015740	53111020	53112020
1 Entry with dust cover	16	1/2"	20	100369	100369NP	19036900	53015140	52015740	53111020	53112020

## DUST COVERS WITH ATTACHMENT STRING

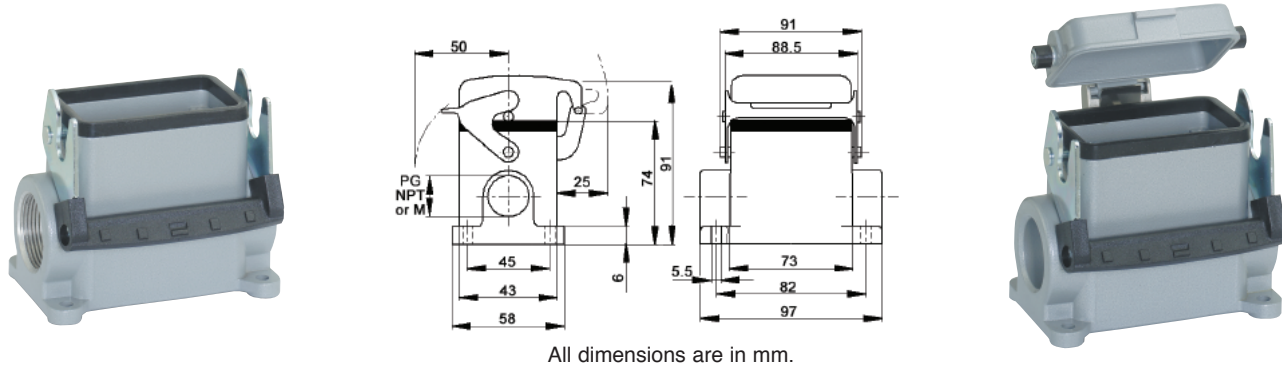


Material: Thermoplastic Resin

Temperature: -40°C to 125°C

	Part #
Dust cover with single lever for HBE 10 Hoods	10048600
Dust cover with single lever bolts for HBE 10 Panel Mount or Surface Mount Base/ Cable Coupler Hood	10048700

### HIGH PROFILE SURFACE MOUNT BASES



All dimensions are in mm.

**Specifications:** DIN 43652  
**Temperature Range:** -40°C to +125°C

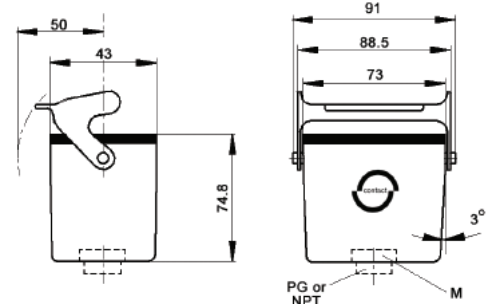
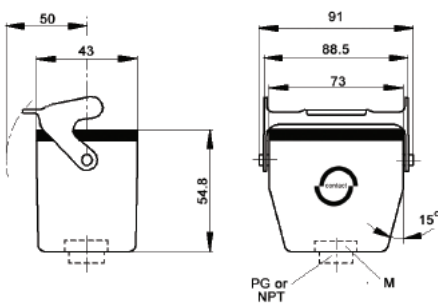
**Protection class:** NEMA 4, NEMA 12, IP65  
**Material:** Aluminum alloy, powder coated

# of Entries	Size of Entry			Part Numbers			Complete your installation with a SKINTOP®, Pg 352			
	PG	NPT	Metric	PG	NPT	Metric	PG- Nylon	PG- Metric	Metric- Nylon	Metric- Metal
<b>2 Entries</b>	21	3/4"	25	700612	700612NP	79061200	53015150	52015750	53111030	53112030
	29	1"	32	700614	700614NP	79061400	53015160	52015760	53111040	53112040
<b>1 Entry</b>	21	3/4"	25	700602	700602NP	79060200	53015150	52015750	53111030	53112030
	29	1"	32	700604	700604NP	79060400	53015160	52015760	53111040	53112040
<b>2 Entries with dust cover</b>	21	3/4"	25	700652	700652NP	79065200	53015150	52015750	53111030	53112030
	29	1"	32	700654	700654NP	79065400	53015160	52015760	53111040	53112040
<b>1 Entry with dust cover</b>	21	3/4"	25	700642	700642NP	79064200	53015150	52015750	53111030	53112030
	29	1"	32	700644	700644NP	79064400	53015160	52015760	53111040	53112040

### CABLE COUPLER HOODS

#### STANDARD PROFILE

#### HIGH PROFILE



**Specifications:** DIN 43652  
**Temperature Range:** -40°C to +125°C

**Protection class:** NEMA 4, NEMA 12, IP65  
**Material:** Aluminum alloy, powder coated

Profile	Size of Entry			Part Numbers			Complete your installation with a SKINTOP®, Pg 352			
	PG	NPT	Metric	PG	NPT	Metric	PG- Nylon	PG- Metal	Metric- Nylon	Metric- Metal
<b>Standard Profile</b>	16	1/2"	20	100469	100469NP	19046900	53015140	52015740	53111020	53112030
	21	3/4"	25	700422	700422NP	79042200	53015150	52015750	53111030	53112030
<b>High Profile</b>	21	3/4"	25	700424	700424NP	79042400	53015150	52015750	53111030	53112030
	29	1"	32	700426	700426NP	79042600	53015160	52015760	53111040	53112040

Cable coupler metric hoods do not come with a neck.

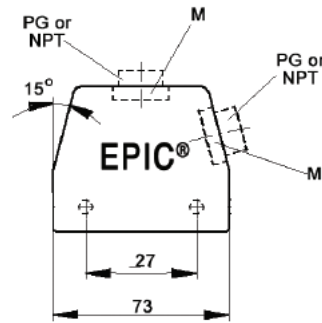
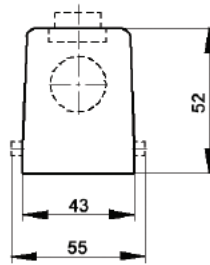
# EPIC® Rectangular Connectors



HBE 10 Housings: Double Levers on Base

## HOODS

### TOP ENTRY



### SIDE ENTRY



All dimensions are in mm.

**Specifications:** DIN 43652  
**Temperature Range:** -40°C to +125°C

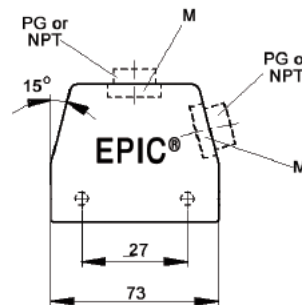
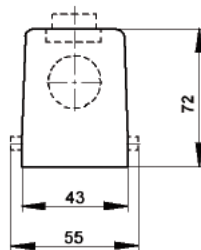
**Protection class:** NEMA 4, NEMA 12, IP65  
**Material:** Aluminum alloy, powder coated

Position of Cable Entry	Size of Entry			Part Numbers			Complete your installation with a SKINTOP®, Pg 352			
	PG	NPT	Metric	PG	NPT	Metric	PG- Nylon	PG- Metal	Metric- Nylon	Metric- Metal
Top Entry	16	1/2"	20	100400	100400NP	19040000	53015140	52015740	53111020	53112020
	21	3/4"	25	100401	100401NP	19040100	53015150	52015750	53111030	53112030
Side Entry	16	1/2"	20	100420	100420NP	19042000	53015140	52015740	53111020	53112020
	21	3/4"	25	100421	100421NP	19042100	53015150	52015750	53111030	53112030

Top Entry Metric hoods do not come with a neck.

## HIGH PROFILE HOODS

### TOP ENTRY



### SIDE ENTRY



All dimensions are in mm.

**Specifications:** DIN 43652  
**Temperature Range:** -40°C to +125°C

**Protection class:** NEMA 4, NEMA 12, IP65  
**Material:** Aluminum alloy, powder coated

Position of Cable Entry	Size of Entry			Part Numbers			Complete your installation with a SKINTOP®, Pg 352			
	PG	NPT	Metric	PG	NPT	Metric	PG- Nylon	PG- Metal	Metric- Nylon	Metric- Metal
Top Entry	21	3/4"	25	700504	700504NP	79050400	53015150	52015750	53111030	53112030
	29	1"	32	700506	700506NP	79050600	53015160	52015760	53111040	53112040
Side Entry	21	3/4"	25	700524	700524NP	79052400	53015150	52015750	53111030	53112030
	29	1"	32	700526	700526NP	79052600	53015160	52015760	53111040	53112040

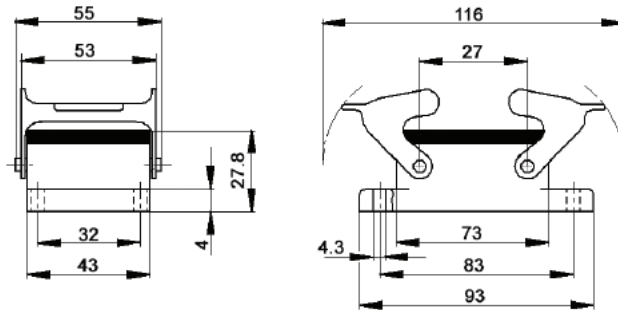
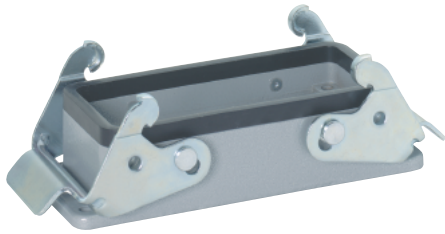
High Profile Metric hoods do not come with a neck.

# EPIC® Rectangular Connectors



HBE 10 Housings: Double Levers on Base

## PANEL MOUNT BASES

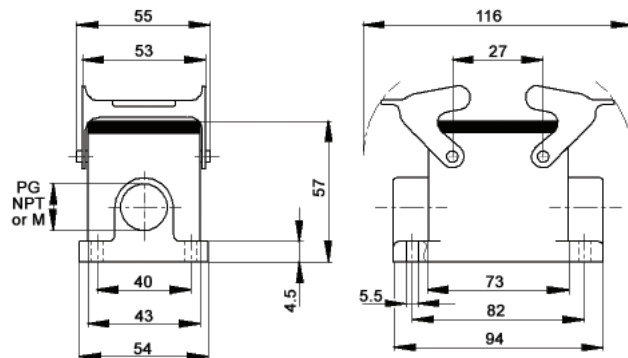
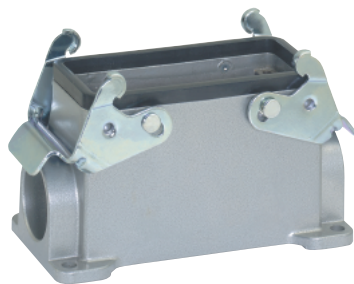


All dimensions are in mm.

**Specifications:** DIN 43652  
**Temperature Range:** -40°C to +125°C  
**Protection class:** NEMA 4, NEMA 12, IP65  
**Material:** Aluminum alloy, powder coated

Description	Part Numbers
Panel Mount without Dust Cover	100320C0

## SURFACE MOUNT BASES



All dimensions are in mm.

**Specifications:** DIN 43652  
**Temperature Range:** -40°C to +125°C  
**Protection class:** NEMA 4, NEMA 12, IP65  
**Material:** Aluminum alloy, powder coated

# of Entries	Size of Entry			Part Numbers			Complete your installation with a SKINTOP®, Pg 352			
	PG	NPT	Metric	PG	NPT	Metric	PG- Nylon	PG- Metal	Metric- Nylon	Metric- Metal
2 Entries without cover	16	1/2"	20	100350	100350NP	19035000	53015140	52015740	53111020	53112020
	-	-	25	-	-	19035100	-	-	53111030	53112030
1 Entry without dust cover	16	1/2"	20	100340	100340NP	19034000	53015140	52015740	53111020	53112020
	-	-	25	-	-	19034100	-	-	53111030	53112030

## DUST COVERS WITH ATTACHMENT STRING



**Material:** Thermoplastic Resin

**Temperature:** -40°C to +125°C

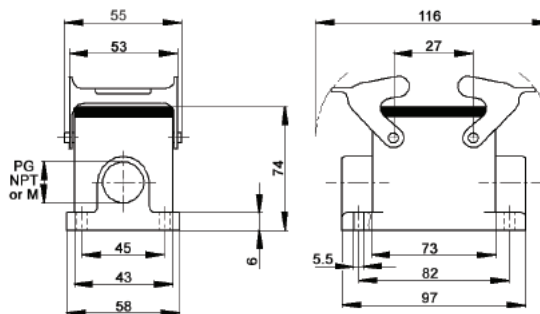
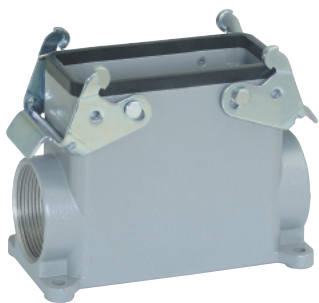
	Part #
Dust cover with double levers and gasket for HBE 10 Hoods	10048500
Dust cover with double lever bolts for HBE 10 Panel Mount or Surface Mount Base/ Cable Coupler Hood	10047000
Dust cover with double lever bolts and gasket for HBE 10 Hoods	10047100

# EPIC® Rectangular Connectors



HBE 10 Housings: Double Levers on Base

## HIGH PROFILE SURFACE MOUNT BASES



All dimensions are in mm.

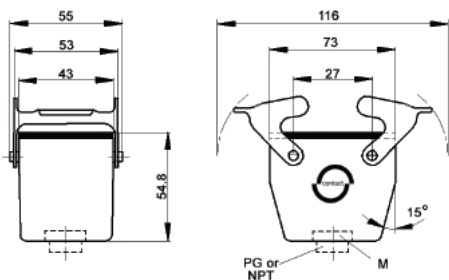
**Specifications:** DIN 43652  
**Temperature Range:** -40°C to +125°C

**Protection class:** NEMA 4, NEMA 12, IP65  
**Material:** Aluminum alloy, powder coated

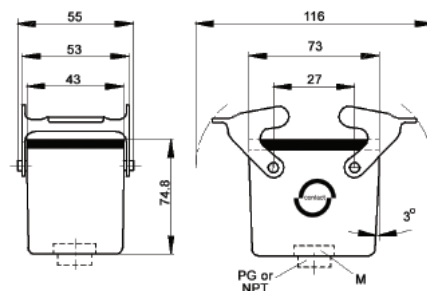
# of Entries	Size of Entry			Part Numbers			Complete your installation with a SKINTOP®, Pg 352			
	PG	NPT	Metric	PG	NPT	Metric	PG- Nylon	PG- Metal	Metric- Nylon	Metric- Metal
2 Entries without cover	21	3/4"	25	700362	700362NP	79036200	53015150	52015750	53111030	53112030
	29	1"	32	700364	700364NP	79036400	53015160	52015760	53111040	53112040
1 Entry without dust cover	21	3/4"	25	700352	700352NP	79035200	53015150	52015750	53111030	53112030
	29	1"	32	700354	700354NP	79035400	53015160	52015760	53111040	53112040

## CABLE COUPLER HOODS

### STANDARD PROFILE



### HIGH PROFILE



All dimensions are in mm.

**Specifications:** DIN 43652  
**Temperature Range:** -40°C to +125°C

**Protection class:** NEMA 4, NEMA 12, IP65  
**Material:** Aluminum alloy, powder coated

Profile	Size of Entry			Part Numbers			Complete your installation with a SKINTOP®, Pg 352			
	PG	NPT	Metric	PG	NPT	Metric	PG- Nylon	PG- Metal	Metric- Nylon	Metric- Metal
Standard Profile	16	1/2"	20	100460	100460NP	19046000	53015140	52015740	53111020	53112030
	21	3/4"	25	700402	700402NP	79040200	53015150	52015750	53111030	53112030
High Profile	21	3/4"	25	700404	700404NP	79040400	53015150	52015750	53111030	53112030
	29	1"	32	700406	700406NP	79040600	53015160	52015760	53111040	53112040

Metric hoods do not come with a neck.