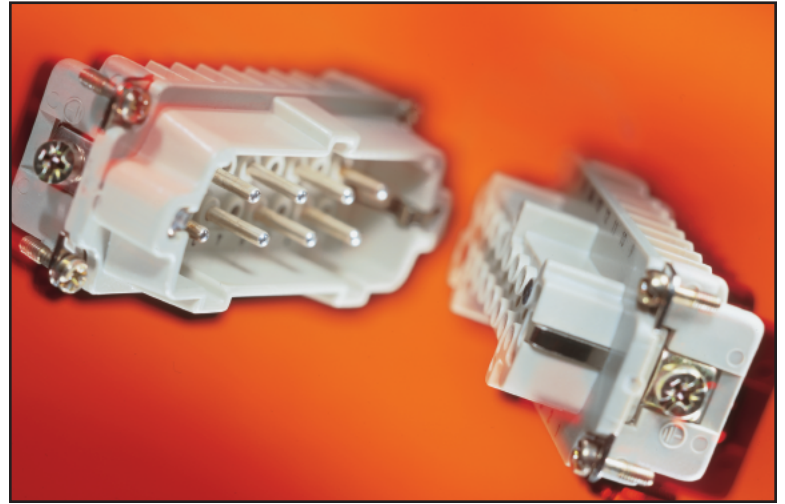


The HBVE series inserts are high voltage inserts which are equipped with switch contacts. The switch contacts lag when inserted which prevents insertion of the connectors when the system is alive. The switching contacts interrupt the power supply to the system before the working contacts are separated.



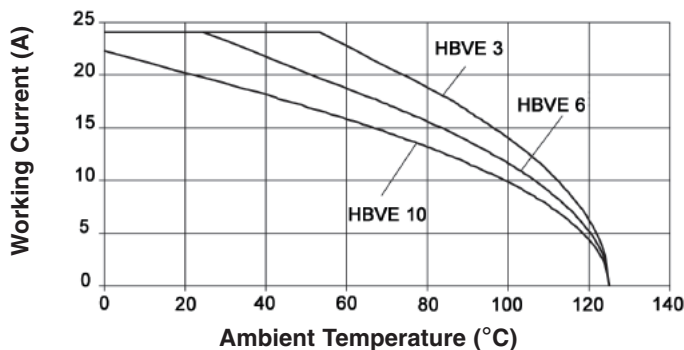
TECHNICAL DATA

Number of Contacts:	3, 6, 10 (+PE)	Termination Type:	0.5 - 2.5 mm ² AWG: 20 - 14
Rated Voltage:		Temperature Range:	-40°C to 125°C
Screw Terminated:	VDE: 630V EPIC HBVE 3 - 10 UL: 600V EPIC HBVE 3 - 10 CSA: 600V EPIC HBVE 3 - 10	Contacts:	Copper alloy, silver plated
Cage Clamp:	VDE: 830V EPIC HBVE 3	Contact Resistance:	<2mOhm
Rated Current:	VDE: 16A EPIC HBVE 3 - 10 UL: 16A EPIC HBVE 3 - 10 CSA: 16A EPIC HBVE 3 - 10	Mating Cycles:	100 (higher mating cycles depend on the application)
Pollution Level:	3		
Test Voltage:	6 kV		

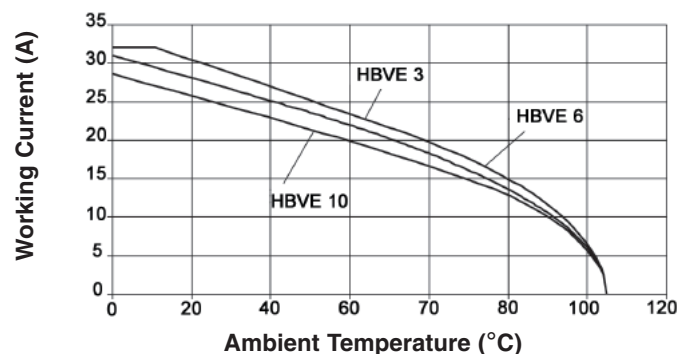
HBVE INSERTS TECHNICAL DATA: DERATING CURVES

SCREW TERMINATED

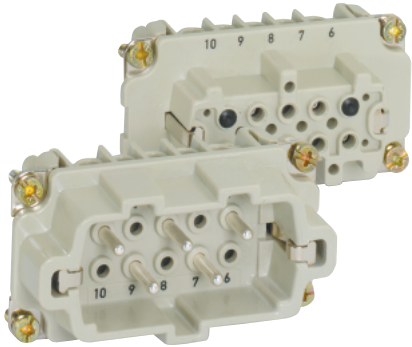
HBVE: 1.5 mm² (16 AWG)



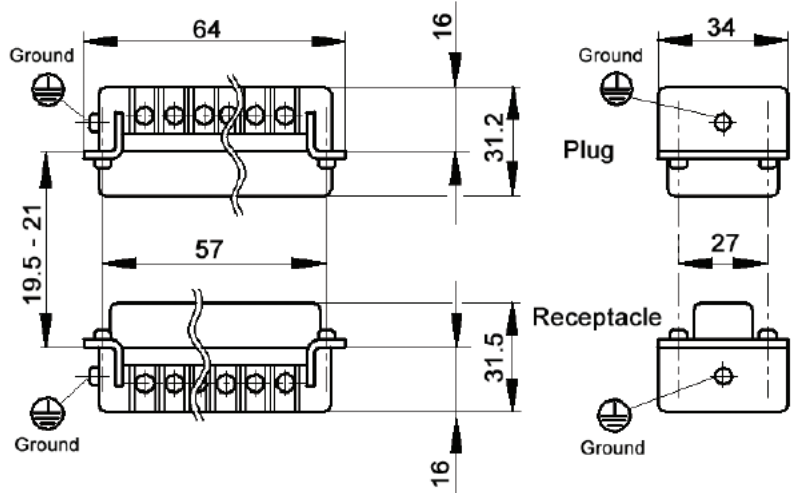
HBVE: 2.5 mm² (14 AWG)



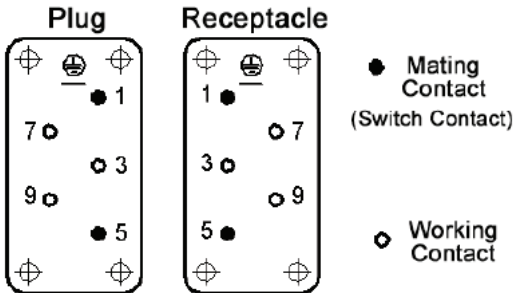
HBVE 3 SCREW TERMINATED INSERTS



View from cable side



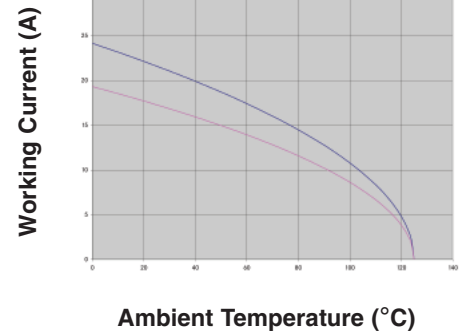
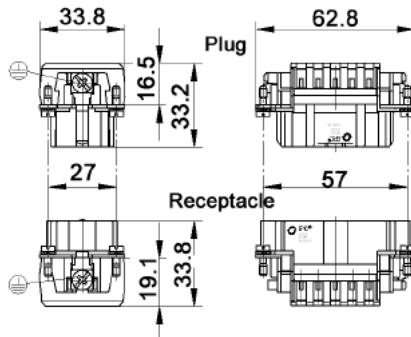
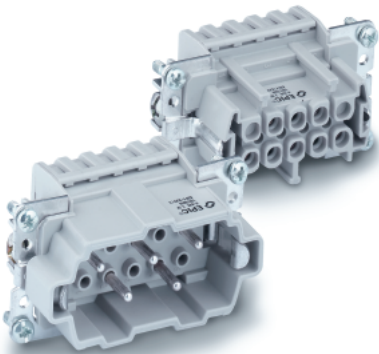
All dimensions are in mm.



HBVE 10
Pg 356

Description	Plug	Receptacle
With wire protection	10210010	10211010
Without wire protection	10210110	10211110

HBVE 3 CAGE CLAMP INSERTS



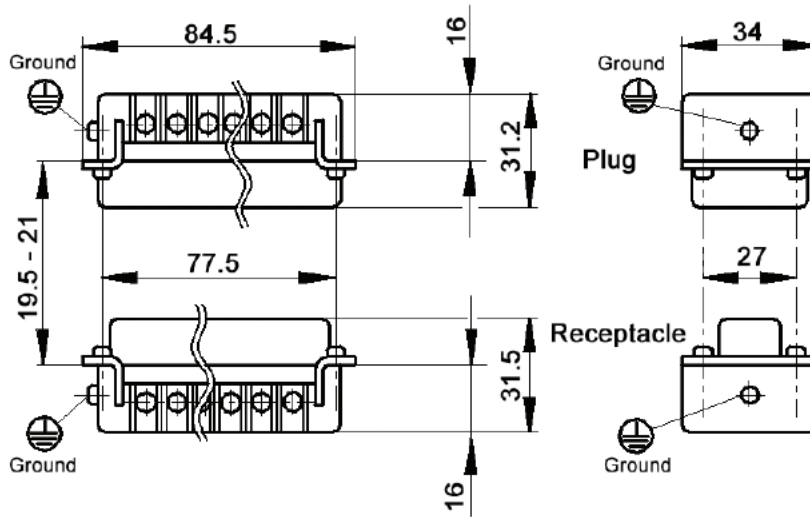
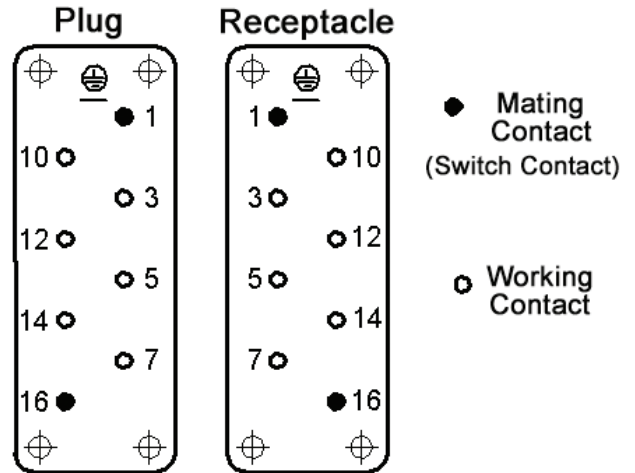
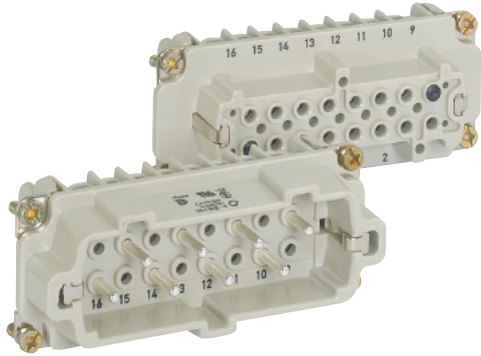
Plug	Receptacle
10210040	10211040



HBVE 10
Pg 356

HBVE 6 SCREW TERMINATED INSERTS

View from cable side



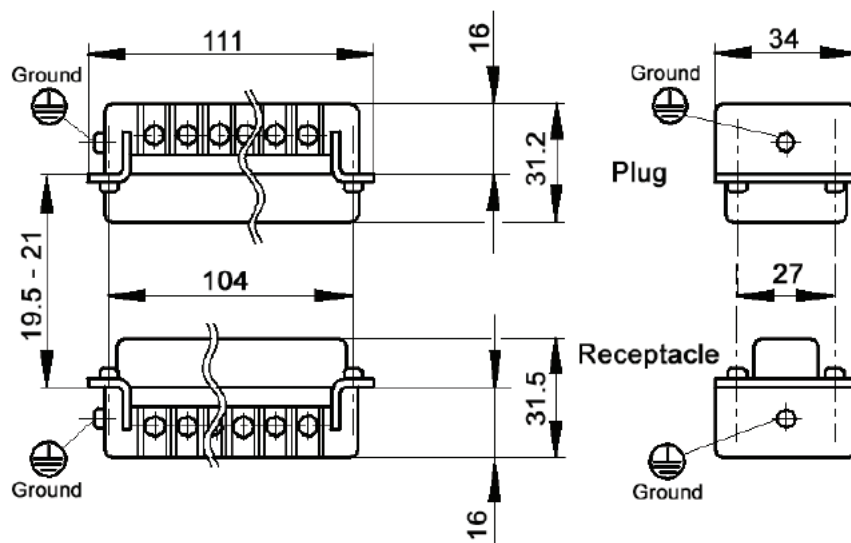
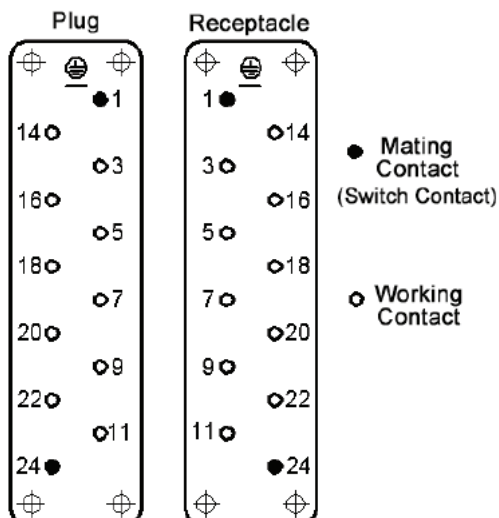
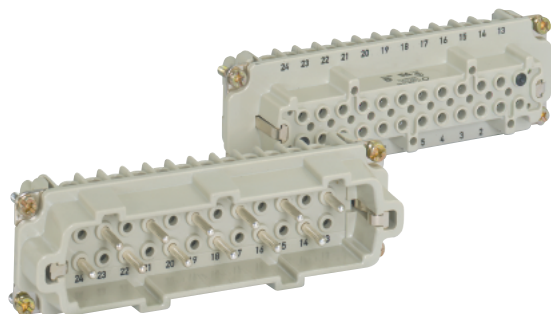
All dimensions are in mm.



Description	Plug	Receptacle
With wire protection	10239010	10240010
Without wire protection	10239110	10240110

HBVE 10 SCREW TERMINATED INSERTS

View from cable side



All dimensions are in mm.

Description	Plug	Receptacle
With wire protection	10270010	10271010
Without wire protection	10270110	10271110