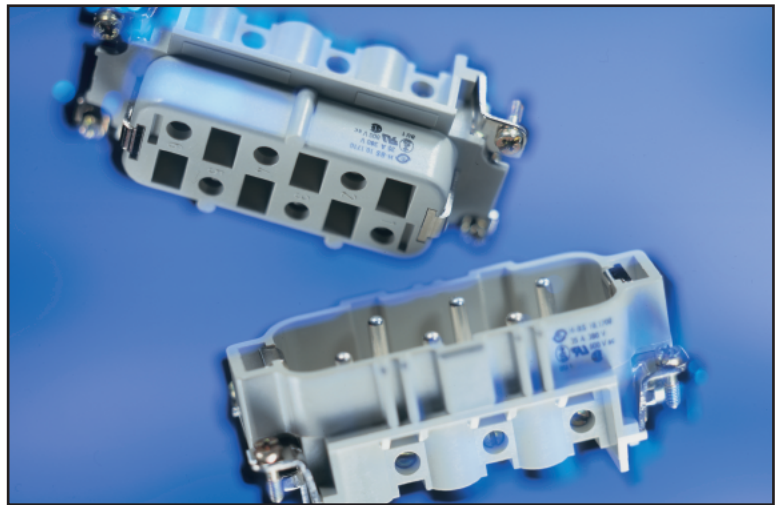


EPIC® Rectangular Connectors



HBS Series

The HBS series inserts are characterized by their high current carrying capacity. A secure electrical connection can be made by simple screw termination for cables up to 10 AWG.

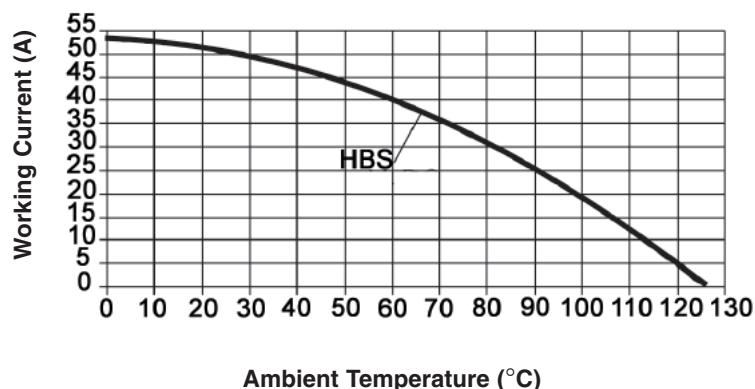


TECHNICAL DATA

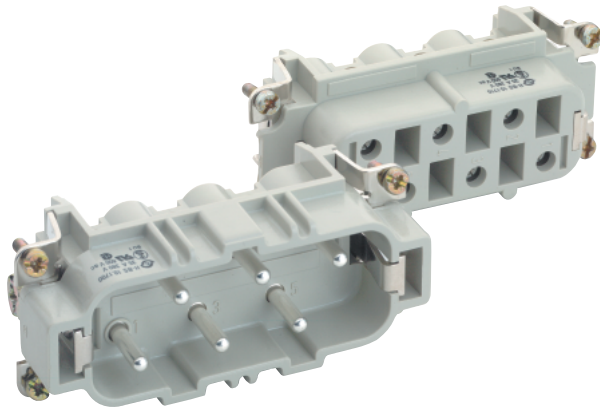
Number of Contacts:	6, 12 (+PE)	Pollution Level:	3
Rated Voltage:	VDE: 400V EPIC HBS 6 - 12 UL: 600V EPIC HBS 6 - 12 CSA: 600V EPIC HBS 6 - 12	Test Voltage:	6 kV
Rated Current:	VDE: 35A EPIC HBS 6 - 12 UL: 35A EPIC HBS 6 - 12 CSA: 35A EPIC HBS 6 - 12	Termination Type:	Screw termination: 0.5 - 6 mm ² AWG: 20 - 10
		Temperature Range:	-40°C to +125°C
		Contacts:	Copper alloy, silver plated
		Contact Resistance:	<2mOhm
		Mating Cycles:	100 (higher mating cycles depends on the application)

HBS INSERTS: DERATING CURVES

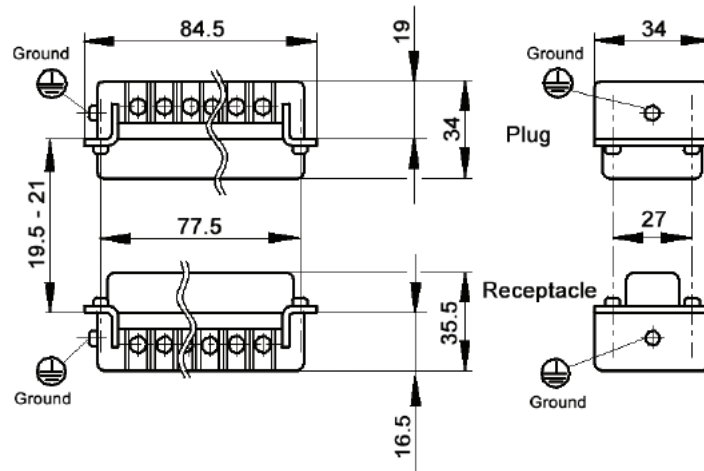
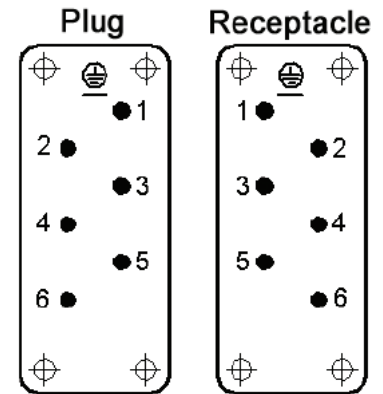
HBS: 6.0 mm² (10 AWG)



HBS 6 SCREW TERMINATED INSERTS



View from cable side

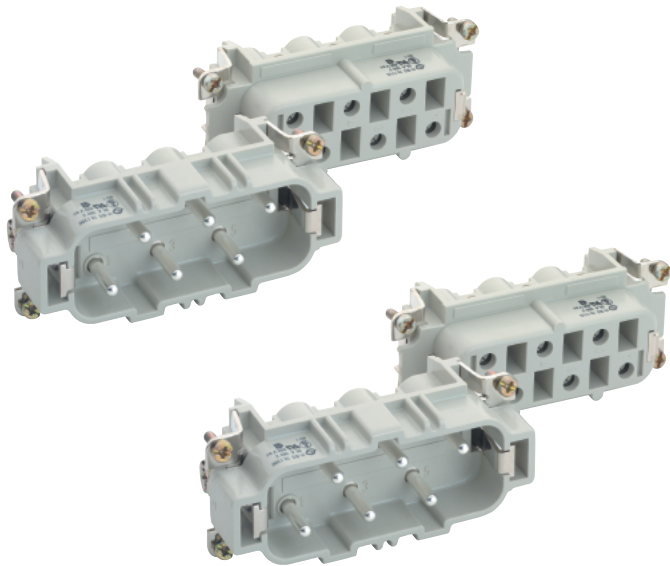


All dimensions are in mm.

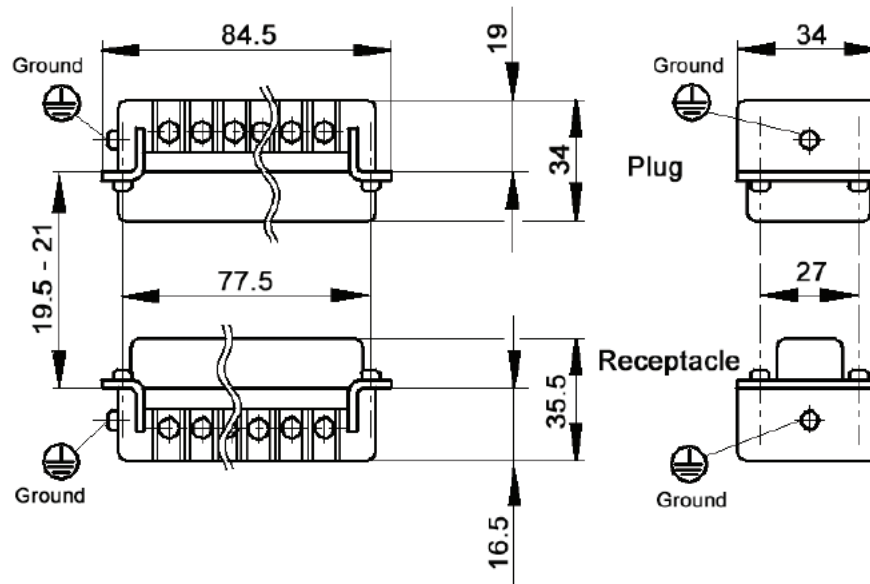
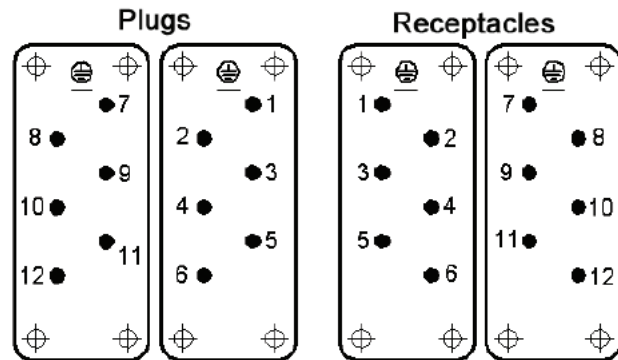


Description	Plug	Receptacle
#1-6	10170000	10171000

HBS 12 SCREW TERMINATED INSERTS



View from cable side



Description	Plug	Receptacle
#1-6	10170000	10171000
#7-12	10170600	10171600