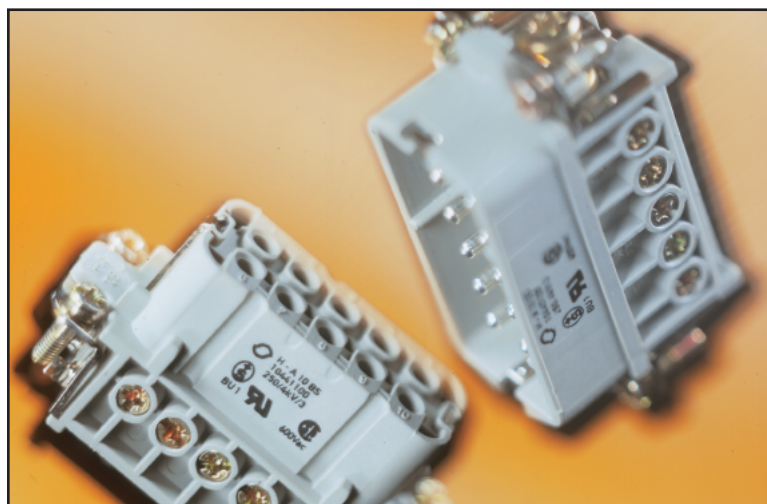


HA Series

The small HA 3/4 inserts are used whenever space is limited. The HA Series 10 - 48 inserts now have shortened ground straps. These inserts are unique because the wire cross section can still be up to 2.5 mm². The HA 3 - 48 screw terminated inserts fit into HA Series Housings. A modified HBE 48 Housing can fit 64 contacts.



TECHNICAL DATA

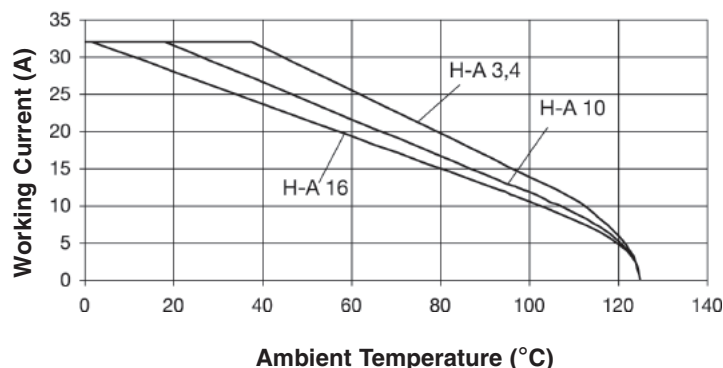
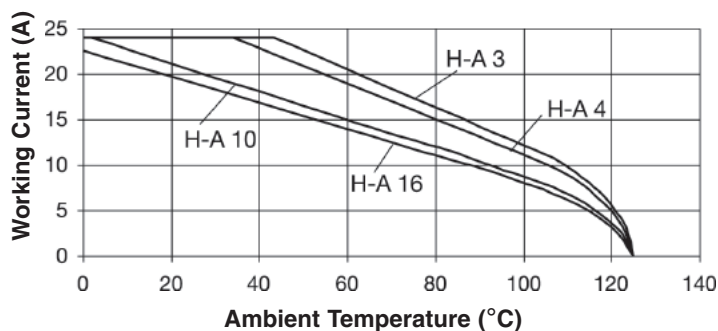
Number of Contacts:	3, 4, 10, 16, 32, 48, 64 (+PE)
Rated Voltage:	VDE: 400V EPIC® HA 3/4 250V EPIC® HA 10 - 64 UL: 600V EPIC® HA 3 - 64 CSA: 600V EPIC® HA 3 - 64 SEV: 250V EPIC® HA 3 - 64
Rated Current:	VDE: 10A EPIC® HA 3/4 16A EPIC® HA 10 - 64 UL: 10A EPIC® HA 3/4 14A EPIC® HA 10 - 64 CSA: 10A EPIC® HA 3/4 16A EPIC® HA 10 - 64 SEV: 16A EPIC® HA 3 - 64
Pollution Level:	3
Dimensioning Transient:	4 kV

Screw Termination:	<u>HA 3/4:</u> 0.5 - 2.5 mm ² (AWG: 20 - 14) for solid wire or stranded wire with short wire end ferrule and without insulation <u>HA 10 - 64:</u> • 0.5 - 1.5 mm ² (AWG: 20 - 14): for solid wire or stranded wire with wire end ferrule and with insulation. • 0.75 - 2.5 mm ² (18 - 14 AWG): for stranded wire without wire end ferrule (requires insert with wire protection)
Temperature Range:	-40°C to +125°C
Contacts:	Copper alloy, silver plated
Contact Resistance:	1.5 - 4 mOhm
Test Voltage:	4 kv
Mating Cycles:	100 (higher mating cycles depending on the application)

HA INSERTS: DERATING CURVES

1.5 mm² (16 AWG)

2.5mm² (14 AWG)



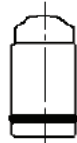
EPIC® Rectangular Connectors



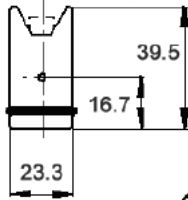
HA Plugs & Receptacles: Screw Terminated Inserts

HA 3/4 Inserts

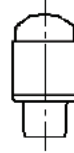
HA 3



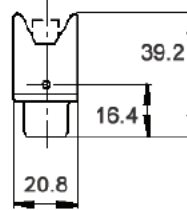
Plug



All dimensions are in mm.



Receptacle

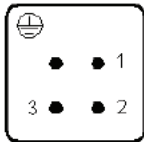
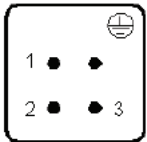


HA 4



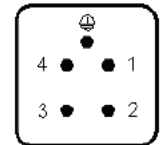
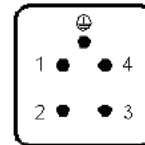
Plug

Receptacle



Plug

Receptacle



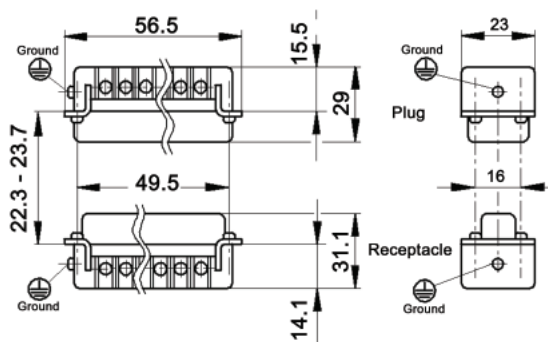
These inserts fit in the HA 3/4 Series Housings.

Description	Plug	Receptacle
HA 3	10420000	10421000
HA 4	10431000	10432000



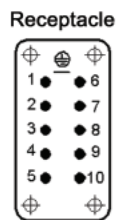
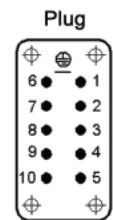
Coding Pin: 10451200

HA 10 Inserts



All dimensions are in mm.

View from cable side



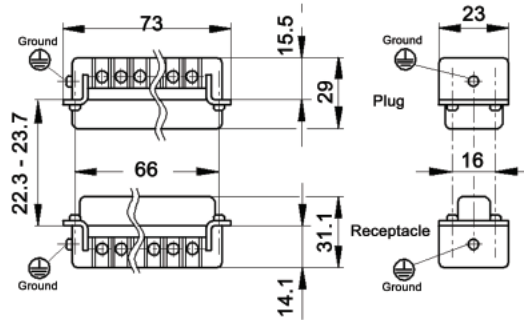
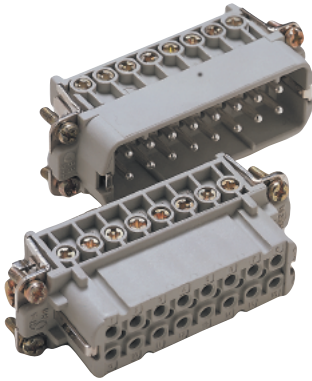
Description	Plug	Receptacle
HA 10 with Wire Protection	10440100	10441100
HA 10 without Wire Protection	10440000	10441000

EPIC® Rectangular Connectors

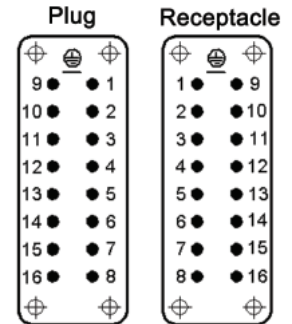


HA Plugs & Receptacles: Screw Terminated Inserts

HA 16 Inserts



View from cable side

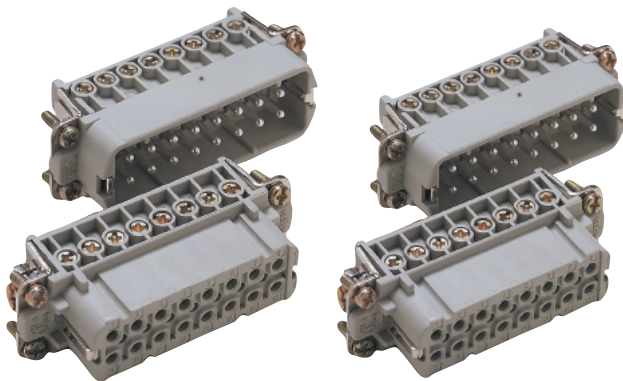


All dimensions are in mm.

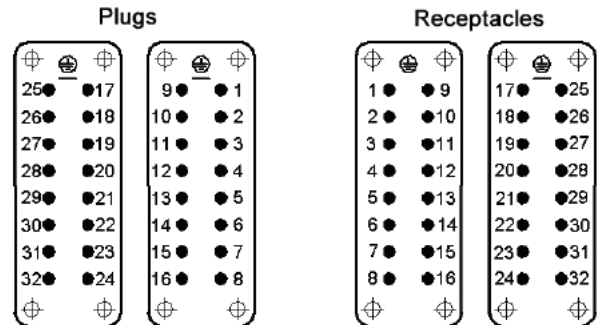


Description	Plug	Receptacle
HA 16 with Wire Protection	10530000	10531000
HA 16 without Wire Protection	10532000	10533000

HA 32 Inserts



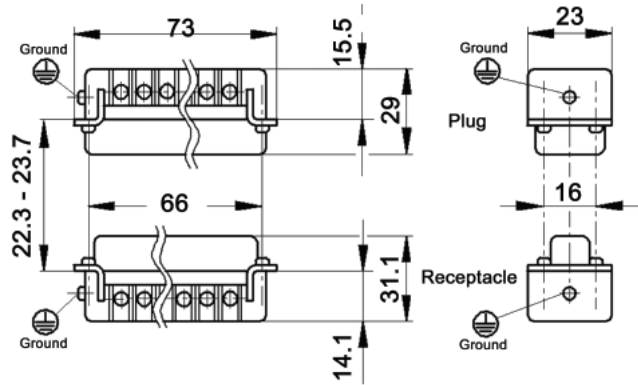
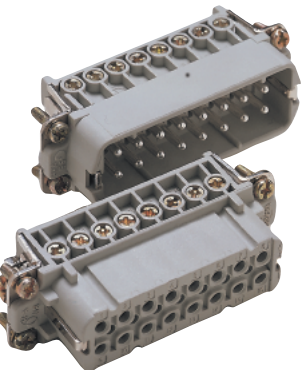
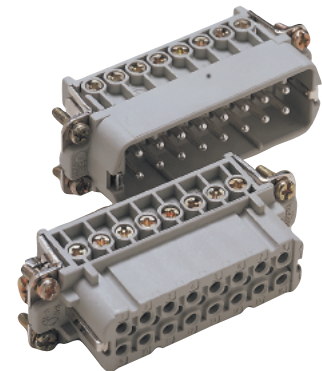
View from cable side



2 Sets of HA 16 Inserts

Description	Plug	Receptacle
#1-16 with Wire Protection	10530000	10531000
#17-32 with Wire Protection	10540000	10541000
#1-16 without Wire Protection	10532000	10533000
#17-32 without Wire Protection	10542000	10543000

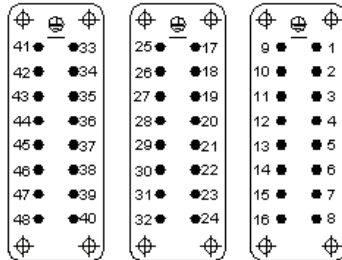
HA 48 SCREW TERMINATED INSERTS



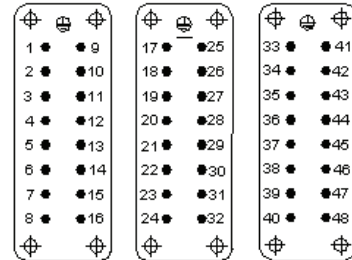
All dimensions are in mm.

View from cable side

Plugs



Receptacles

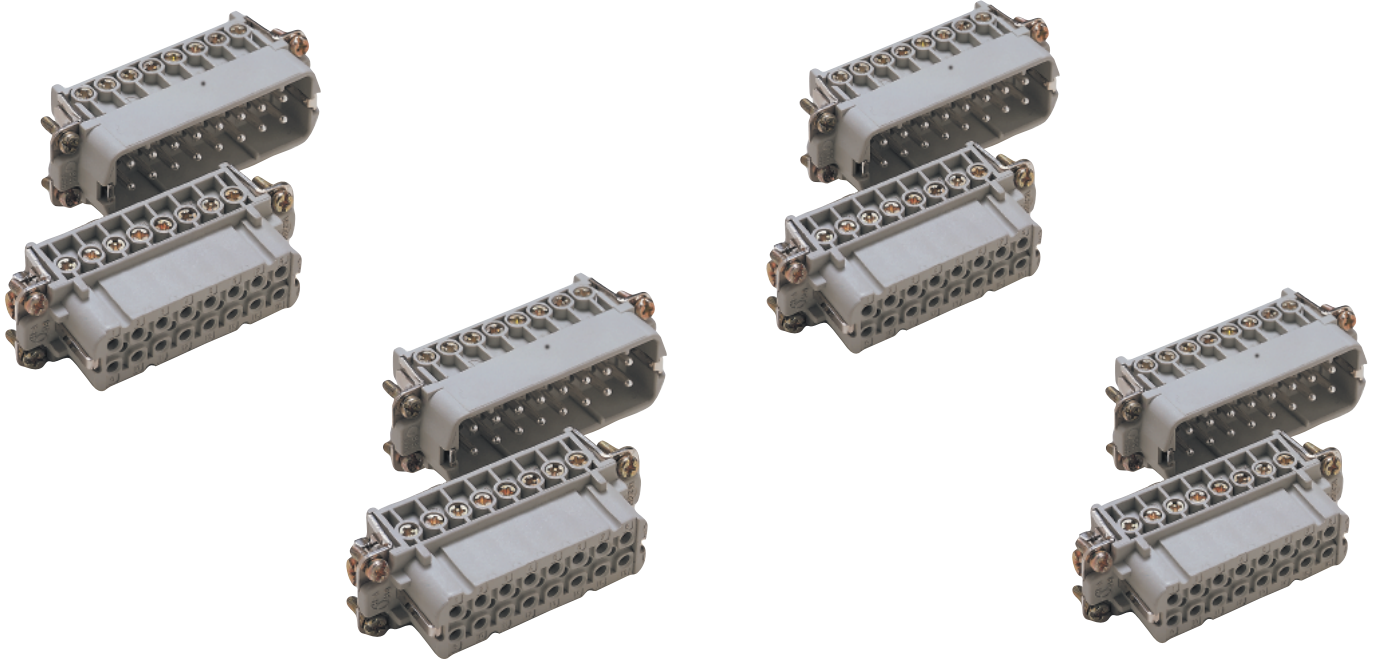


3 Sets of HA 16 Inserts

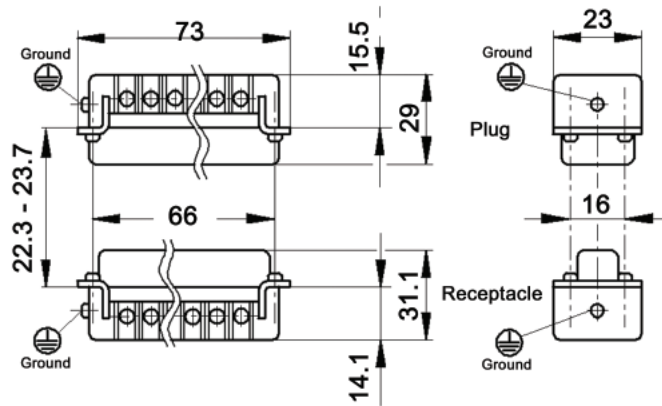
Description	Plug	Receptacle
#1-16 with Wire Protection	10530000	10531000
#17-32 with Wire Protection	10540000	10541000
#33-48: with Wire Protection	10540100	10541100
#1-16 without Wire Protection	10532000	10533000
#17-32 without Wire Protection	10542000	10543000
#33-48: without Wire Protection	10542100	10543100



HA 64 SCREW TERMINATED INSERTS



4 Sets of HA 16 Inserts



All dimensions are in mm.



Description	Plug	Receptacle
#1-16 with Wire Protection	10530000	10531000
#17-32 with Wire Protection	10540000	10541000
#33-48: with Wire Protection	10540100	10541100
#48-64: with Wire Protection	105300LE64	105310LE64