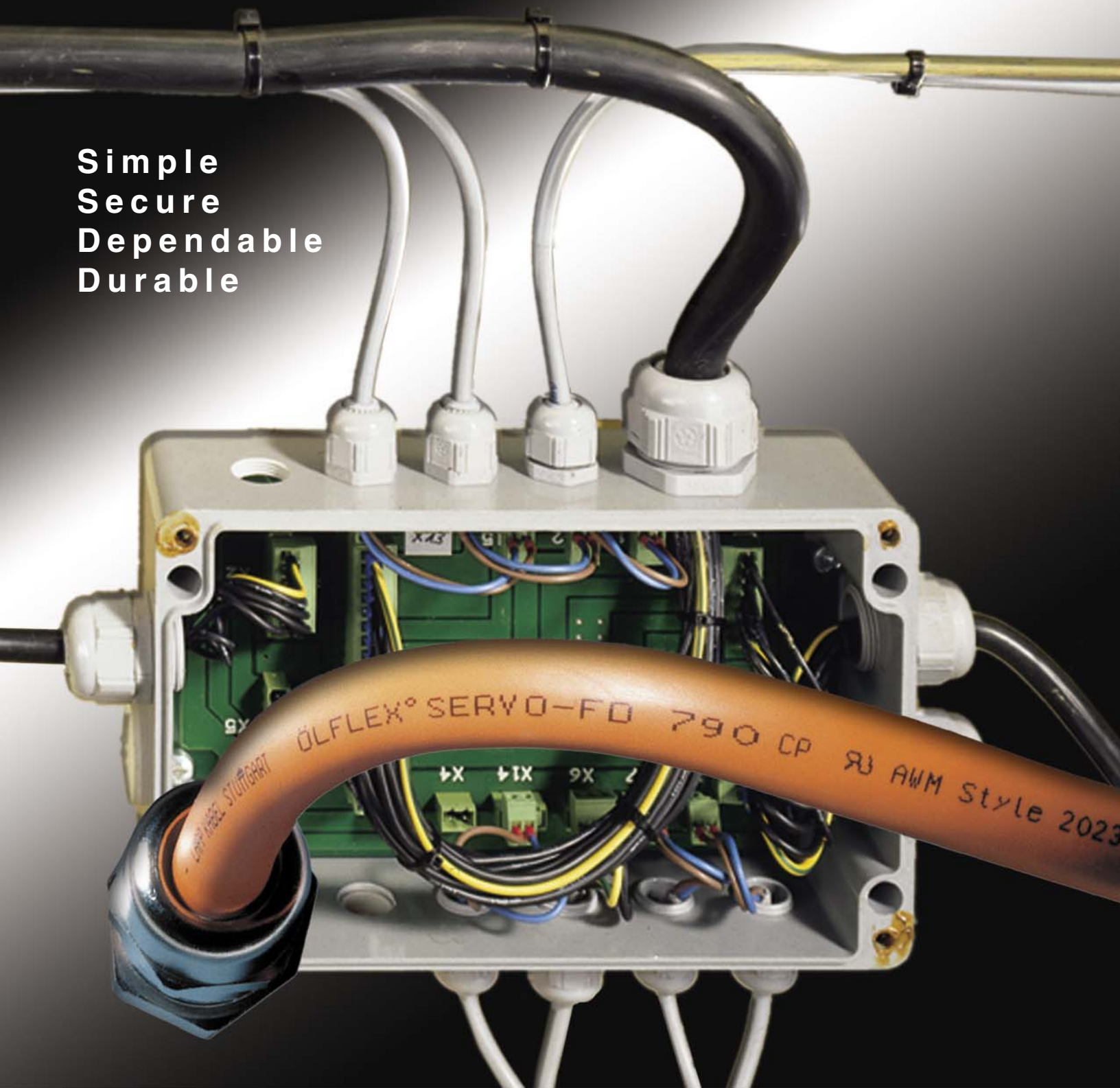


LIQUID TIGHT STRAIN RELIEF

Simple
Secure
Dependable
Durable



SKINTOP®

Non-metallic liquid tight strain relief

Low cost per unit

Fast Installation

- Optimum seal and security for cable feed-throughs
- IP68- 5 Bar liquid & dust tight design (exceeds NEMA 6P)
- Self-locking internationally patented vibration resistant construction
- Large variable clamping range
- Impact resistant plastic





Vibration Proof



Dust Proof



Oil Proof



Washdown Proof

- Easy handling
- NPT, PG, and metric
- ATEX
- Quick install/uninstall
- Prevents wire pinching

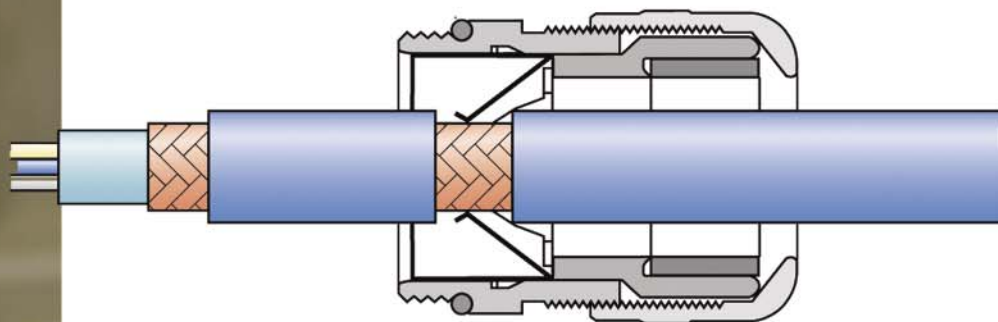


Resistant to salt water, weak acids, weak alkalis, alcohol, ester, ketones, ether, benzene, gas, mineral oil, animal and vegetable oils, gasoline, oil, grease, common solvents, and much more.

SKINTOP®

Metallic strain relief

- Liquid tight design
- Severe impact resistance protection
- EMC shielding.



- SKINTOP® MS-SC glands allow for easy shielding termination of multi-conductor cables

