

EPIC® EAB & EAC Series Industrial Circular Connectors

For power and control signal
transmission applications in the:

- Plastics
- Printing
- Servo Motor
- Robotic
- Machine Tool

industries, and
anywhere a
compact, rugged
connector
is required.

EPIC® EAB & EAC Series circular connectors are modern, rugged, high performance, industrialized versions of the popular MIL-C-5015 military design. They offer a more environmentally friendly, RoHS compliant finish, and superior performance for water tightness, cable strain relief, and EMC shielding.



800-774-3539
www.lappusa.com
www.lappcanada.com
www.lappmexico.com



LAPP GROUP

EPIC® EAB & EAC Industrial Circular Connectors

Performance Characteristics

EPIC® EAB and EAC Series Connectors are available in five housing styles, eight housing sizes, and twenty contact configurations. Common to all arrangements are a rugged nickel plated aluminum alloy body with either threaded coupling (EAC) or bayonet coupling (EAB), thermoplastic rubber contact insert, and silver plated electrical contacts. Cable mounted arrangements are also available with an integral 360 degree EMC shield and cable clamp with environmental seal. The figure below shows the general construction of these connectors. All housings are available with either male pin or female socket contacts.

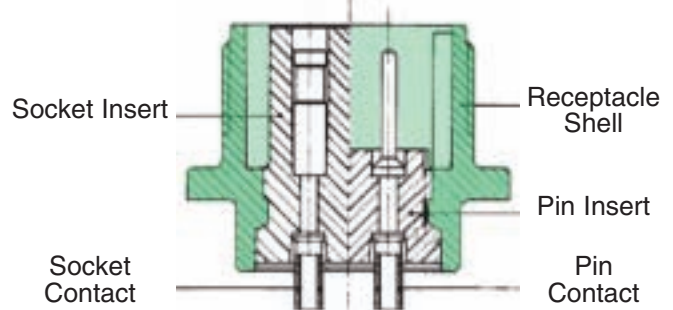
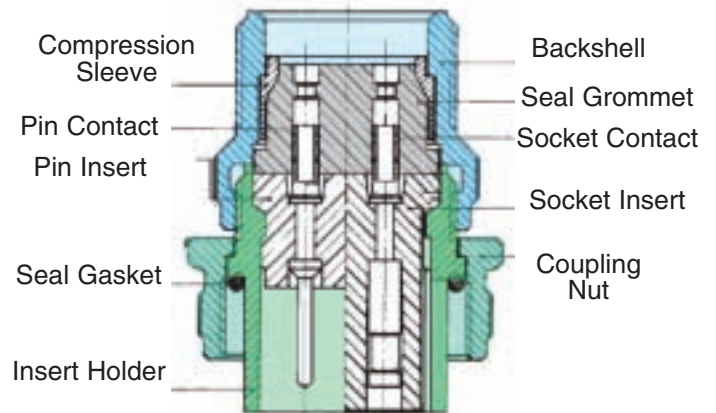
The connectors are offered with insert configurations from 2 to 37 crimp contacts. Used in combination, they connect one cable with another (cable coupler) or a cable to fixed wiring in a control enclosure or on a machine, robot, instrument, or servo motor.

The new connectors incorporate many inherent features offering significant application advantages. These features make it one of the most application friendly connectors available, and insure quick and easy assembly, high reliability, and long, uninterrupted service life in tough industrial environments.

Key features include:

- Rugged Nickel-plated, Aluminum alloy body
- TPE insert material provides high degree of environmental and chemical resistance.
- Available backshell designs provide strain-relief, IP 67 protection, and 360 degree EMC shielding
- All materials used in these connectors are RoHS compliant.
- Standard crimp contacts provide easy field assembly and replacement.
- EAC Series are fully intermateable and interchangeable with connectors produced in accordance with MIL-C-5015 .
- EAB Series uses a three-point Bayonet Coupling which provides positive vibration protection for use with motor drives and moving assemblies. They are fully intermateable and interchangeable with connectors produced in accordance with MIL-C-5015 (inserts) and VG95234 (housings).

Straight Plug Connector



Box Mount Receptacle

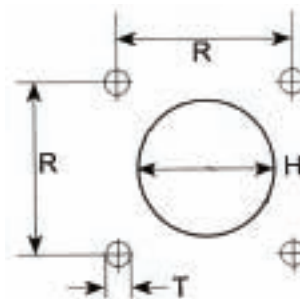
EPIC® EAB & EAC Industrial Circular Connectors

Technical Specifications

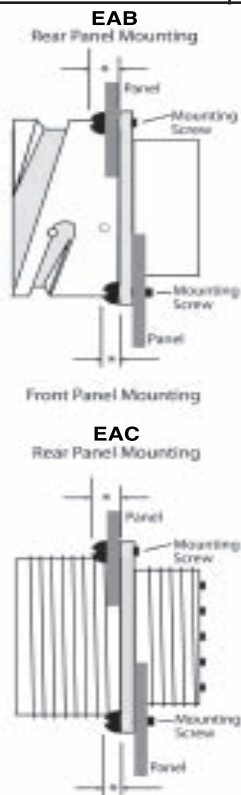
Number of Contacts	2 to 37			
Contact Termination	Crimp			
Contact Wire Range	Contact Size		Wire Gauge (AWG)	
	16		18, 16	
	12		14, 12	
	8		8	
Current Rating	Contact Size	Rated Amps	Test Current (a)	Voltage Drop (mV)
	16	13	20	21
	12	23	35	20
	8	46	60	12
Voltage Rating	Service Rating	Test Voltage AC (rms)	Max. Work Voltage	
			AC (rms)	DC
	Inst	1000	200	250
	A	2000	500	700
	D	2800	900	1250
Mating Cycles	500 minimum			
Jacketed Cables OD (Class J&S)	0.08 to 1.10 inches (2.0 to 28 mm) depending on housing size			

Housing:	Nickel plated aluminum alloy
Contact Insert:	TPE Synthetic Rubber UL 94 V-0
Contact:	Copper alloy, silver plate per QQ-S-365
Gaskets & Seals:	TPE Synthetic Rubber UL94 V-0
Temperature Range:	-55°C to +125°C
Environmental Seal:	Ref MIL-C-5015 (MIL-STD 202/1344) (Class J & S IP67 equiv. mated)
RoHS Compliance:	Yes
Standards:	MIL-C-5015; QQ-S-365; VG95234 (EAB Series)

Panel Cut-out



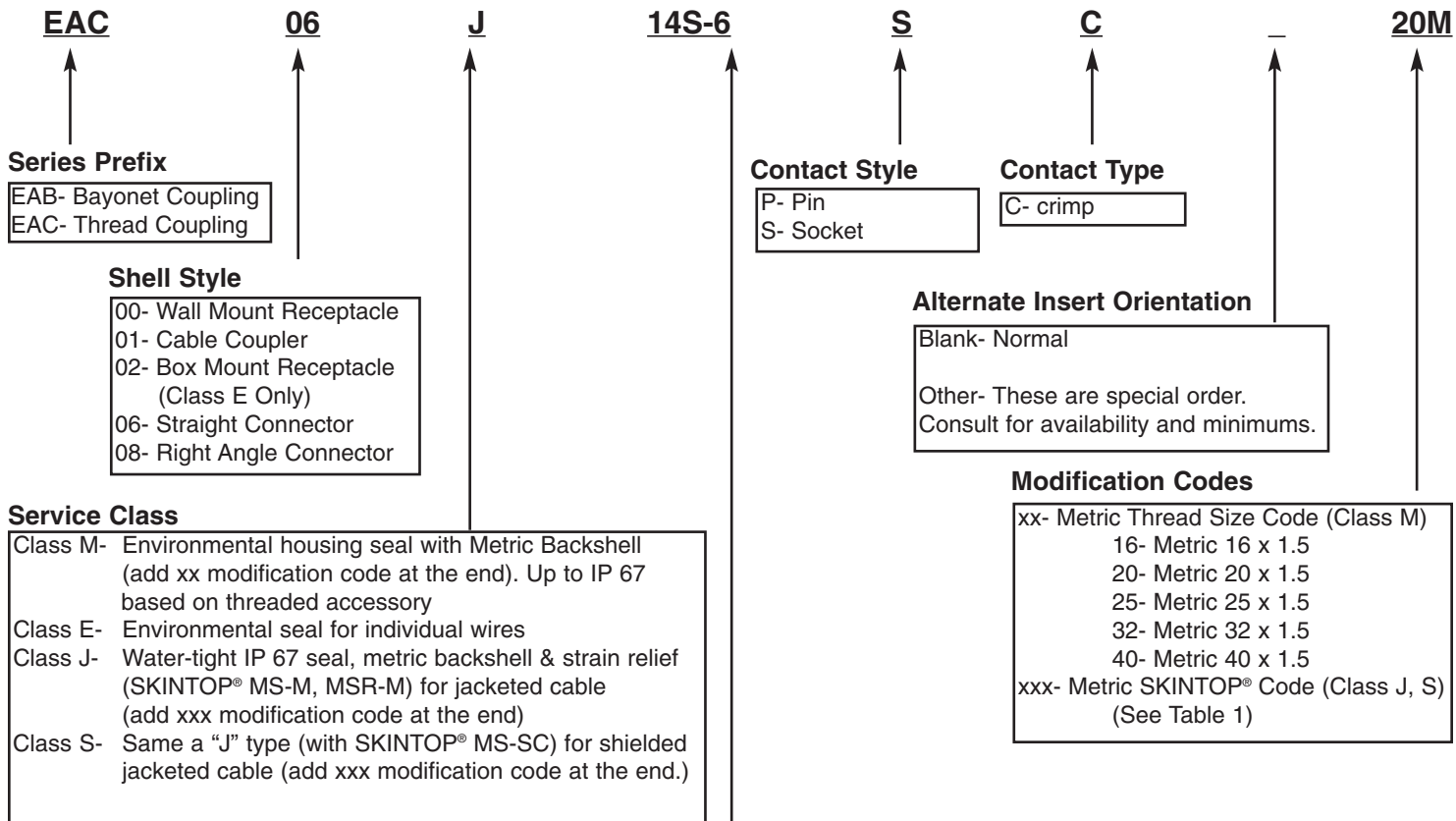
Dimensions in inches (mm)			
Shell Size	H	R	T
10 SL	.650 (16.5)	.717 (18.21)	.130 (3.3)
14S	.774 (19.7)	.906 (23.0)	.130 (3.3)
16S	.900 (22.9)	.969 (24.6)	.130 (3.3)
16	.900 (22.9)	.969 (24.6)	.130 (3.3)
18	1.028 (26.1)	1.063 (27.0)	.130 (3.3)
20	1.150 (29.2)	1.157 (29.4)	.130 (3.3)
22	1.276 (32.4)	1.252 (31.8)	.130 (3.3)
24	1.402 (35.6)	1.374 (34.9)	.157 (4.0)
28	1.650 (41.9)	1.563 (39.7)	.197 (5.0)



Shell Size	Maximum Panel Thickness- inches (mm)							
	EAB Series				EAC Series			
	Front Mount		Rear Mount		Front Mount		Rear Mount	
Screw Height	With Backshell	Without Backshell	Screw + Panel	Screw Height	With Backshell	Without Backshell	Screw + Panel	
10SL	.138 (3.5)	.1 (2.54)	.271 (6.88)	.305 (7.82)	.125 (3.18)	.1 (.254)	.271 (6.88)	.187 (4.75)
14S	.138 (3.5)	.1 (2.54)	.271 (6.88)	.305 (7.82)	.125 (3.18)	.1 (.254)	.271 (6.88)	.187 (4.75)
16S	.138 (3.5)	.1 (2.54)	.271 (6.88)	.305 (7.82)	.125 (3.18)	.1 (.254)	.271 (6.88)	.187 (4.75)
16	.138 (3.5)	.1 (2.54)	.271 (6.88)	.315 (8.0)	.125 (3.18)	.1 (.254)	.271 (6.88)	.125 (3.18)
18	.138 (3.5)	.1 (2.54)	.271 (6.88)	.305 (7.82)	.125 (3.18)	.1 (.254)	.271 (6.88)	.125 (3.18)
20	.138 (3.5)	.1 (2.54)	.271 (6.88)	.305 (7.82)	.125 (3.18)	.1 (.254)	.271 (6.88)	.125 (3.18)
22	.138 (3.5)	.1 (2.54)	.271 (6.88)	.305 (7.82)	.125 (3.18)	.1 (.254)	.271 (6.88)	.125 (3.18)
24	.197 (5.0)	.1 (2.54)	.271 (6.88)	.305 (7.82)	.125 (3.18)	.1 (.254)	.271 (6.88)	.187 (4.75)
28	.197 (5.0)	.1 (2.54)	.271 (6.88)	.315 (8.0)	.125 (3.18)	.1 (.254)	.271 (6.88)	.187 (4.75)

EPIC® EAB & EAC Industrial Circular Connectors

Connector Configuration Coding



Shell Size- Contact Arrangement Code

Code	Shell Size	# of Contacts	Oper Amps	Max. Volts
10SL-3	10	3	13	500
10SL-4	10	2	13	500
14S-2	14	4	13	200
14S-5	14	5	13	200
14S-6	14	6	13	200
16S-1	16	7	13	500
18-1	18	10	13	(6) 200, (4) 500
20-7*	20	8	13	(4) 500, (4) 900
20-16*	20	7+2	13+23	500
20-27	20	14	13	500
20-29	20	17	13	500
20-33*	20	11	13	500
22-14	22	19	13	500
24-7	24	14+2	13+23	500
24-28	24	24	13	200
28-12	28	26	13	500
28-21	28	37	13	500
16-10	16	3	23	500
18-11	18	5	23	500
20-4	20	4	23	900
20-15	20	7	23	500
22-22	22	4	46	500
24-10	24	7	46	500

Metric SKINTOP® Selection (Table 1)


















Code	Thread Size	Shell Size	SKINTOP® Type	Reference	Cable OD Range		Service Class
					mm	inches	
16M	M16	10	MS-M	53112010	4.5 - 10	.177 - .394	J
16R			MSR-M	53112110	2 - 7	.079 - .276	J
16S			MS-SC	53112620	4.5 - 9	.177 - .354	S
20M	M20	14	MS-M	53112020	7 - 13	.276 - .512	J
20R			MSR-M	53112120	5 - 10	.197 - .394	J
20S			MS-SC	53112630	7 - 12.5	.276 - .492	S
25M	M25	16, 18	MS-M	53112030	9 - 17	.354 - .669	J
25R			MSR-M	53112130	6 - 13	.236 - .512	J
25S			MS-SC	53112640	9 - 16.5	.354 - .650	S
32M	M32	20, 22	MS-M	53112040	11 - 21	.433 - .827	J
32R			MSR-M	53112140	7 - 15	.276 - .591	J
32S			MS-SC	53112650	11 - 21	.433 - .827	S
40M	M40	24, 28	MS-M	53112050	19 - 28	.748 - 1.102	J
40R			MSR-M	53112150	15 - 23	.591 - .906	J
40S			MS-SC	53112660	19 - 28	.748 - 1.102	S

* Currently not tooled, consult for availability and minimums.

EPIC® EAB & EAC Industrial Circular Connectors

Insert Configurations

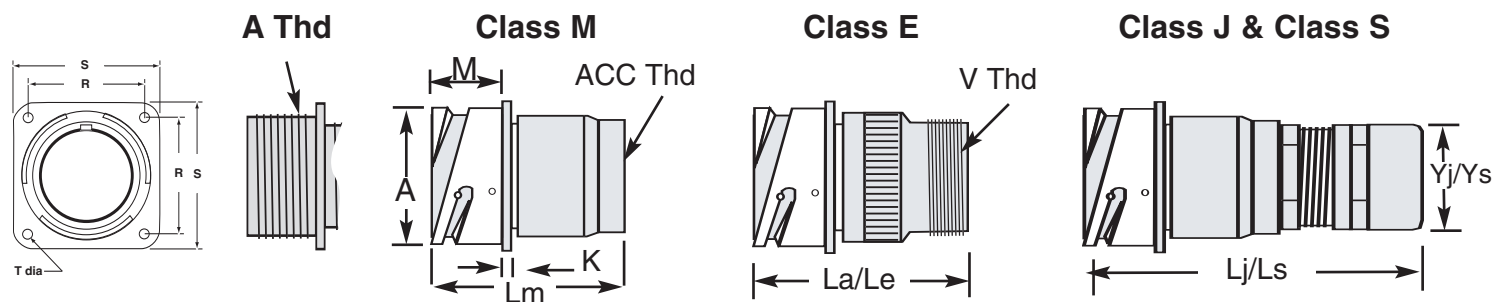
Connector inserts follow standard MIL-C-5015 configurations and are available with either all male or all female contacts.

Shell Size	Insert	No. of Contacts	Voltage Class	Contact Size			Shell Size	Insert	No. of Contacts	Voltage Class	Contact Size			Shell Size	Insert	No. of Contacts	Voltage Class	Contact Size				
				8	12	16					8	12	16					8	12	16		
10		3	A			3	20		4	D			4	22		19	A			19		
	10SL-3							20-4							22-14							
14		2	A			2	20		8	A=B,C, F,G Inst= BAL			8	24		4	A			4		
	10SL-4							20-7*							22-22							
14		4	Inst			4	20		7	A			7	24		16	A			2 14		
	14S-2							20-15							24-7							
		5	Inst			5		20-16*							24-10							
16	14S-5						20		14	A			14	28		24	Inst			24		
	14S-6							20-27							24-28							
		7	A			7		20-29							28-12							
18	16S-1						20		11	A			11	28		37	A			37		
	16-10							20-33*							28-21							
18		10	A=B,C, F,G Inst= BAL			10	<p>Contact Size</p> <p>○ 16 ⊕ 12 ● 8</p> <p>* Currently not tooled, consult for availability and minimums.</p>															
	18-1																					
18		5	A			5	<p>Contact Size</p> <p>○ 16 ⊕ 12 ● 8</p> <p>* Currently not tooled, consult for availability and minimums.</p>															
	18-11																					

EPIC® EAB & EAC Industrial Circular Connectors

Housing Configurations

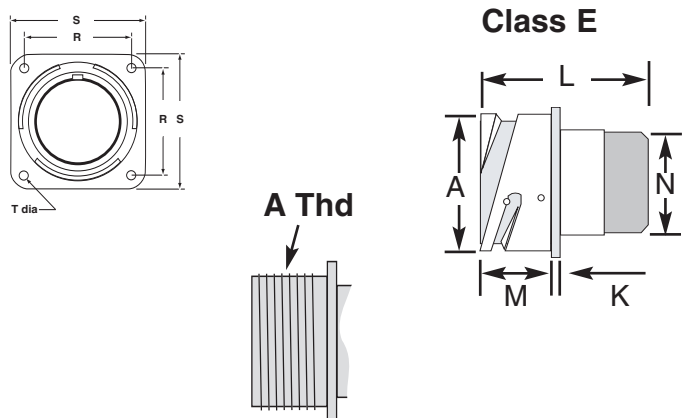
Wall Mount Receptacle (EA_00...)



Dimensions in Inches (Millimeters)														
Shell Size	A	A Thread Class 2A	K	La/Le Max	Lm Max	Lj/Ls Max	M	R	S	T	Yj/Ys Max	Cable OD Nominal *1	Acc Thread	V Thread Class 2 A
10SL	.717 (18.2)	.625-24 UNEF	.110 (2.8)	1.575 (40)	2.317 (58.85)	3.341 (84.86)	.567 (14.4)	.717 (18.21)	1.000 (25.4)	.126 (3.2)	.894 (22.7)	.177 - .354 (4.5 - 9.0)	M16	5/8-24 UNEF
14S	.969 (24.6)	.875-20 UNEF	.126 (3.2)	1.575 (40)	2.317 (58.85)	3.459 (87.86)	.567 (14.4)	.906 (23.0)	1.181 (30.0)	.126 (3.2)	1.075 (27.3)	.276 - .492 (7.0 - 12.5)	M20	3/4-20 UNEF
16S	1.079 (27.4)	1.000-20 UNEF	.126 (3.2)	1.575 (40)	2.317 (58.85)	3.518 (89.36)	.567 (14.4)	.969 (24.6)	1.280 (32.5)	.126 (3.2)	1.280 (32.5)	.354 - .650 (9.0 - 16.5)	M25	7/8-20 UNEF
16	1.079 (27.4)	1.000-20 UNEF	.126 (3.2)	2.016 (51.2)	2.758 (70.05)	3.959 (100.6)	.756 (19.2)	.969 (24.6)	1.280 (32.5)	.126 (3.2)	1.280 (32.5)	.354 - .650 (9.0 - 16.5)	M25	7/8-20 UNEF
18	1.213 (30.8)	1.125-18 UNEF	.154 (3.9)	2.016 (51.21)	2.758 (70.05)	3.959 (100.6)	.756 (19.2)	1.063 (27.0)	1.378 (35.0)	.126 (3.2)	1.280 (32.5)	.354 - .650 (9.0 - 16.5)	M25	1-20 UNEF
20	1.346 (34.2)	1.250-18 UNEF	.154 (3.9)	2.016 (51.21)	2.953 (75.01)	4.390 (111.5)	.756 (19.2)	1.157 (29.4)	1.496 (38)	.126 (3.2)	1.594 (40.5)	.433 - .827 (11.0 - 21.0)	M32	1 3/16-18 UNEF
22	1.472 (37.4)	1.375-18 UNEF	.154 (3.9)	2.016 (51.21)	2.953 (75.01)	4.390 (111.5)	.756 (19.2)	1.252 (31.8)	1.614 (41)	.126 (3.2)	1.594 (40.5)	.433 - .827 (11.0 - 21.0)	M32	1 3/16-18 UNEF
24	1.610 (40.9)	1.500-18 UNEF	.154 (3.9)	2.067 (52.50)	3.004 (76.30)	4.540 (115.3)	.819 (20.8)	1.374 (34.9)	1.752 (44.5)	.146 (3.7)	2.016 (51.2)	.748 - 1.102 (19.0 - 28.0)	M40	1 7/16-18 UNEF
28	1.839 (46.7)	1.750-18 UNEF	.154 (3.9)	2.382 (60.50)	3.319 (84.30)	4.855 (123.3)	.819 (20.8)	1.563 (39.7)	2.000 (50.8)	.146 (3.7)	2.016 (51.2)	.748 - 1.102 (19.0 - 28.0)	M40	1 7/16-18 UNEF

*1 For exact OD range see SKINTOP® MS-M or MS-SC-M in Lapp Group Main Catalog.

Box Mount Receptacle (EA_02...)



Dimensions in Inches (Millimeters)									
Shell Size	A	A Thread	K	L	M	N	R	S	T
10SL	See Table Above	See Table Above	See Table Above	.972 (24.7)	See Table Above	.630 (16.0)	See Table Above	See Table Above	See Table Above
14S				.972 (24.7)		.754 (19.15)			
16S				.972 (24.7)		.880 (22.35)			
16				1.358 (34.5)		.880 (22.35)			
18				1.358 (34.5)		1.008 (25.6)			
20				1.358 (34.5)		1.130 (28.7)			
22				1.358 (34.5)		1.492 (37.9)			
24				1.409 (35.8)		1.382 (35.1)			
28				1.409 (35.8)		1.630 (41.4)			

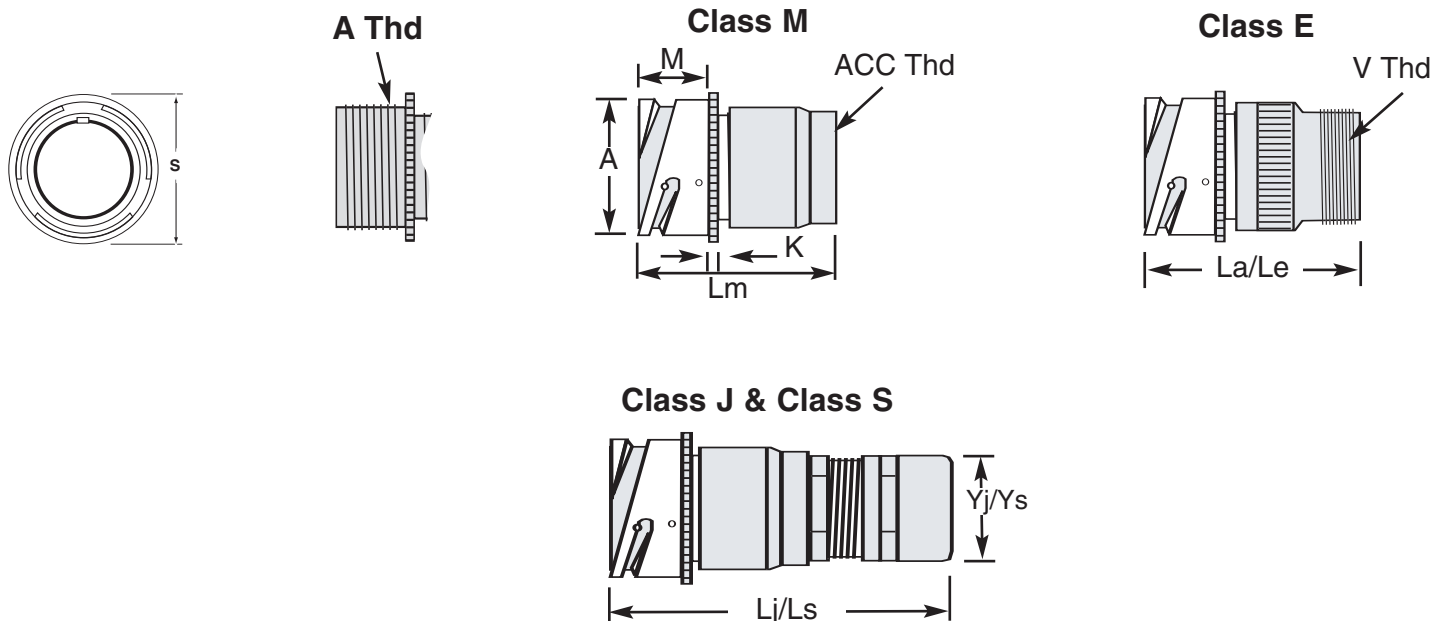
Application: Wall/box mounting connector. Mates with housing styles EA_06..., EA_08...

Note: L* dimension equals total connector length including cable accessory.

EPIC® EAB & EAC Industrial Circular Connectors

Housing Configurations

Cable Coupler Receptacle (EA_01...)



Dimensions in Inches (Millimeters)												
Shell Size	A	A Thread Class 2A	K	La/Le Max	Lm Max	Lj/Ls Max	M	S	Yj/Ys Max	Cable OD Nominal *1	Acc Thread	V Thread Class 2 A
10SL	.717 (18.2)	.625-24 UNEF	.110 (2.8)	1.575 (40)	2.317 (58.85)	3.341 (84.86)	.567 (14.4)	.976 (24.8)	.894 (22.7)	.177 - .354 (4.5 - 9.0)	M16	5/8-24 UNEF
14S	.969 (24.6)	.875-20 UNEF	.126 (3.2)	1.575 (40)	2.317 (58.85)	3.459 (87.86)	.567 (14.4)	1.165 (29.6)	1.075 (27.3)	.276 - .492 (7.0 - 12.5)	M20	3/4-20 UNEF
16S	1.079 (27.4)	1.000-20 UNEF	.126 (3.2)	1.575 (40)	2.317 (58.85)	3.518 (89.36)	.567 (14.4)	1.260 (32.0)	1.280 (32.5)	.354 - .650 (9.0 - 16.5)	M25	7/8-20 UNEF
16	1.079 (27.4)	1.000-20 UNEF	.126 (3.2)	2.016 (51.2)	2.758 (70.05)	3.959 (100.6)	.756 (19.2)	1.260 (32.0)	1.280 (32.5)	.354 - .650 (9.0 - 16.5)	M25	7/8-20 UNEF
18	1.213 (30.8)	1.125-18 UNEF	.154 (3.9)	2.016 (51.2)	2.758 (70.05)	3.959 (100.6)	.756 (19.2)	1.343 (34.1)	1.280 (32.5)	.354 - .650 (9.0 - 16.5)	M25	1-20 UNEF
20	1.346 (34.2)	1.250-18 UNEF	.154 (3.9)	2.016 (51.2)	2.953 (75.01)	4.390 (111.5)	.756 (19.2)	1.500 (38.1)	1.594 (40.5)	.433 - .827 (11.0 - 21.0)	M32	1 3/16-18 UNEF
22	1.472 (37.4)	1.375-18 UNEF	.154 (3.9)	2.016 (51.2)	2.953 (75.01)	4.390 (111.5)	.756 (19.2)	1.622 (41.2)	1.594 (40.5)	.433 - .827 (11.0 - 21.0)	M32	1 3/16-18 UNEF
24	1.610 (40.9)	1.500-18 UNEF	.154 (3.9)	2.067 (52.50)	3.004 (76.30)	4.540 (115.3)	.819 (20.8)	1.764 (44.8)	2.016 (51.2)	.748 - 1.102 (19.0 - 28.0)	M40	1 7/16-18 UNEF
28	1.839 (46.7)	1.750-18 UNEF	.154 (3.9)	2.382 (60.50)	3.319 (84.30)	4.855 (123.3)	.819 (20.8)	2.012 (51.1)	2.016 (51.2)	.748 - 1.102 (19.0 - 28.0)	M40	1 7/16-18 UNEF

*1 For exact OD range see SKINTOP® MS-M or MS-SC-M in Lapp Group Main Catalog.

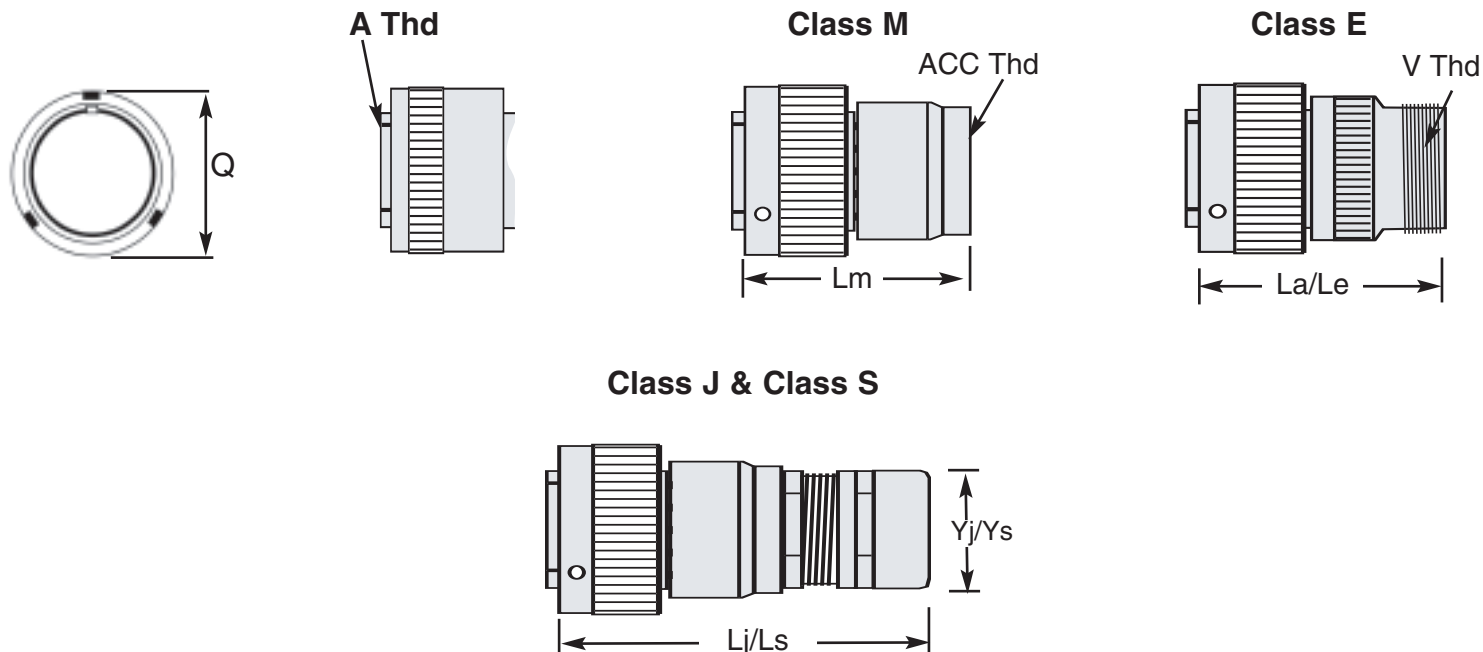
Application: Cable coupler receptacle. Mates with housing styles EA_06... and EA_08...

Note: L* dimension equals total connector length including cable accessory.

EPIC® EAB & EAC Industrial Circular Connectors

Housing Configurations

Straight Plug Connector (EA_06...)



Dimensions in Inches (Millimeters)										
Shell Size	A Thread Class 2A	La/Le Max	Lm Max	Lj/Ls Max	EAB Q	EAC Q	Yj/Ys Max	Cable OD Nominal *1	Acc Thread	V Thread Class 2 A
10SL	.625-24 UNEF	1.575 (40)	2.317 (58.85)	3.341 (84.86)	.866 (22.0)	.906 (23.0)	.894 (22.7)	.177 - .354 (4.5 - 9.0)	M16	5/8-24 UNEF
14S	.875-20 UNEF	1.575 (40)	2.317 (58.85)	3.459 (87.86)	1.142 (29.0)	1.102 (28.0)	1.075 (27.3)	.276 - .492 (7.0 - 12.5)	M20	3/4-20 UNEF
16S	1.000-20 UNEF	1.575 (40)	2.317 (58.85)	3.518 (89.36)	1.252 (31.8)	1.240 (31.5)	1.280 (32.5)	.354 - .650 (9.0 - 16.5)	M25	7/8-20 UNEF
16	1.000-20 UNEF	2.016 (51.2)	2.758 (70.05)	3.959 (100.6)	1.252 (31.8)	1.240 (31.5)	1.280 (32.5)	.354 - .650 (9.0 - 16.5)	M25	7/8-20 UNEF
18	1.125-18 UNEF	2.016 (51.21)	2.758 (70.05)	3.959 (100.6)	1.433 (36.4)	1.343 (34.1)	1.280 (32.5)	.354 - .650 (9.0 - 16.5)	M25	1-20 UNEF
20	1.250-18 UNEF	2.016 (51.21)	2.953 (75.01)	4.390 (111.5)	1.567 (39.8)	1.469 (37.3)	1.594 (40.5)	.433 - .827 (11.0 - 21.0)	M32	1 3/16-18 UNEF
22	1.375-18 UNEF	2.016 (51.21)	2.953 (75.01)	4.390 (111.5)	1.693 (43.0)	1.587 (40.3)	1.594 (40.5)	.433 - .827 (11.0 - 21.0)	M32	1 3/16-18 UNEF
24	1.500-18 UNEF	2.067 (52.50)	3.004 (76.30)	4.540 (115.3)	1.831 (46.5)	1.713 (43.5)	2.016 (51.2)	.748 - 1.102 (19.0 - 28.0)	M40	1 7/16-18 UNEF
28	1.750-18 UNEF	2.382 (60.50)	3.319 (84.30)	4.855 (123.3)	2.067 (52.5)	1.945 (49.4)	2.016 (51.2)	.748 - 1.102 (19.0 - 28.0)	M40	1 7/16-18 UNEF

*1 For exact OD range see SKINTOP® MS-M or MS-SC-M in Lapp Group Main Catalog.

Application: Straight plug connector.

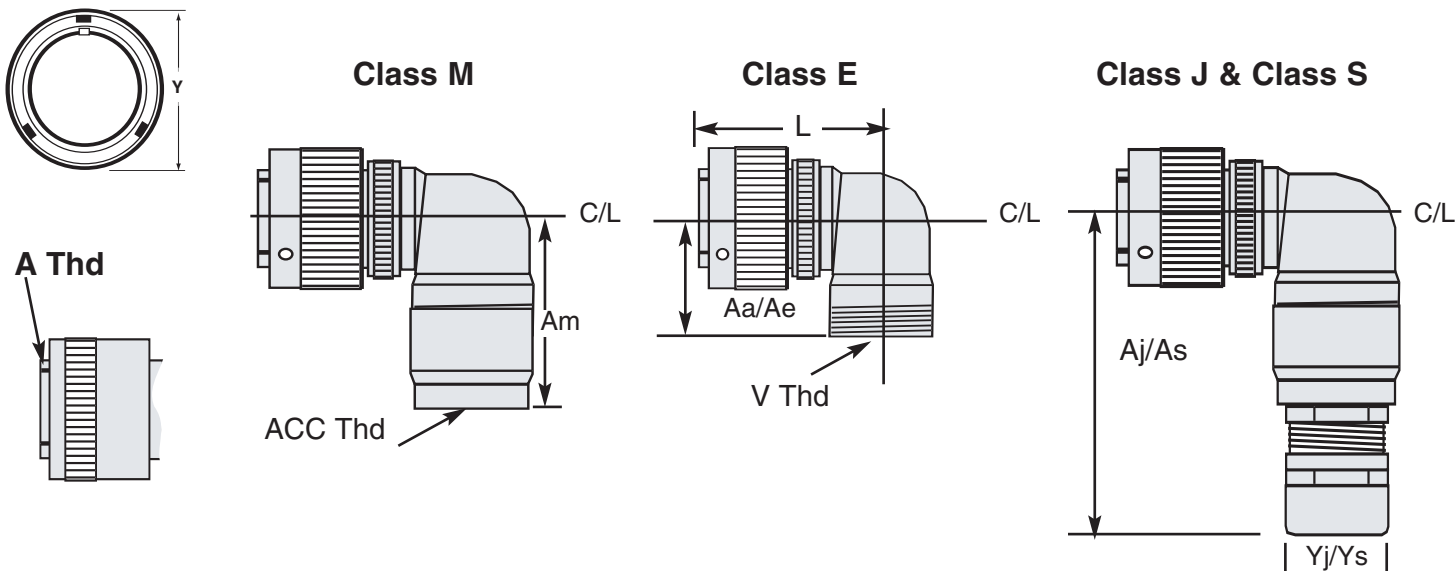
Mates with housing styles EA_00...; EA_01...; EA_02...

Note: L* dimension equals total connector length including cable accessory

EPIC® EAB & EAC Industrial Circular Connectors

Housing Configurations

Right Angle Plug Connector (EA_08...)



Dimensions in Inches (Millimeters)											
Shell Size	A Thread Class 2A	L	Aa/Ae	Am	Aj/As	EAB Y	EAC Y	Yj/Ys Max	Cable OD Nominal *1	Acc Thread	V Thread Class 2 A
10SL	.625-24 UNEF	1.512 (38.4)	.945 (24.0)	2.294 (58.3)	3.318 (84.3)	.894 (22.7)	.906 (23.0)	.894 (22.7)	.177 - .354 (4.5 - 9.0)	M16	5/8-24 UNEF
14S	.875-20 UNEF	1.571 (39.9)	1.031 (26.2)	2.375 (60.3)	3.517 (89.3)	1.142 (29.0)	1.102 (28.0)	1.075 (27.3)	.276 - .492 (7.0 - 12.5)	M20	3/4-20 UNEF
16S	1.000-20 UNEF	1.701 (43.2)	1.094 (27.8)	2.438 (61.9)	3.639 (92.4)	1.252 (31.8)	1.240 (31.5)	1.280 (32.5)	.354 - .650 (9.0 - 16.5)	M25	7/8-20 UNEF
16	1.000-20 UNEF	2.089 (53.1)	1.094 (27.8)	2.493 (63.3)	3.694 (93.8)	1.252 (31.8)	1.240 (31.5)	1.280 (32.5)	.354 - .650 (9.0 - 16.5)	M25	7/8-20 UNEF
18	1.125-18 UNEF	2.195 (55.8)	1.189 (30.2)	2.588 (65.7)	3.789 (96.2)	1.433 (36.4)	1.343 (34.1)	1.280 (32.5)	.354 - .650 (9.0 - 16.5)	M25	1-20 UNEF
20	1.250-18 UNEF	2.315 (58.8)	1.252 (31.8)	NA	NA	1.567 (39.8)	1.469 (37.3)	NA	NA	NA	1 3/16-18 UNEF
22	1.375-18 UNEF	2.417 (61.4)	1.319 (33.5)	NA	NA	1.693 (43.0)	1.587 (40.3)	NA	NA	NA	1 3/16-18 UNEF
24	1.500-18 UNEF	2.465 (62.6)	1.378 (35.0)	NA	NA	1.831 (46.5)	1.713 (43.5)	NA	NA	NA	1 7/16-18 UNEF
28	1.750-18 UNEF	2.555 (64.9)	1.476 (37.5)	NA	NA	2.067 (52.5)	1.965 (49.4)	NA	NA	NA	1 7/16-18 UNEF

*1 For exact OD range see SKINTOP® MS-M or MS-SC-M in Lapp Group Main Catalog.

Application: Right angle plug connector.

Mates with housing styles EA_00...; EA_01...; and EA_02...

Note: A* dimension equals total length from center line including cable accessory

EPIC® EAB & EAC Industrial Circular Connectors

Tools & Accessories

Panel Gasket



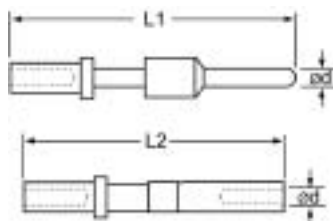
Shell Size	Flat Panel Gasket
10	61U05315
14	61U05316
16	61U05317
18	61U05318
20	61U05319
22	61U05320
24	61U05321
28	61U05322

Grommet Hole Seal Plug



Contact Size	Color	Part Number
16	Blue	61U05332
12	Yellow	61U05333
8	White	61U05334

Crimp Contacts: Spares only- Basic connector includes contact

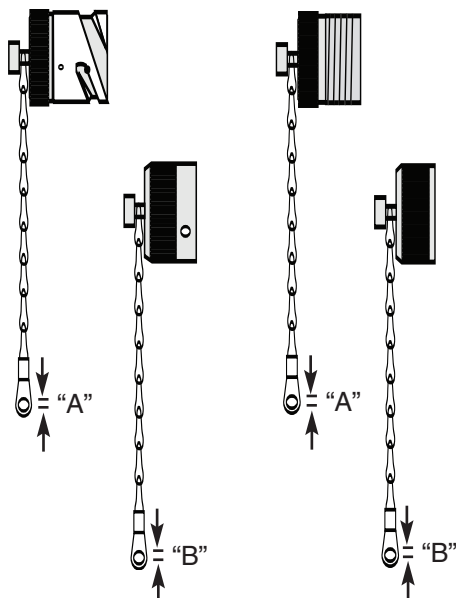


Contact Size	mm ²	AWG	L1 inches (mm)	L2 inches (mm)	ød inches (mm)	Pin	Socket	Strip Length inch (mm)
16S	1 - 1.5	18 - 16	1.050 (26.7)	1.050 (26.7)	.062 (1.6)	61U05335	61U05339	.312 (7.9)
16	1 - 1.5	18 - 16	1.250 (31.7)	1.440 (36.5)	.062 (1.6)	61U05336	61U05340	
12	2.5 - 4.0	14 - 12	1.480 (37.7)	1.480 (37.7)	.093 (2.4)	61U05337	61U05341	
8	10	8	1.660 (42.0)	1.660 (42.0)	.141 (3.6)	61U05338	61U05342	.563 (14.3)

Connector Dust Caps

EAB Series

EAC Series



Shell Size	EAB Series		EAC Series	
	Plug Cap*	Receptacle Cap*	Plug Cap*	Receptacle Cap*
10SL	61U05367	61U05359	61U05351	61U05343
14S	61U05368	61U05360	61U05352	61U05344
16/16S	61U05369	61U05361	61U05353	61U05345
18	61U05370	61U05362	61U05354	61U05346
20	61U05371	61U05363	61U05355	61U05347
22	61U05372	61U05364	61U05356	61U05348
24	61U05373	61U05365	61U05357	61U05349
28	61U05374	61U05366	61U05358	61U05350

*Protective plug caps for use with EA_06... and EA_08... connectors

*Protective receptacle caps for use with EA_00...; EA_01...; and EA_02... connectors

Shell Size	Chain Hole Diameter	
	Plug Cap "A" in/(mm)	Receptacle Cap "B" (in/mm)
10SL	.157 (4.0)	.142 (3.6)
14S	.157 (4.0)	.142 (3.6)
16/16S	.157 (4.0)	.142 (3.6)
18	.157 (4.0)	.142 (3.6)
20	.189 (4.8)	.142 (3.6)
22	.189 (4.8)	.142 (3.6)
24	.189 (4.8)	.167 (4.25)
28	.189 (4.8)	.167 (4.25)

EPIC® EAB & EAC Industrial Circular Connectors

Tools & Accessories

							
Contact Size	mm ²	AWG	Crimp Tool	Turret Head	Crimp Gage Go-No Go	Insertion Tool	Removal Tool
16S	1 - 1.5	18 - 16	61U05397 (AF8-M22520/1-01)	61U05398 (TH1A-M22420/1-02)	61U05399 (G125-M22520/1-01)	61U05400 (DAK55-16A)	61U05403 (DRK56-16A)
16	1 - 1.5	18 - 16				61U05401 (DAK55-12A)	61U05404 (DRK56-12A)
12	2.5 - 4.0	14 - 12				61U05402 (DAK55-8B)	61U05405 (DRK56-8B)
8	10	8	*1	*1	*1		

* Requires pneumatic crimp tool and positioner as manufactured by Pico Crimping Tool Co. or Daniels Manufacturing Corporation

SKINDICHT® Reducers, Enlargers, and Adapters

For use with Class M connectors

						
Shell Size	Class M Thread	Reducers	Enlargers	Metric to NPT	Metric to PG "A"	Metric to PG "B"
10SL	M16	M16/ M12 52104310	M16/ M20 52104452	M16/ 1/2" 54020100	M16/ PG7 52104200	M16/ PG9 52104340
14S	M20	M20/ M16 52104312	M20/ M25 52104454	M20/ 1/2" 54020110	M20/ PG9 52104210	M20/ PG11 52104360
16S/16	M25	M25/ M20 52104314	M25/ M32 52104456	M25/ 3/4" 54020130	M25/ PG16 52104240	M25/ PG21 52104400
18	M32	M32/ M25 52104316	M32/ M40 52104458	M32/ 1" 54020152	M32/ PG21 52104260	M32/ PG29 52104410
20		M40/ M32 52104318	M40/ M50 52104460	M40/ 1 1/4" 54020153	M40/ PG21 52104270	M40/ PG36 52104420
22	M40	M40/ M32 52104318				
24						
28						

EPIC® EAB & EAC Series

Cable Applications

The EAB and EAC Series connectors are ideal for use with industrial power and control cables. Based on the specific application, a wide variety of cable/connector combinations is possible. The table below provides a sampling of the possibilities.



Application	Power	Control
Stationary/ Flexible	OLFLEX® 190/ 190 CY	OLFLEX® 190/ 190 CY
	OLFLEX® TRAY II/ II CY	OLFLEX® TRAY II/ II CY
	OLFLEX® POWER IX	OLFLEX® CONTROL M
	OLFLEX® POWER QUAD II	OLFLEX® CONTROM TM
	OLFLEX® VFD SLIM	OLFLEX® CONTROL COLD
	OLFLEX® SERVO 709 CY	OLFLEX® AUTO I
	OLFLEX® TC 600	OLFLEX® TC 600
Continuous Flex	OLFLEX® FD 890/ 890 CY	OLFLEX® FD 890/ 890 CY
	OLFLEX® FD 891/ 891 CY	OLFLEX® FD 891/ 891 CY
	OLFLEX® 890P/ 890 CP	OLFLEX® 890P/ 890 CP
	OLFLEX® 891P/ 891 CP	OLFLEX® 891P/ 891 CP
	OLFLEX® FD 890 MTW/ 890 CY MTW	OLFLEX® FD 890 MTW/ 890 CY MTW
	OLFLEX® ROBOT 900 P	OLFLEX® ROBOT 900 P
		OLFLEX® AUTO-X

